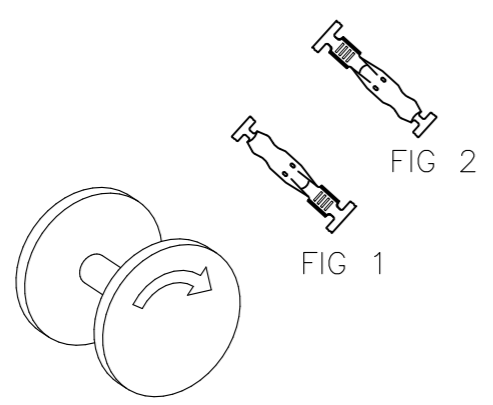
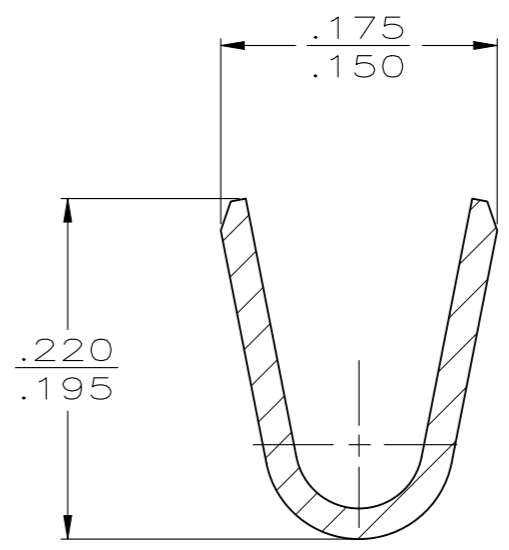
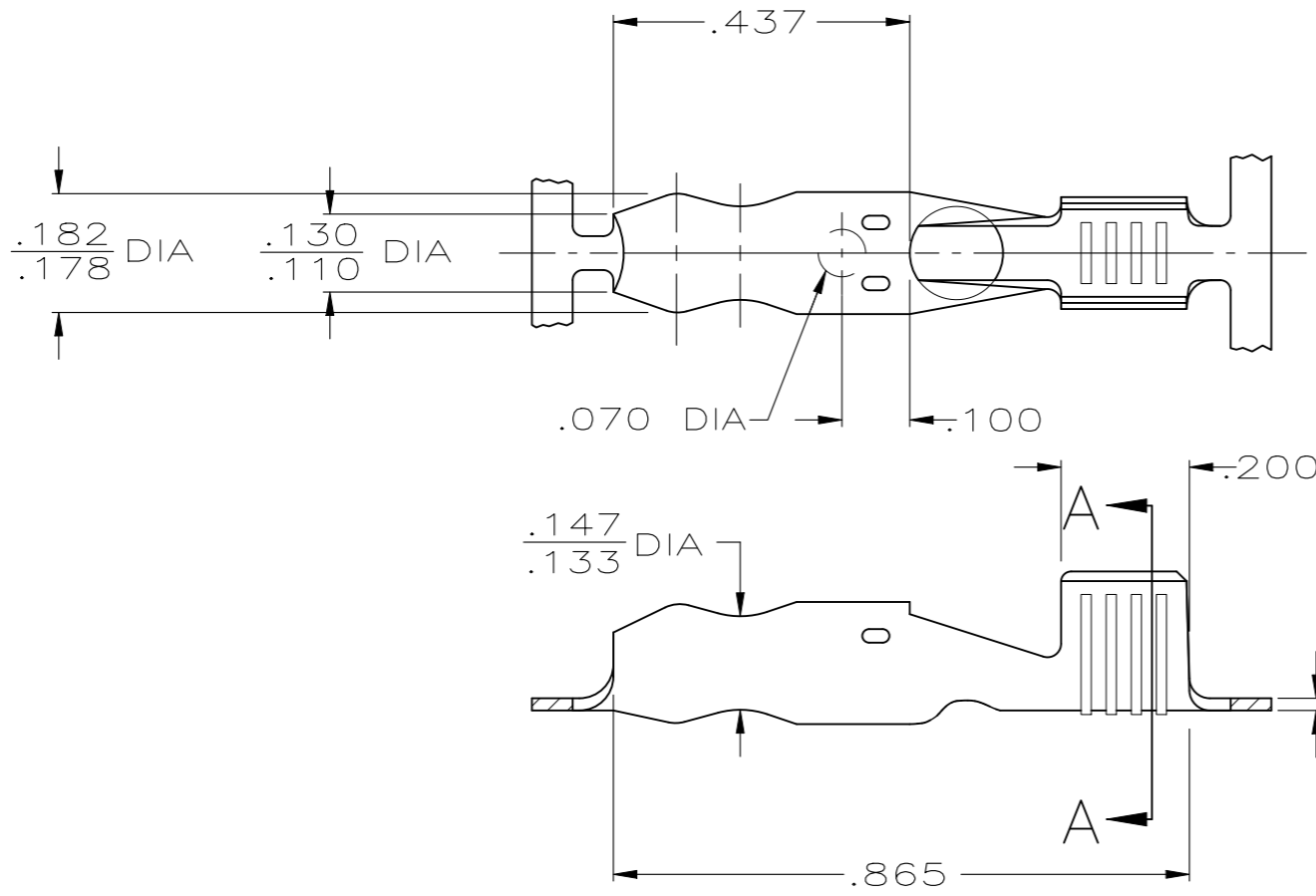


THIS DRAWING IS UNPUBLISHED. RELEASED FOR PUBLICATION
 © COPYRIGHT - TE Connectivity Ltd. ALL RIGHTS RESERVED.

REVISIONS				
P	LTR	DESCRIPTION	DATE	APVD
	AG1	REVISED PER ECR-24-209521	28MAY2024	DB BW

- 1 \triangle .000080 MIN TIN PLATE PER ASTM-B545 OVER
.000050 MIN NICKEL UNDERPLATE PER QQ-N-290.
- 2 WIRE SIZE IS #14-#10 AWG, 9600 CMA MAX.



OBSOLETE	FIG 1	\triangle	1/4 HARD BRASS	42865-5
	FIG 1	TIN PL .000080 MIN THK ASTM-B545	1/4 HARD BRASS	42865-3
OBSOLETE	FIG 2		1/4 HARD BRASS	42865-2
	FIG 1	NONE	1/4 HARD BRASS	42865-1
	REELING DIRECTION	FINISH	MATERIAL	PART NO.

THIS DRAWING IS A CONTROLLED DOCUMENT.		DWN DK SCHRUM 3/27/89		
		CHK PM FORTNEY 3/27/89		
DIMENSIONS: INCHES	TOLERANCES UNLESS OTHERWISE SPECIFIED:	APVD G YETTER 3/27/89	NAME SHUR PLUG, .180 DIA	
	0 PLC ± - 1 PLC ± - 2 PLC ± - 3 PLC ± .015 4 PLC ± - ANGLES ± -	PRODUCT SPEC -	SIZE A3	CAGE CODE 00779
MATERIAL SEE TABLE	FINISH SEE TABLE	APPLICATION SPEC -	DRAWING NO C=42865	RESTRICTED TO -
CUSTOMER DRAWING			SCALE 4:1	SHEET 1 OF 1
			REV AG1	