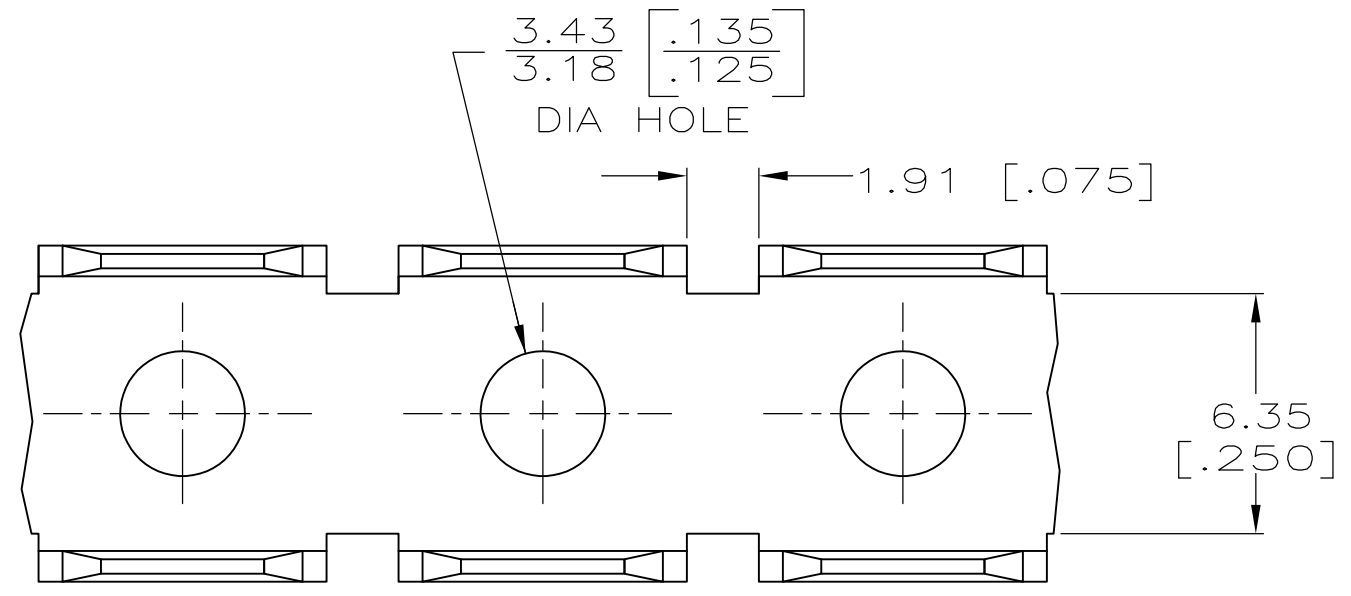
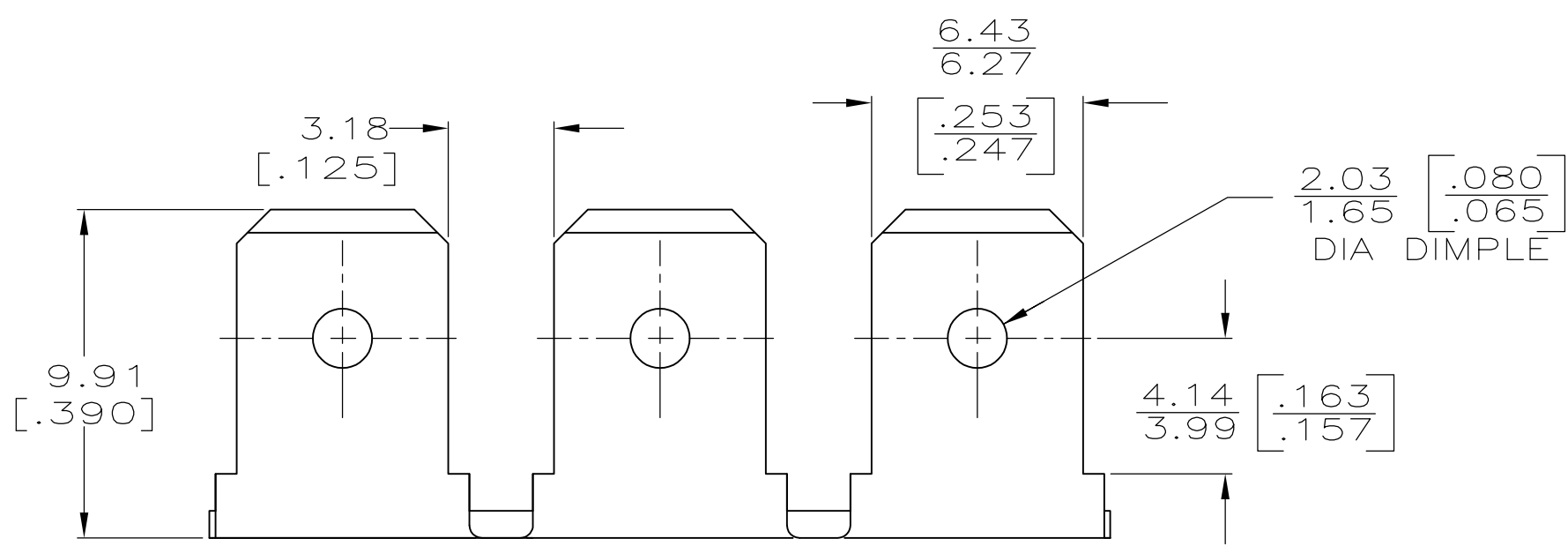
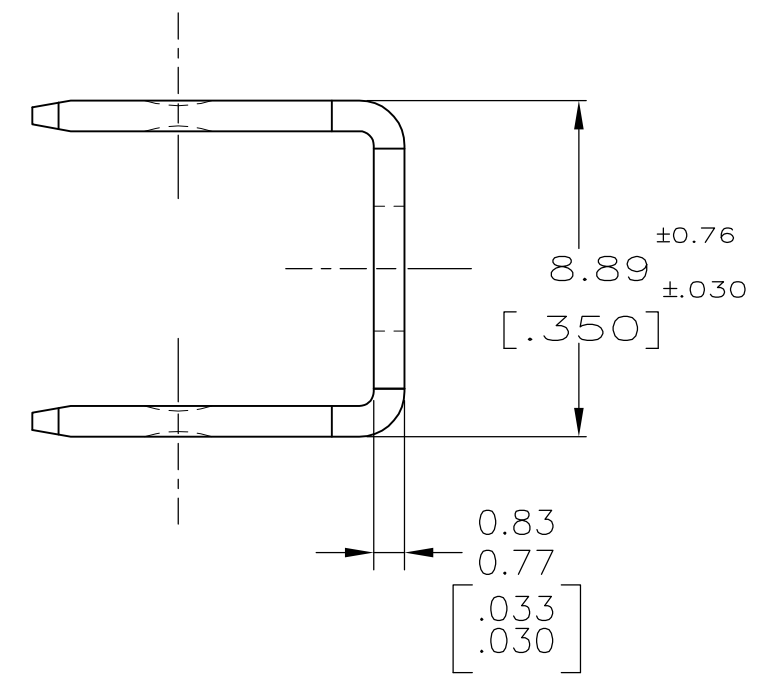


THIS DRAWING IS UNPUBLISHED. RELEASED FOR PUBLICATION
 © COPYRIGHT - By - ALL RIGHTS RESERVED.


LOC	DIST	REVISIONS			
P	LTR	DESCRIPTION	DATE	DWN	APVD
AF	50	AN	REVISED PER ECR-13-011489	07DEC2013	KH PD



1 CONTINUOUS STRIP ON REELS.



-	42115-6
TIN	42115-4
FINISH	PART NO

THIS DRAWING IS A CONTROLLED DOCUMENT.		DWN	JR RUTH	12/2/91	 TE Connectivity											
DIMENSIONS: mm [INCHES]		CHK	MS FEHER	12/2/91												
TOLERANCES UNLESS OTHERWISE SPECIFIED:		APVD	MEYERS	12/2/91												
<table border="0"> <tr><td>0 PLC</td><td>± -</td></tr> <tr><td>1 PLC</td><td>± -</td></tr> <tr><td>2 PLC</td><td>± -</td></tr> <tr><td>3 PLC</td><td>± 0.38 [015]</td></tr> <tr><td>4 PLC</td><td>± -</td></tr> <tr><td>ANGLES</td><td>± -</td></tr> </table>		0 PLC	± -	1 PLC		± -	2 PLC	± -	3 PLC	± 0.38 [015]	4 PLC	± -	ANGLES	± -	NAME	
0 PLC	± -															
1 PLC	± -															
2 PLC	± -															
3 PLC	± 0.38 [015]															
4 PLC	± -															
ANGLES	± -															
MATERIAL	BRASS	FINISH	SEE TABLE	PRODUCT SPEC	-											
APPLICATION SPEC		-		SIZE	A3											
CUSTOMER DRAWING		WEIGHT	-	CAGE CODE	00779											
SCALE		5:1	DRAWING NO		C-42115											
SHEET		1 OF 1	RESTRICTED TO		-											
REV		AN														