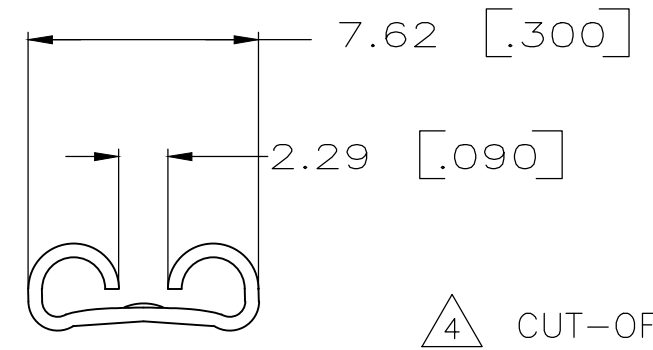
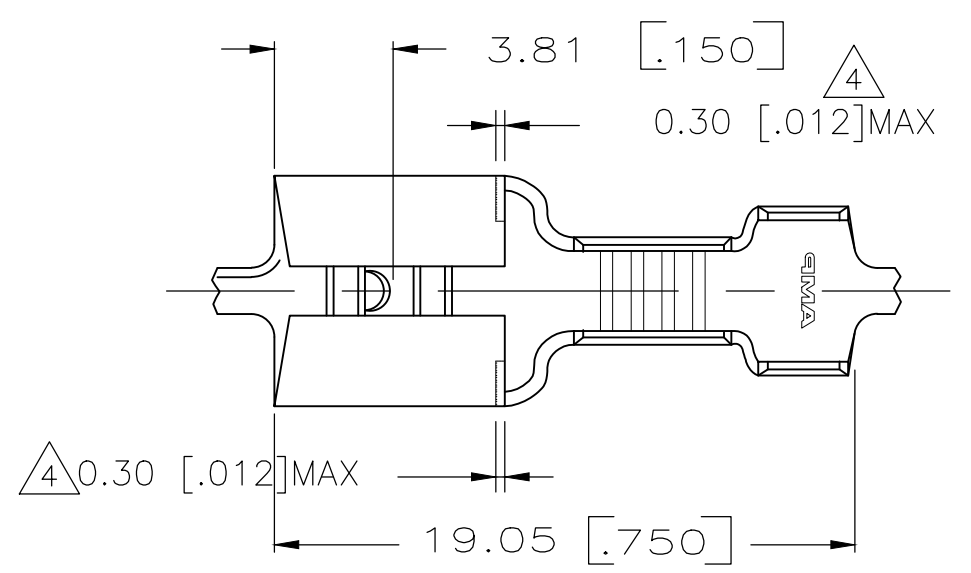


THIS DRAWING IS UNPUBLISHED. RELEASED FOR PUBLICATION
 © COPYRIGHT - By - ALL RIGHTS RESERVED.

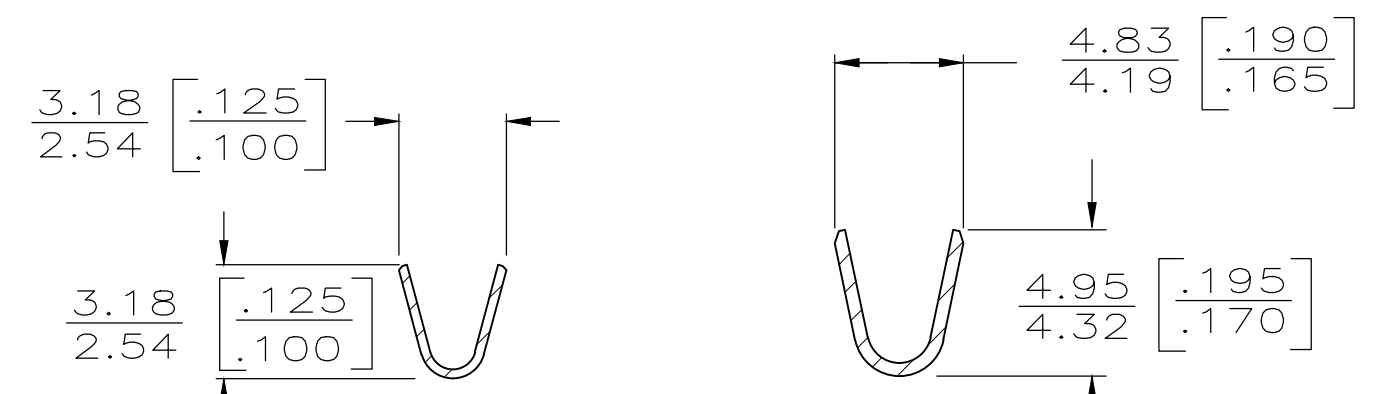
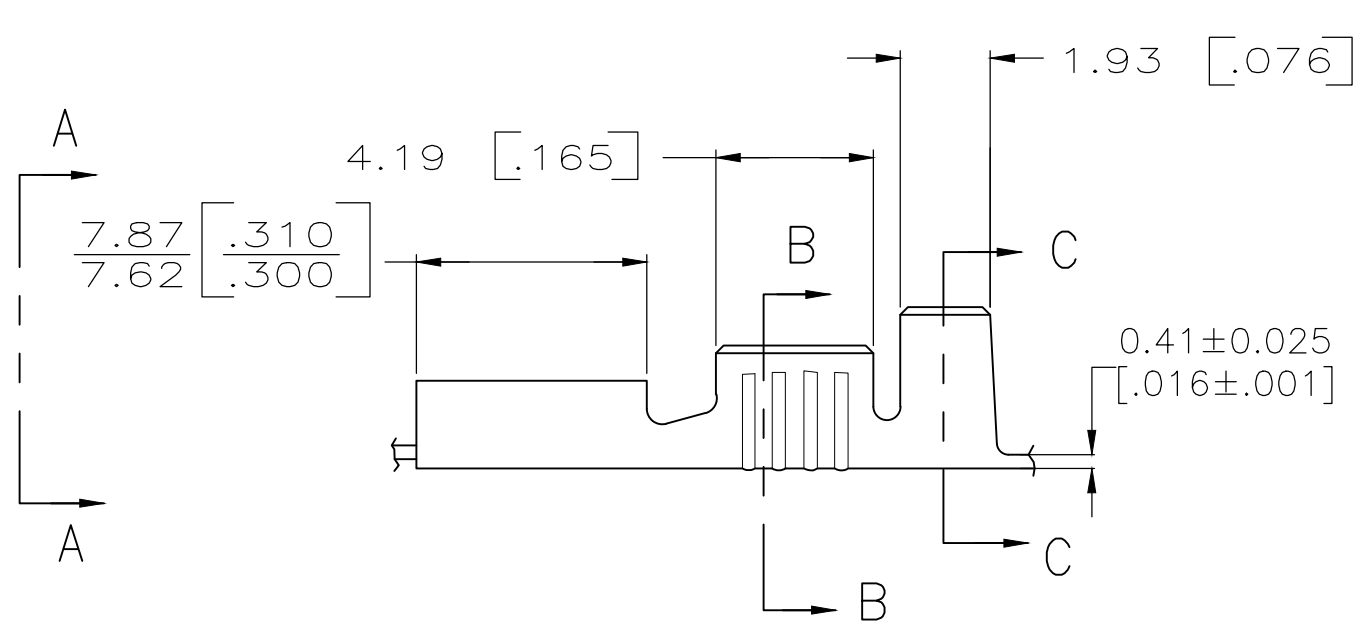
REVISIONS					
P	LTR	DESCRIPTION	DATE	DWN	APVD
V1		REVISED PER ECR-19-003911	12MAR2019	BH	E.W

- 1 DIM'S IN BRACKETS ARE IN INCHES.
- 2 CONTINUOUS STRIP ON REELS.
- 3 FOR FOREIGN PRODUCTION ONLY



VIEW A-A

4 CUT-OFF OFFSET IS ALLOWED BY 0.3mm MAX. THIS MAY BE REQUIRED FOR MANUFACTURING, BUT WILL NOT IMPACT THE INTENDED PERFORMANCE OF THE CONTACT.



SECT B-B

SECT C-C

3	2.29-3.30 [.090-.130]	0.3-0.8mm [22-18]	0.81 ± 0.025 [.032] ± 0.001	41771-1
	2.29-3.30 [.090-.130]	0.3-0.8mm ² [22-18]	0.81 ± 0.025 [.032] ± 0.001	41771
	INSUL RANGE	WIRE SIZE	TAB THK.	PART NO.

F OR O	3.30 [.130]	5.59 [.220]	F	2.29 [.090]	1.42 [.056]	0.8mm [18]
					1.30 [.051]	0.5mm [20]
					1.24 [.049]	0.3mm ² [22]
TYPE	WIDTH	STRIP LENGTH ±0.38 ±0.15	TYPE	WIDTH	±0.051 [±0.002] HEIGHT	WIRE
INSUL BARREL CRIMP			WIRE BARREL CRIMP			

THIS DRAWING IS A CONTROLLED DOCUMENT.

DWN	JR RUTH	2/7/86
CHK	G YETTER	2/7/86
APVD	R KUZO	2/7/86
PRODUCT SPEC		
APPLICATION SPEC		
WEIGHT	0.000000	

STE TE Connectivity Ltd.

RECEPTACLE, FASTON, 6.35 [.250] SERIES

SIZE	A3	CAGE CODE	00779	DRAWING NO	C-41771	RESTRICTED TO	-
CUSTOMER DRAWING			SCALE	4:1	SHEET	1 OF 1	REV
							V1