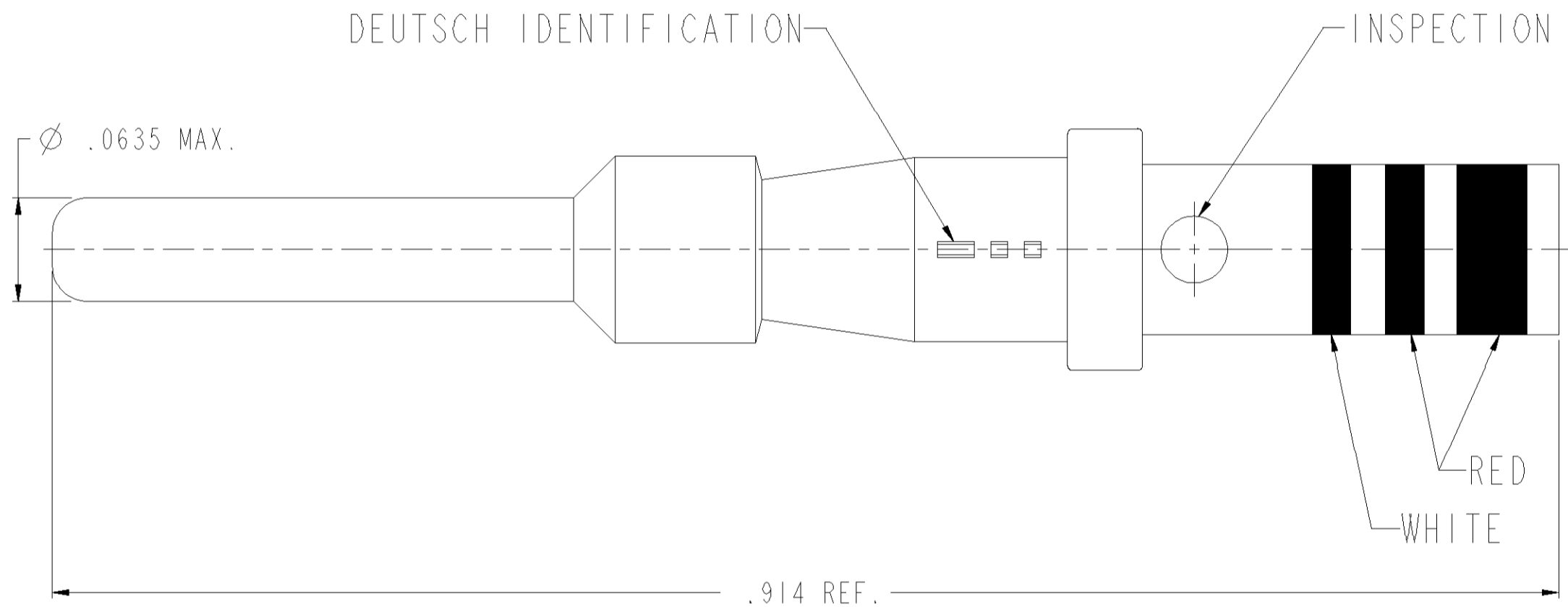
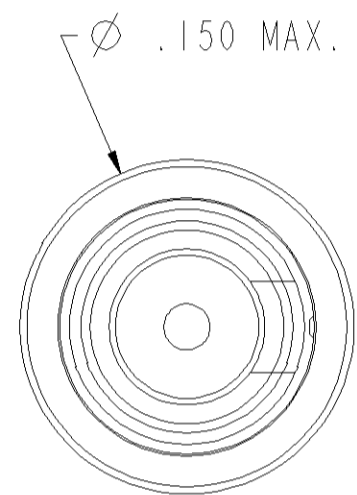


REV	4160-204-16**
A	

(A2)

REVISION HISTORY			
REV	DESCRIPTION	DATE	APPROVED
-	NEW RELEASE PER E.O. C7817		
A	REVISED PER E.O. C8408	120123	M.A.



(A1)

PART NUMBER	PLATING
4160-204-16**	OVERALL PLATING
4160-204-16**L	SELECTIVE PLATING

ALL SHEETS ARE THE SAME REVISION STATUS

- 3.. MATERIAL: COPPER ALLOY
- 2. DELETED
- 1. DIMENSIONS ARE IN INCHES

(A3)

NOTES: UNLESS OTHERWISE SPECIFIED.

PROPERTY OF DEUTSCH E.C.D. THIS DRAWING CONTAINS PROPRIETARY INFORMATION THAT SHALL NOT BE DISCLOSED, DUPLICATED, NOR USED IN WHOLE OR IN PART FOR ANY PURPOSE OTHER THAN TO EVALUATE THIS DRAWING

THIRD ANGLE PROJECTION	

SIGNATURE & DATE	
DR	M.A. 040903
CHK	A.R. 100316
PE	M.A. 040903
APPD	A.R. 120123
MATERIAL	SEE NOTE 2.
FINISH	SEE TABLE
MATERIAL CODE	41

<b>DEUTSCH</b> DEFENSE/AEROSPACE OPERATION 250 EDDIE JONES WAY OCEANSIDE, CA 92058		
TITLE CONTACT PIN SIZE 16, M39029/31-229 CONFIGURATION 16, 18, AND 20 GAGE WIRE ENVELOPE		
SIZE	CAGE CODE	DWG NO
C	11139	4160-204-16**
SCALE	NONE	WEIGHT
	NONE	SHEET 1 OF 1

NBO