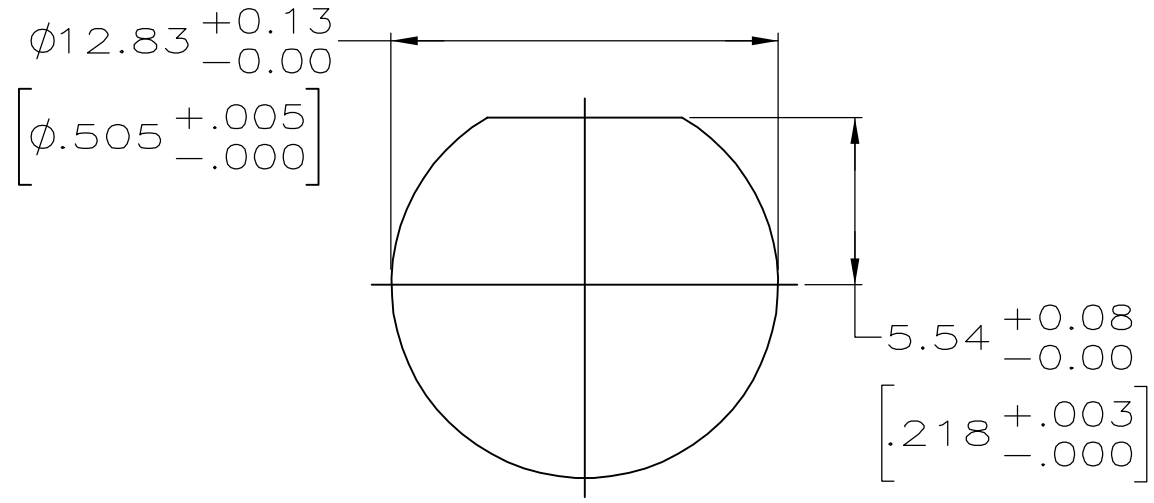
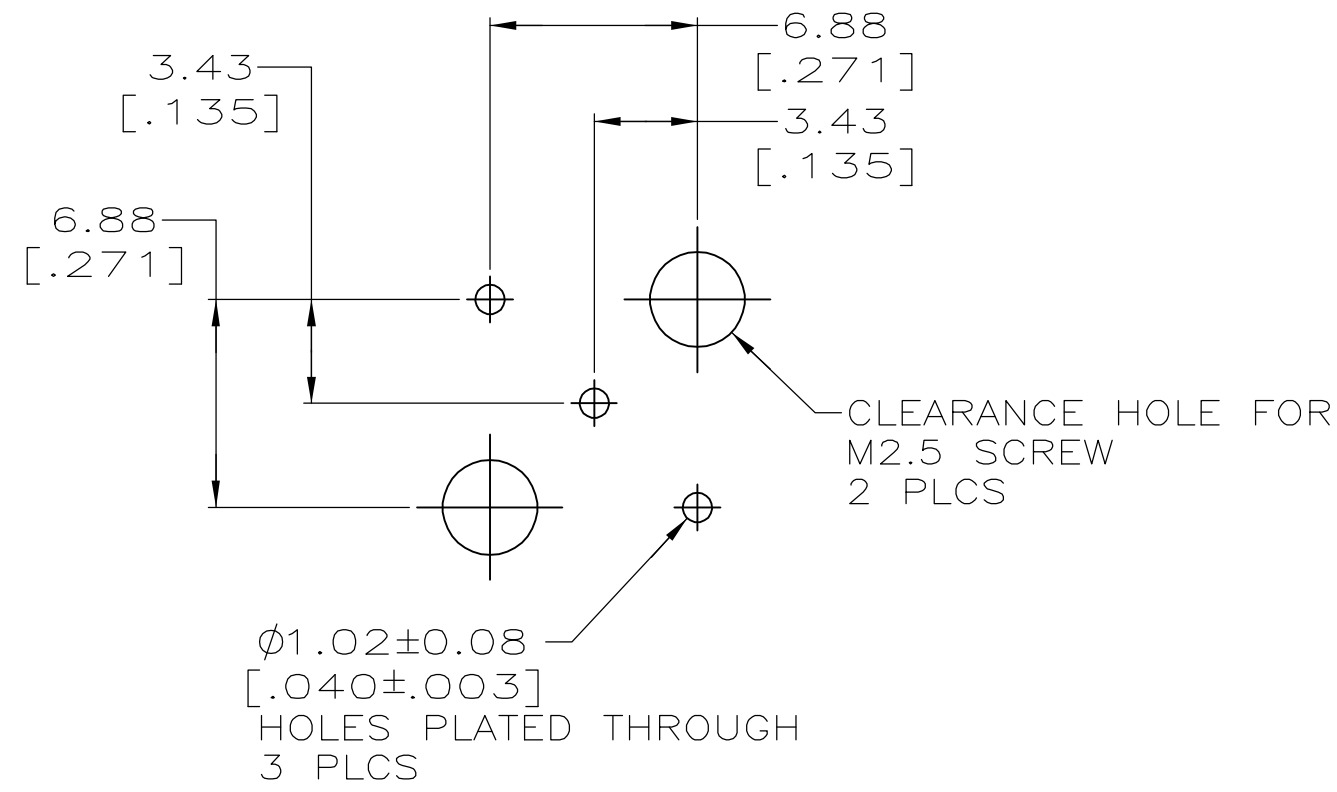


THIS DRAWING IS UNPUBLISHED. RELEASED FOR PUBLICATION  
 © COPYRIGHT BY TYCO ELECTRONICS CORPORATION. ALL RIGHTS RESERVED.

| LOC | DIST | REVISIONS   |                           |         |       |
|-----|------|-------------|---------------------------|---------|-------|
| P   | LTR  | DESCRIPTION | DATE                      | DWN     | APVD  |
| AJ  | 16   | C           | REVISED PER ECO-05-015931 | 19DEC05 | BM JL |

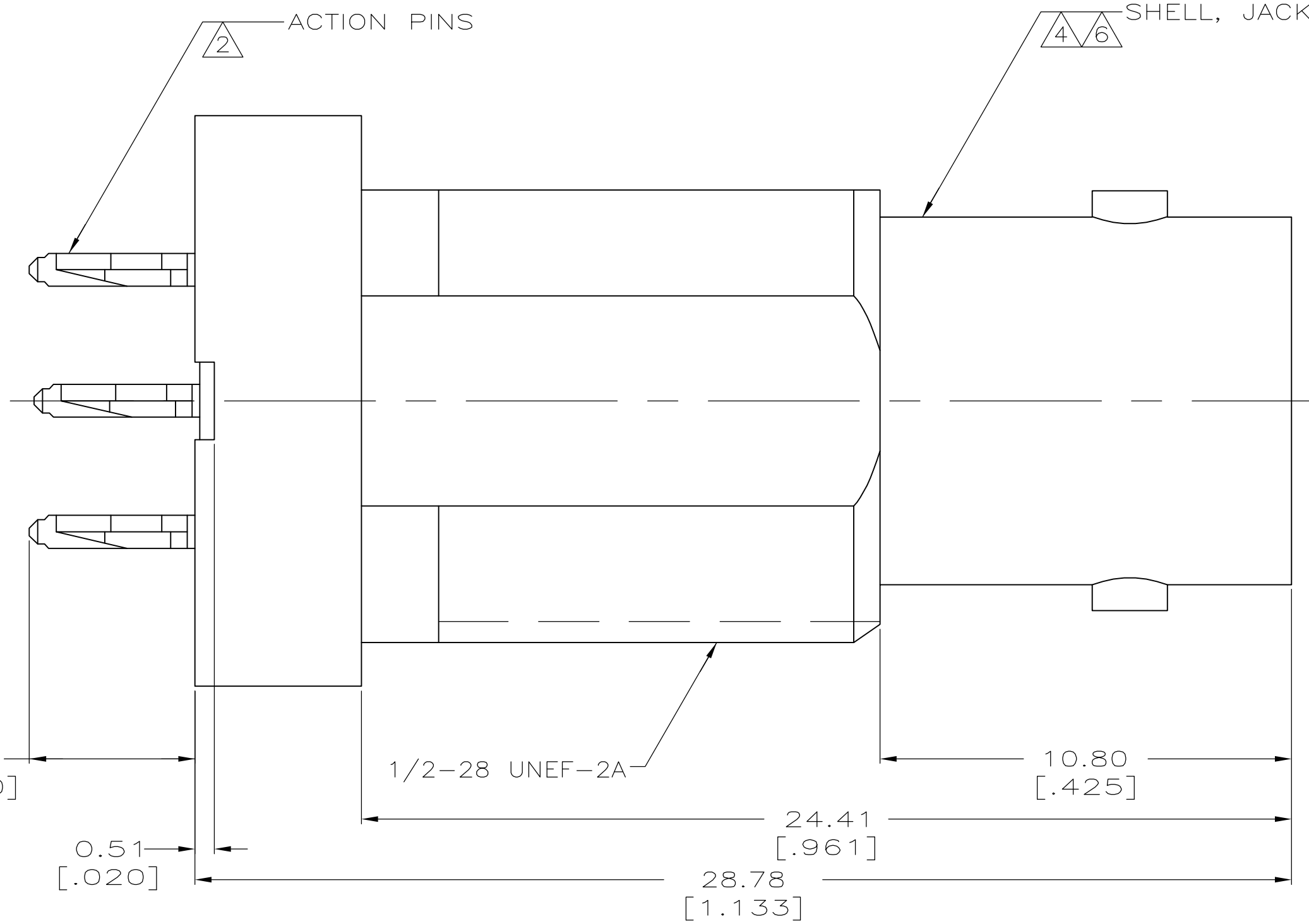
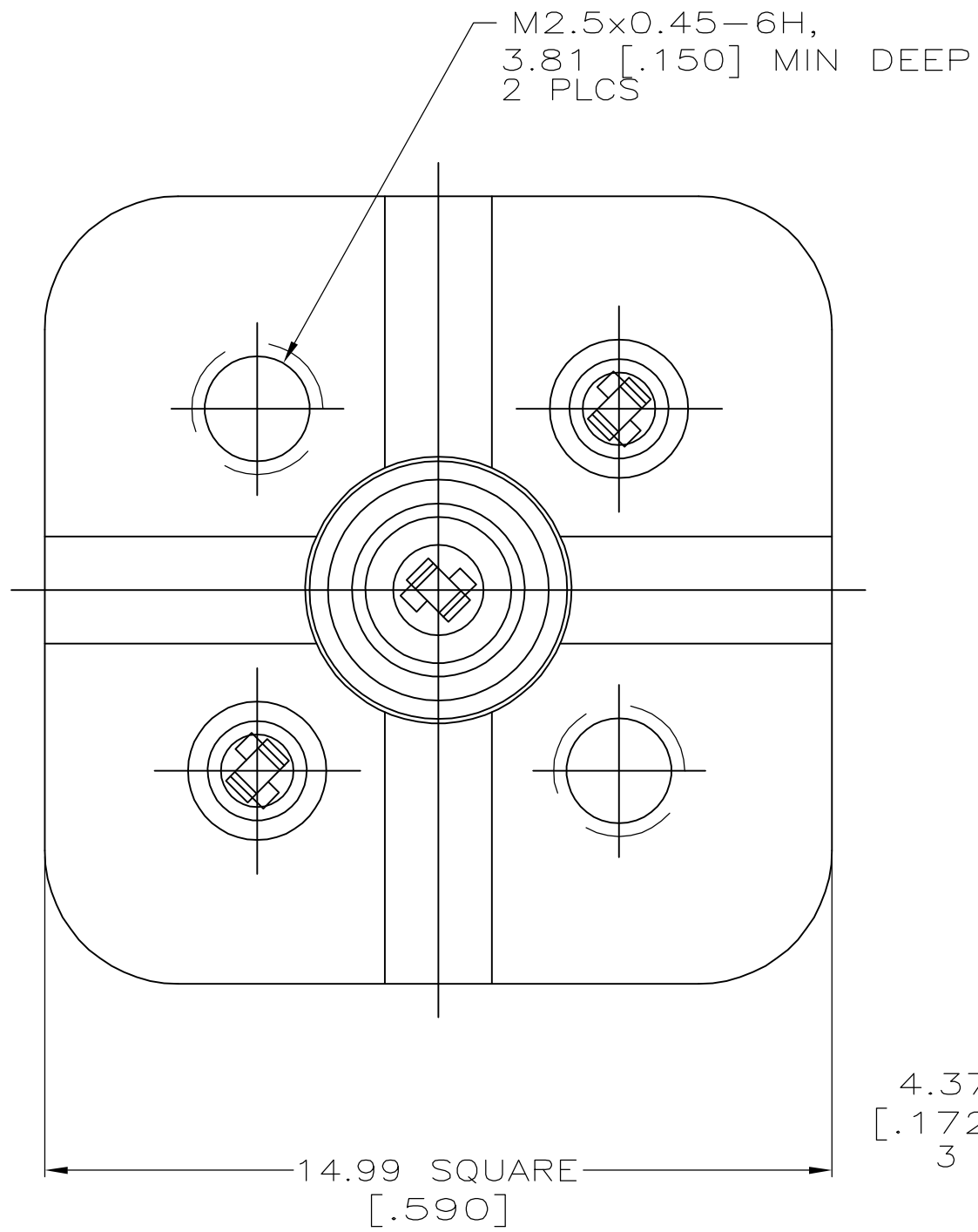


RECOMMENDED PANEL CUTOUT  
SCALE 4:1



RECOMMENDED PC BOARD LAYOUT  
SCALE 4:1

- ① BERYLLIUM COPPER PER ASTM-B-643
- ② COPPER ALLOY PER ASTM-B-122
- ③ PTFE PER MIL-P-19468
- ④ ZINC DIE CAST PER QQ-Z-363
- ⑤ GOLD PLATE PER MIL-G-45204, 1.27 μm [.000050] MIN THICKNESS
- ⑥ NICKEL PLATE PER QQ-N-290, 3.81 μm [.000150] MIN THICKNESS
- ⑦ TIN PLATE PER ASTM-B-545, 3.81 μm [.000150] MIN THICK.
- ⑧ TIN-LEAD PLATE PER ASTM-B-545, 3.81 μm [.000150] MIN THICK.



- ① ⑤ CONTACT
- ③ DIELECTRIC
- ④ ⑥ SHELL, JACK
- ② ACTION PINS

|                    |             |
|--------------------|-------------|
| ⑧                  | 415457-2    |
| ⑦                  | 415457-1    |
| ACTION PIN PLATING | PART NUMBER |

THIS DRAWING IS A CONTROLLED DOCUMENT.

|             |   |                    |   |           |            |               |
|-------------|---|--------------------|---|-----------|------------|---------------|
| DWN         | 07JUN96   | MICHAEL E. COWHER  | <br>Tyco Electronics Corporation<br>Harrisburg, PA 17105-3608 |           |            |               |
| CHK         | 07JUN96   | MICHAEL J. TOMCHAK |   |           |            |               |
| APVD        | 07JUN96   | MICHAEL J. TOMCHAK |   |           |            |               |
| NAME        | JACK ASSEMBLY, ACTION-PIN, PCB, BNC   |                    |   |           |            |               |
| DIMENSIONS: | TOLERANCES UNLESS OTHERWISE SPECIFIED:  | PRODUCT SPEC       | SIZE  | CAGE CODE | DRAWING NO | RESTRICTED TO |
| mm [INCHES] | 0 PLC ± -<br>1 PLC ± -<br>2 PLC ± 0.13 [.005]<br>3 PLC ± -<br>4 PLC ± -<br>ANGLES ± -<br>FINISH | APPLICATION SPEC   | A2  | 00779     | C=415457   | -             |
| MATERIAL    | SEE NOTES   | WEIGHT             | CUSTOMER DRAWING  |           | SCALE      | SHEET         |
| SEE NOTES   | SEE NOTES   | -                  | 8:1   |           | 1 of 1     | REV C         |