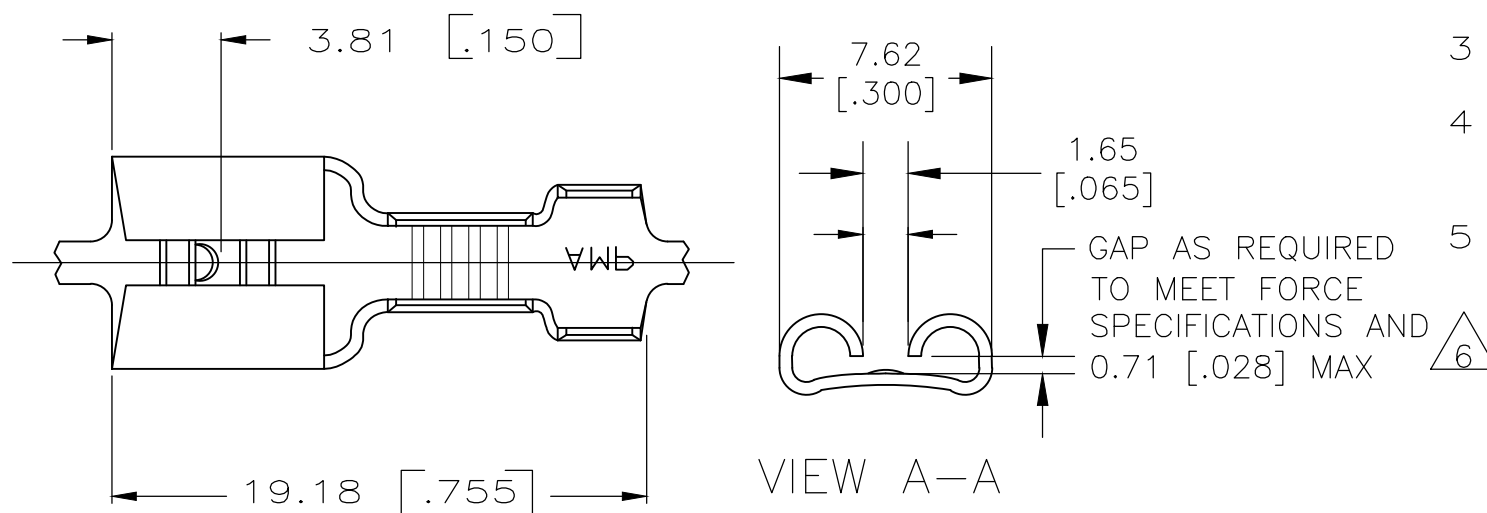
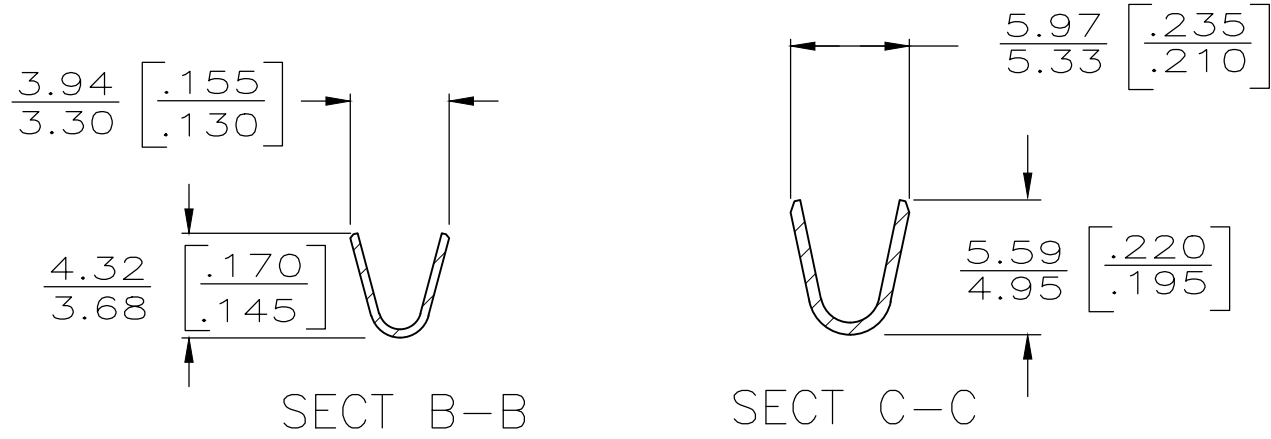
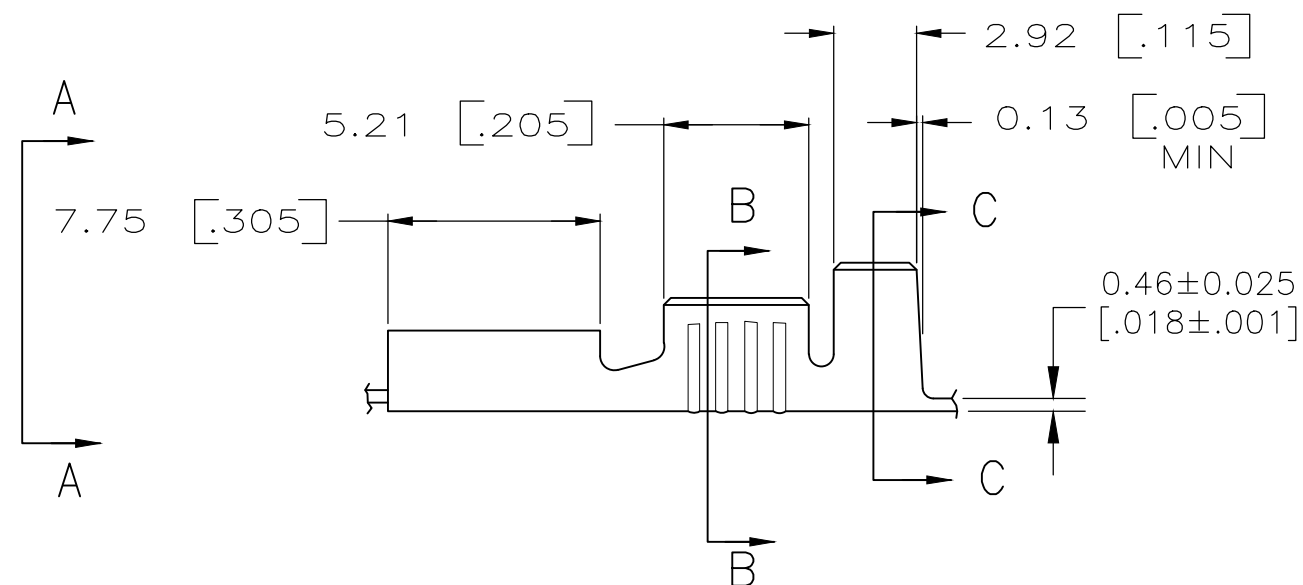


THIS DRAWING IS UNPUBLISHED. RELEASED FOR PUBLICATION
 © COPYRIGHT - By - ALL RIGHTS RESERVED.

LOC	DIST	REVISIONS			
P	LTR	DESCRIPTION	DATE	DWN	APVD
AF	50	U2	REVISED PER ECR-20-009164	11AUG2020	MK DH



- 1 DIM'S IN BRACKETS ARE IN INCHES
- 2 CONTINUOUS STRIP ON REELS
- 3 WIRE SIZE 0.8-2.0mm [#18-#14] AWG
- 4 INSULATION RANGE IS 3.05-4.32 [.120-.170] DIA.
- 5 MATING TAB THK IS 0.84-0.76 [.033-.030].
- 6 0.38 X 15° [.015 X 15°] SWAGE ON FRONT OF RECEPTACLE. FOR FOREIGN PRODUCTION ONLY.



TIN	BRASS	△6	41274-1
TIN	BRASS		41274
FINISH	MATERIAL	PART NO.	

TYPE	WIDTH	STRIP LENGTH ±.015	TYPE	WIDTH	±.051 [±.002] HEIGHT	WIRE
F OR O	4.57 [.180]	6.4 [.252]	F	3.05 [.120]	1.90 [.075]	2.0mm [14]
					1.68 [.066]	1.3mm [16]
					1.55 [.06]	0.8mm [18]
INSUL BARREL CRIMP	WIRE BARREL CRIMP					

THIS DRAWING IS A CONTROLLED DOCUMENT.

DIMENSIONS: mm [INCHES]	TOLERANCES UNLESS OTHERWISE SPECIFIED:	DWN	JR RUTH	2/5/86	TE Connectivity							
	0 PLC ± -	CHK	G YETTER	2/5/86								
	1 PLC ± -	APVD	R KUZO	2/5/86								
	2 PLC ± -	PRODUCT SPEC										
	3 PLC ± 0.38 [.015]	APPLICATION SPEC										
4 PLC ± -	WEIGHT	NAME			.250 SERIES FASTON RECEPTACLE							
ANGLES ± -		SIZE	A3	CAGE CODE	00779	DRAWING NO	C=41274	RESTRICTED TO	-			
MATERIAL	BRASS	FINISH	TIN	CUSTOMER DRAWING			SCALE	4:1	SHEET	1 of 1	REV	U2