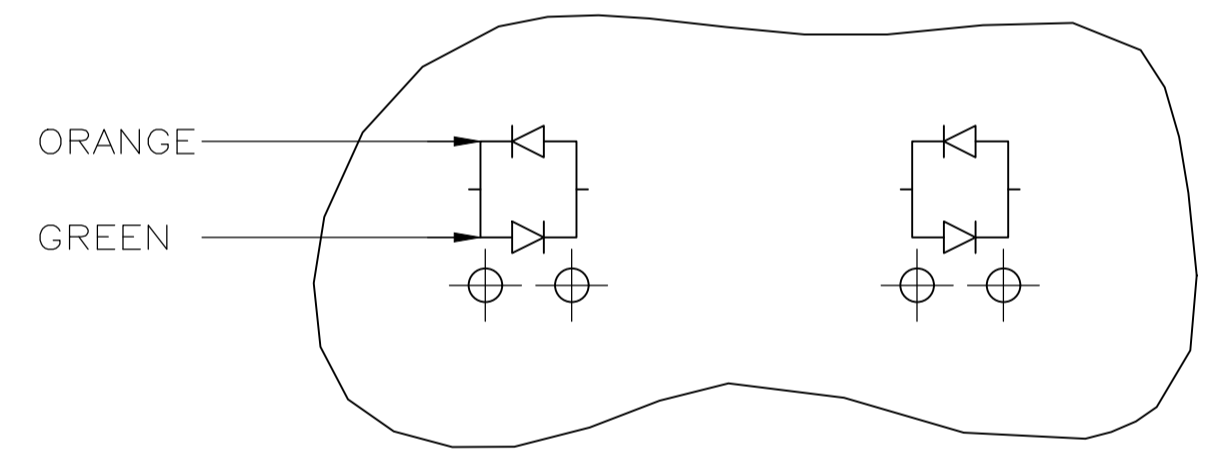
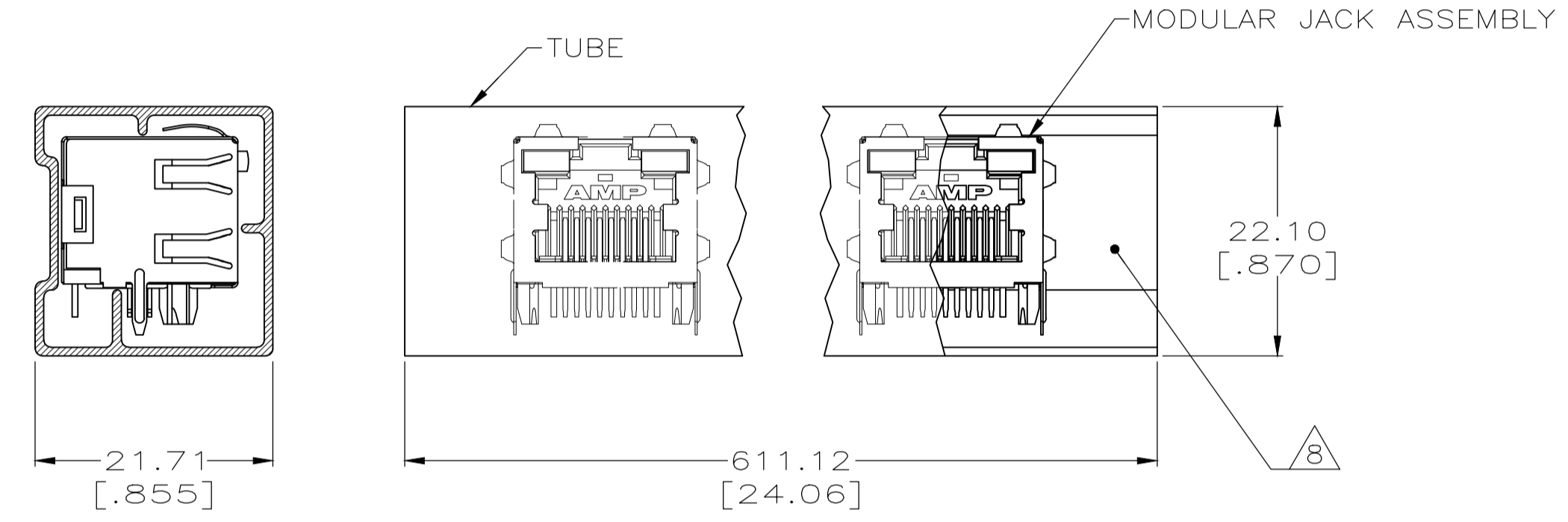
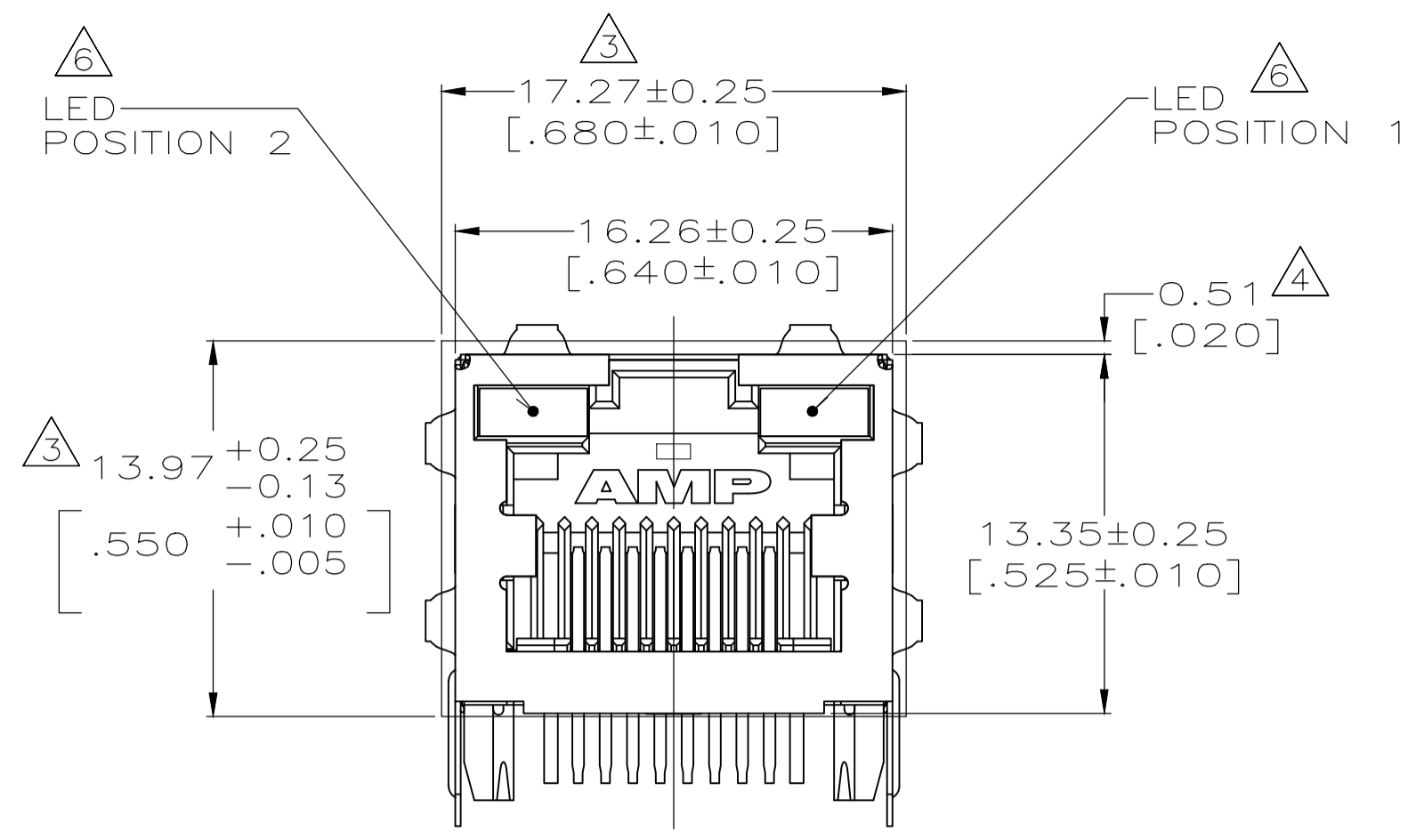
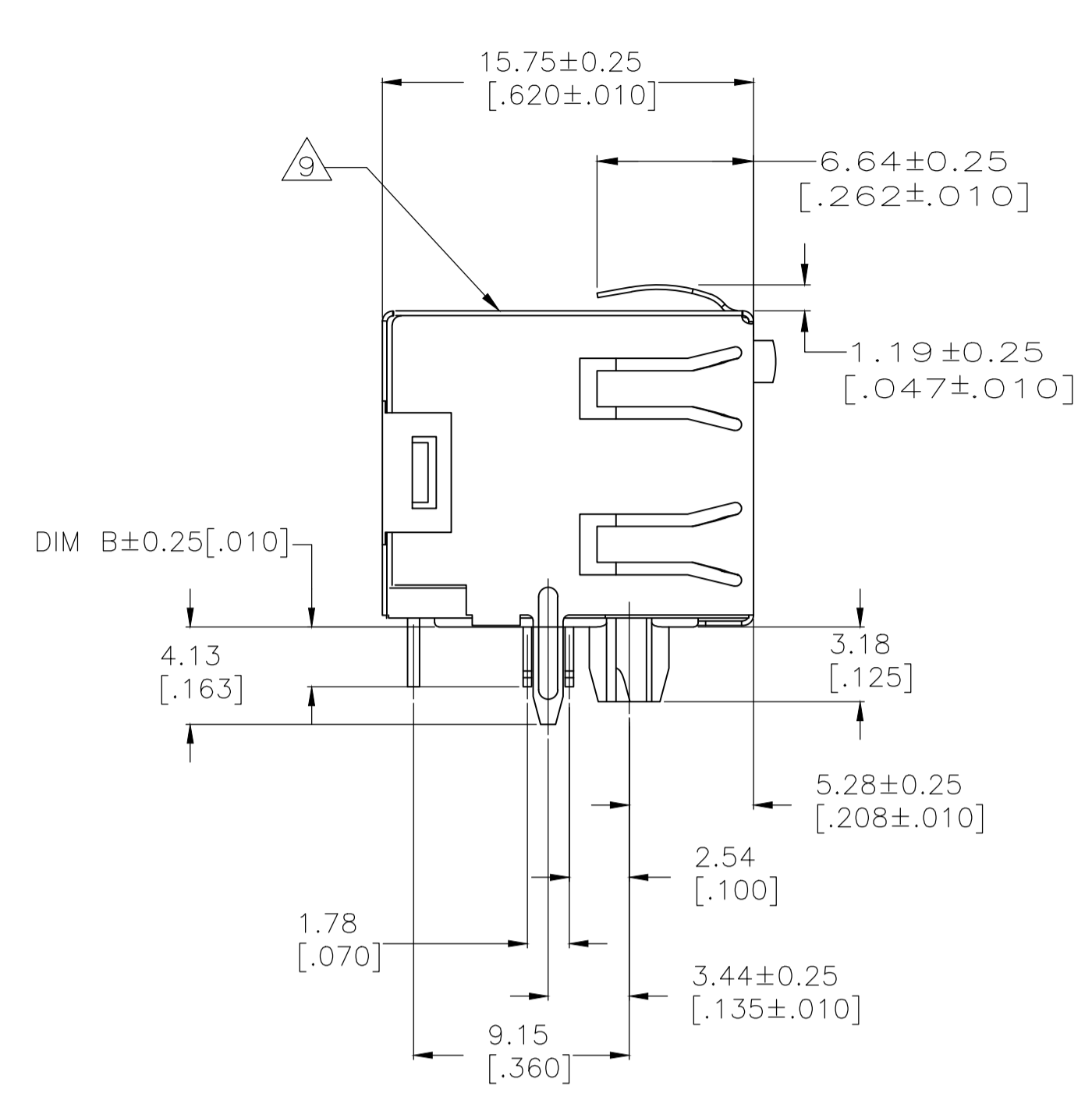
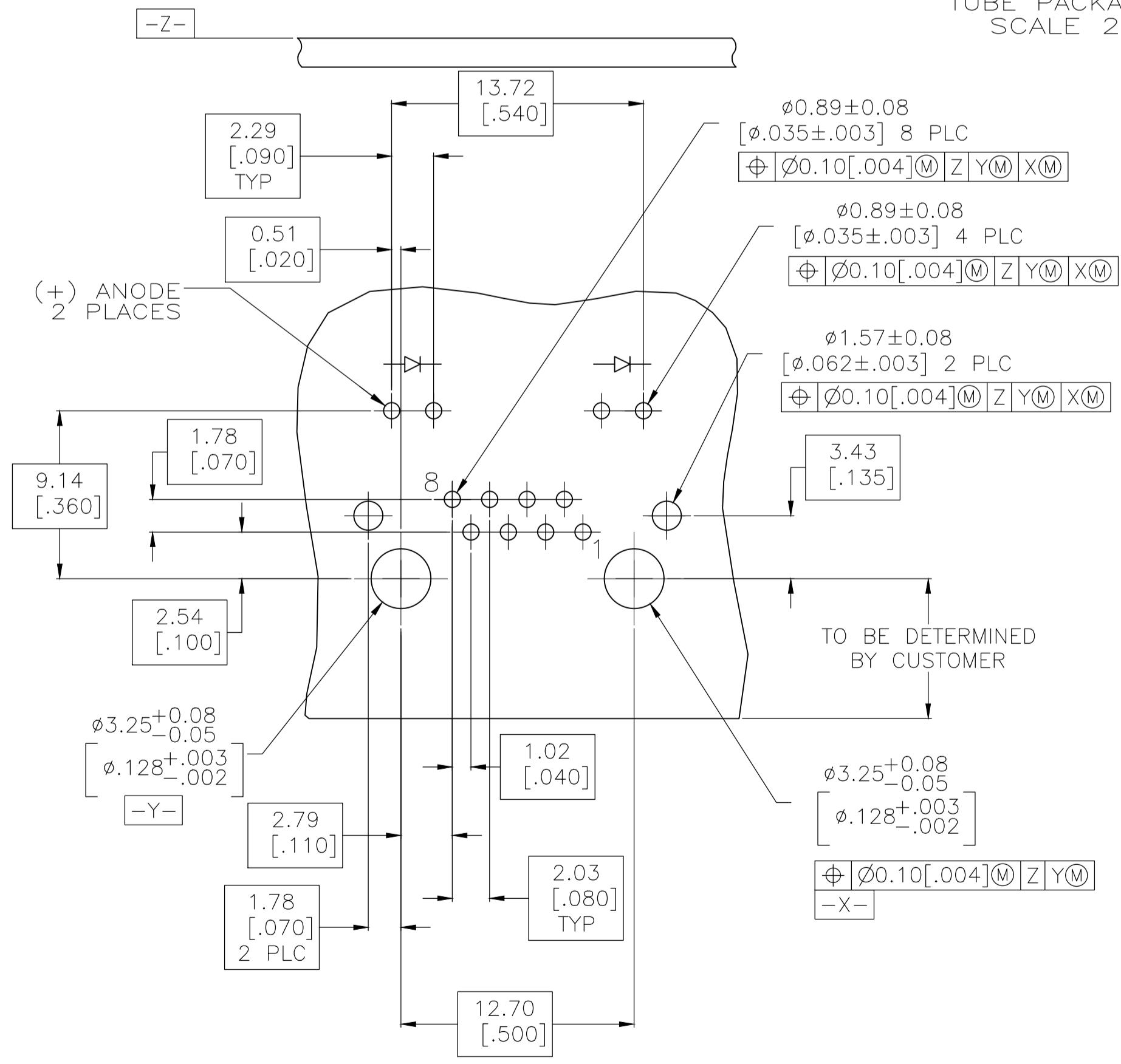


REVISIONS				
REV	DATE	BY	APPD	DESCRIPTION
K5	27FEB2020	IT	SH	REVISED PER ECO-14-018192



LED CURRENT DIAGRAM
406507-7, 1-406507-7,
AND 3-406507-7



RECOMMENDED PRINTED CIRCUIT BOARD
(COMPONENT SIDE)

- △ MATERIAL:
HOUSING - HIGH TEMPERATURE THERMOPLASTIC, BLACK, UL94V-0.
TERMINALS - 0.36[.014] THICK PHOS BRONZE PLATED WITH 3.81µm[.000150] MINIMUM THICK (SEE P/N TABLE) IN SOLDER AREA. 1.27µm [0.000050] MINIMUM GOLD IN LOCALIZED PLATE AREA. ENTIRE TERMINAL PLATED WITH 1.27µm [0.000050] MINIMUM THICK NICKEL.
SHIELD - 0.196[.0077] THICK COPPER ZINC ALLOY PREPLATED WITH 1.27µm[.000050] MINIMUM SATIN NICKEL WITH 2.03µm[.000080] MINIMUM TIN POST DIPPED ON PCB GROUND TABS.
LIGHT EMITTING DIODE (LED) - DIFFUSED EPOXY LENS, 0.51 x 0.51[.020 x .020] CARBON STEEL WIREFRAME LEADS PLATED WITH 8.89µm[.000350] TIN/COPPER OVER 2.03µm[.000080] SILVER OVER 1.02µm[.000040] NICKEL UNDERPLATE OVER 2.03µm[.000080] COPPER UNDERPLATE.
- 2. JACK CAVITY CONFORMS TO FCC RULES AND REGULATIONS PART 68, SUBPART F.
- △ SUGGESTED PANEL OPENING DIMENSIONS.
- △ SUGGESTED CLEARANCE BETWEEN TOP OF CONNECTOR AND TOP PANEL OPENING.
- 5. 0.051[.002] WHITE POLYESTER INSULATOR APPLIED TO BACK OF HOUSING.
- △ SEE TABLE FOR COLOR OF LEDS AND NUMBER REQUIRED.
- 7. THIS MODULAR JACK WITH INTEGRATED LED IS NOT IR REFLOW SOLDERING PROCESS COMPATIBLE.
- △ PACKAGED 30 PIECES PER TUBE. SEE DETAIL "A".
- △ MANUFACTURING DATE CODE:
LOCATED APPROX. AS SHOWN.
FIRST 2 DIGITS = LAST 2 DIGITS OF YEAR.
NEXT 2 DIGITS = MANUFACTURING WORK WEEK.
LAST DIGIT = DAY OF WEEK WITH SUNDAY = 1.
- △ OBSOLETE PARTS: OBSOLETE CIS STREAMLINING PER D.RENAUD/D.SINISI

TERMINAL LEAD FINISH	DIM B SOLDER TAIL LENGTH	PACKAGING	INDICATOR COLOR		PART NUMBER
△			POSITION 2	POSITION 1	
△		△ TUBE	GREEN	YELLOW	7-406507-4
		TRAY	ORANGE/GREEN	ORANGE/GREEN	3-406507-7
△		△ OBSOLETE TRAY	GREEN	GREEN	3-406507-5
△		△ OBSOLETE TRAY	GREEN	YELLOW	3-406507-4
△		△ OBSOLETE TRAY	YELLOW	GREEN	3-406507-1
		△ TUBE	GREEN	YELLOW	2-406507-4
△		△ OBSOLETE TRAY	ORANGE/GREEN	ORANGE/GREEN	1-406507-7
△		△ OBSOLETE TRAY	YELLOW	YELLOW	1-406507-6
		TRAY	GREEN	GREEN	1-406507-5
△		△ OBSOLETE TRAY	GREEN	YELLOW	1-406507-4
△		△ OBSOLETE TRAY	YELLOW	-	1-406507-3
		TRAY	-	GREEN	1-406507-2
		TRAY	YELLOW	GREEN	1-406507-1
		TRAY	ORANGE/GREEN	ORANGE/GREEN	406507-7
△		△ OBSOLETE TRAY	YELLOW	YELLOW	406507-6
△		△ OBSOLETE TRAY	GREEN	GREEN	406507-5
		TRAY	GREEN	YELLOW	406507-4
△		△ OBSOLETE TRAY	YELLOW	-	406507-3
△		△ OBSOLETE TRAY	-	GREEN	406507-2
		TRAY	YELLOW	GREEN	406507-1

THIS DRAWING IS A CONTROLLED DOCUMENT.

DIMENSIONS: mm [INCHES]

TOLERANCES UNLESS OTHERWISE SPECIFIED:

0 PLC	±
1 PLC	±
2 PLC	± 0.25[.01]
3 PLC	± 0.13[.005]
4 PLC	±
ANGLES	±

MATERIAL: △ FINISH: △

THIS DRAWING IS A CONTROLLED DOCUMENT. DWN: T. SPRINKLE 15SEP97. CHK: T. SPRINKLE 15SEP97. APPD: M. DERSTINE 0900197. NAME: INVERTED MODULAR JACK ASSEMBLY, 1X1, SHIELDED, PANEL GROUND, LED, INSULATOR. PRODUCT SPEC: 108-1163-4. APPLICATION SPEC: 114-2154. WEIGHT: 0.000000. A1 00779 ©=406507. CUSTOMER DRAWING. SCALE: 4:1. SHEET: 1 OF 1. REV: K5.