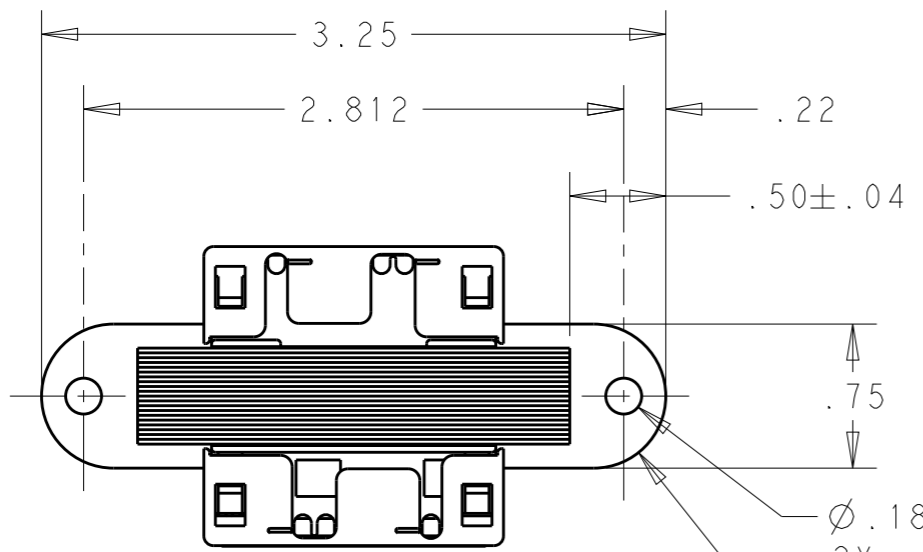


THIS DRAWING IS UNPUBLISHED. RELEASED FOR PUBLICATION 20
 © COPYRIGHT 20 BY - ALL RIGHTS RESERVED.

REVISIONS					
P	LTR	DESCRIPTION	DATE	DWN	APVD
	C	ECR-17-008946	22OCT2018	VS	DB

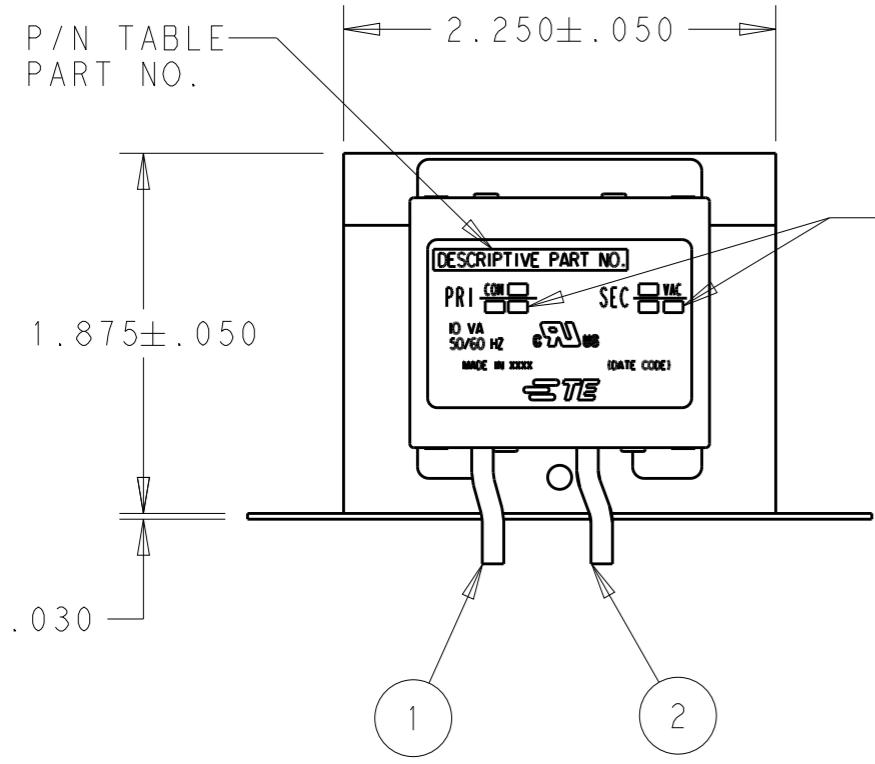


CERTIFICATION: UL & CUL FILE NO. E87824

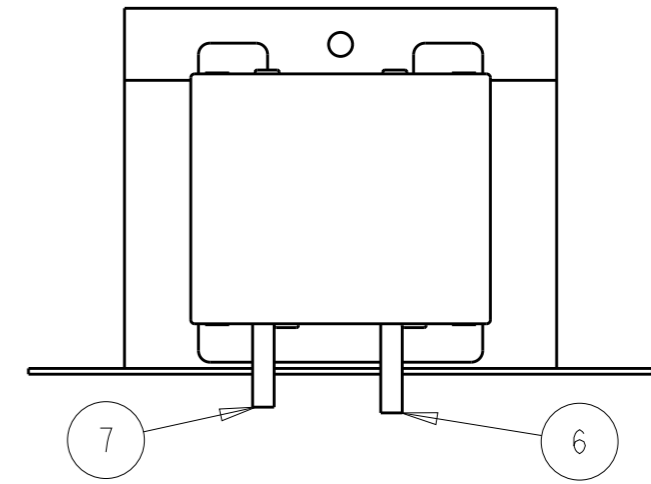
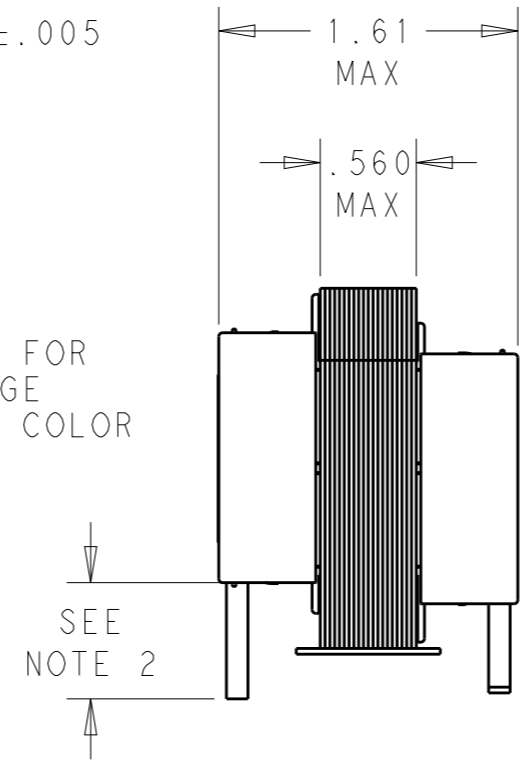
PRIMARY			SECONDARY		
LEAD NO.	1	2	LEAD NO.	6	7
VOLTAGE	COM	SEE P/N TABLE	VOLTAGE	SEE P/N TABLE	VAC
COLOR	BLK	SEE P/N TABLE	COLOR	BLU	SEE P/N TABLE

- ALL LEADS ARE 18AWG AND ARE 12.0+1.0/-0 LONG WITH A STRIP LENGTH OF .50±1/32.
- WINDING PROTECTION: INHERENTLY LIMITING.

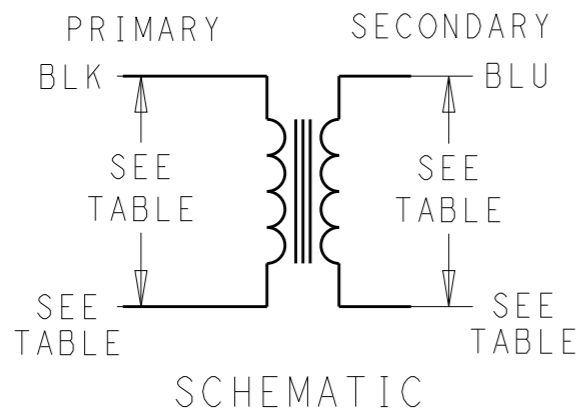
SEE P/N TABLE FOR PART NO.



SEE P/N TABLE FOR PRIMARY VOLTAGE AND LEAD WIRE COLOR



PRIMARY		SECONDARY		PACKAGED	DESCRIPTIVE PART NO.	TE PART NO.	PART REV
VOLTAGE	LEAD COLOR	VOLTAGE	LEAD COLOR				
120	BLK-WHT	24	BLU-YEL	BULK	4000-01A19K999	1611447-7	C
				INDIVIDUAL	4000Y01A19K999	3-1611471-2	C
240	BLK-ORG	24	BLU-YEL	BULK	4000-02A19K999	7-1611476-9	C
				INDIVIDUAL	4000Y02A19K999	3-1611471-9	C
120	BLK-WHT	12	BLU-BLU	BULK	4000-20A19K999	5-1611513-0	C



THIS DRAWING IS A CONTROLLED DOCUMENT.

DIMENSIONS: INCHES	TOLERANCES UNLESS OTHERWISE SPECIFIED:
	0 PLC ±.1
	1 PLC ±.1
	2 PLC ±.03
	3 PLC ±.015
	4 PLC ±.
	ANGLES ±.
MATERIAL	FINISH
-	-

DWN	VIC SLACK	02MAY2018
CHK	D. BLOESCH	02MAY2018
APVD	D. BLOESCH	02MAY2018
PRODUCT SPEC	-	-
APPLICATION SPEC	-	-
WEIGHT	-	-
CUSTOMER DRAWING		

STE TE Connectivity

NAME: TRANSFORMER OUTLINE

SIZE	CAGE CODE	DRAWING NO	RESTRICTED TO
A3	-	©-4000___A19K999	

SCALE: 1:1 SHEET: 1 OF 1 REV: C