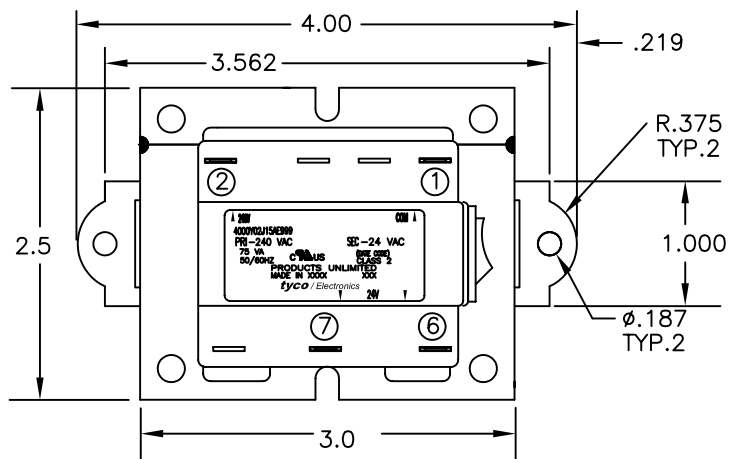


THIS DRAWING IS UNPUBLISHED. RELEASED FOR PUBLICATION  
 © COPYRIGHT BY TYCO ELECTRONICS CORPORATION. ALL RIGHTS RESERVED.

LOC	DIST	REVISIONS					
GZ	00	P	LTR	DESCRIPTION	DATE	DWN	APVD
		B		ECR-06-022033	14SEP06	KH	HT

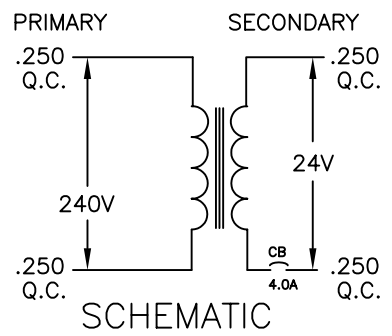
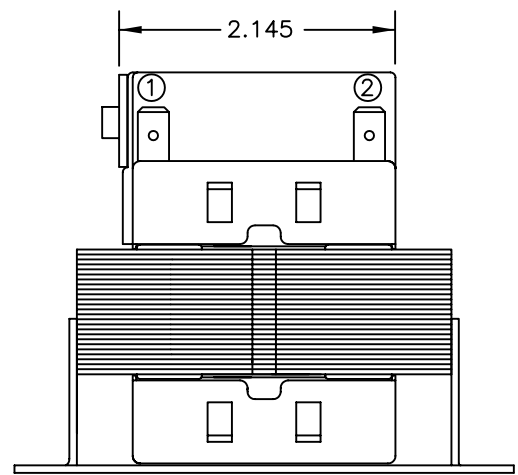
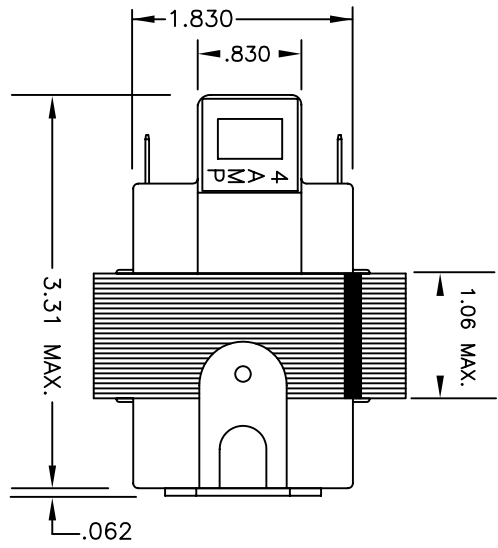
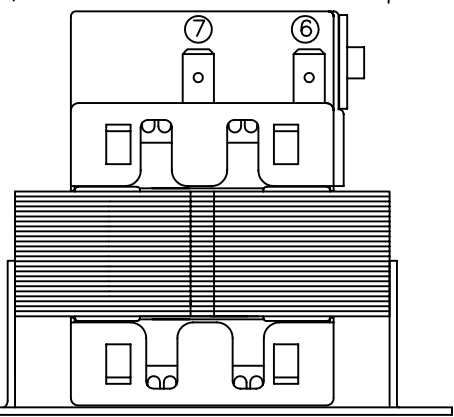


PRIMARY					SECONDARY				
TERM NO.	1	2	3	4	5	6	7	8	9
VOLTAGE	COM	240				24	VAC		
TERMINAL WIDTH	.250	.250				.250	.250		
TERMINAL THICKNESS	.032	.032				.032	.032		

NOTES:  
 1. DIMENSIONS FOR REFERENCE ONLY.  
 2. WINDING PROTECTION—4.0 AMP CIRCUIT BREAKER IN SECONDARY NON-NHERENTLY LIMITED

CERTIFICATION: UL/CUL FILE NO E87824

D  
C  
B  
A



TYCO PART NUMBER  
 3-1611476-6

THIS DRAWING IS A CONTROLLED DOCUMENT.		DWN K.H.	08MAR04	<p>Tyco Electronics Corporation Harrisburg, PA 17105-3608</p>
DIMENSIONS: INCHES		CHK DH	08MAR04	
TOLERANCES UNLESS OTHERWISE SPECIFIED:		APVD HT	08MAR04	
0 PLC ± - 1 PLC ± - 2 PLC ± .01 3 PLC ± .005 4 PLC ± - ANGLES ± -		PRODUCT SPEC	-	
MATERIAL		APPLICATION SPEC	-	NAME
FINISH		WEIGHT	-	TRANSFORMER OUTLINE P.U. STOCK
-		CUSTOMER DRAWING	SCALE 1:1	SIZE A3
			SHEET 1 OF 1	CAGE CODE 00779
			REV B	DRAWING NO C=4000Y02J15AE999
				RESTRICTED TO