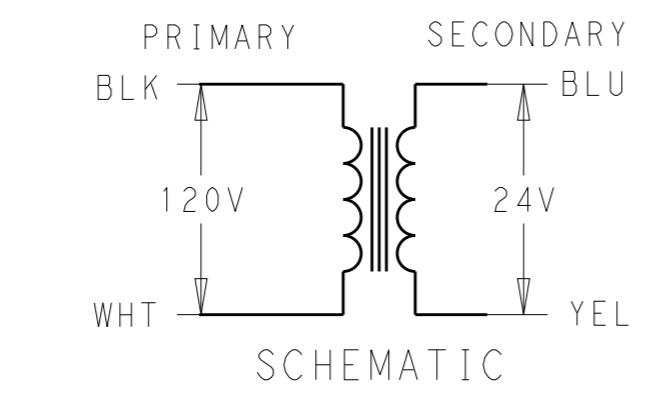
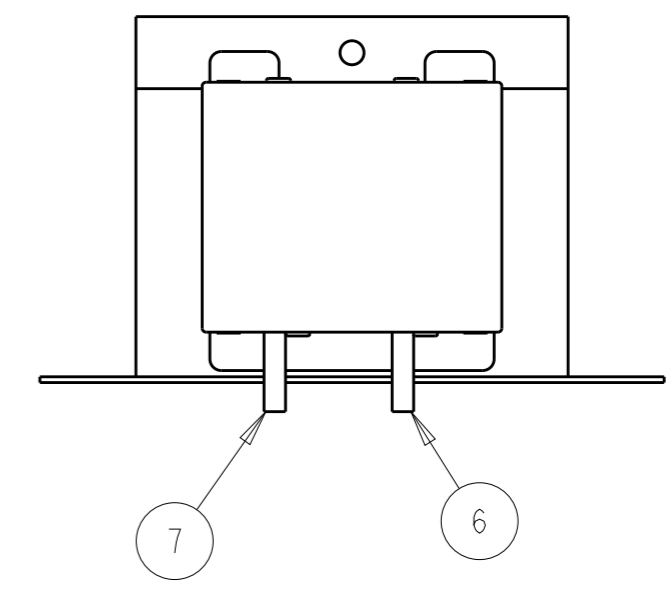
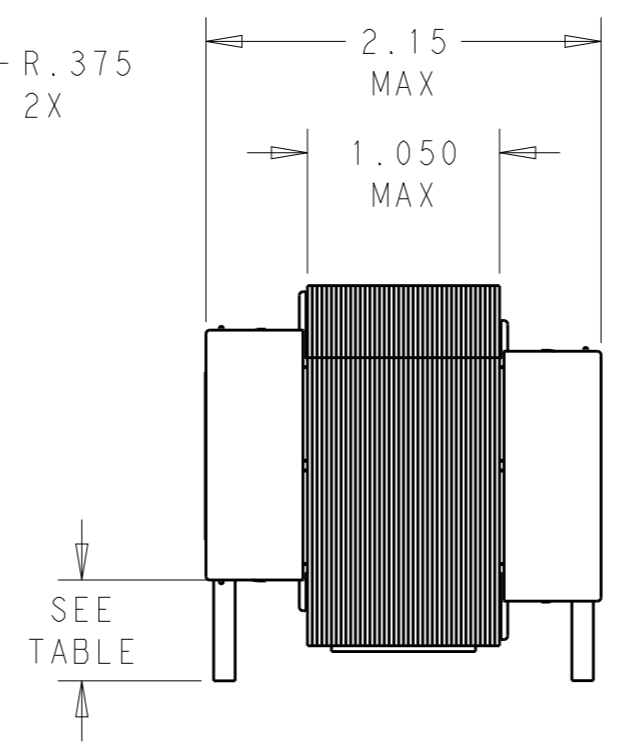
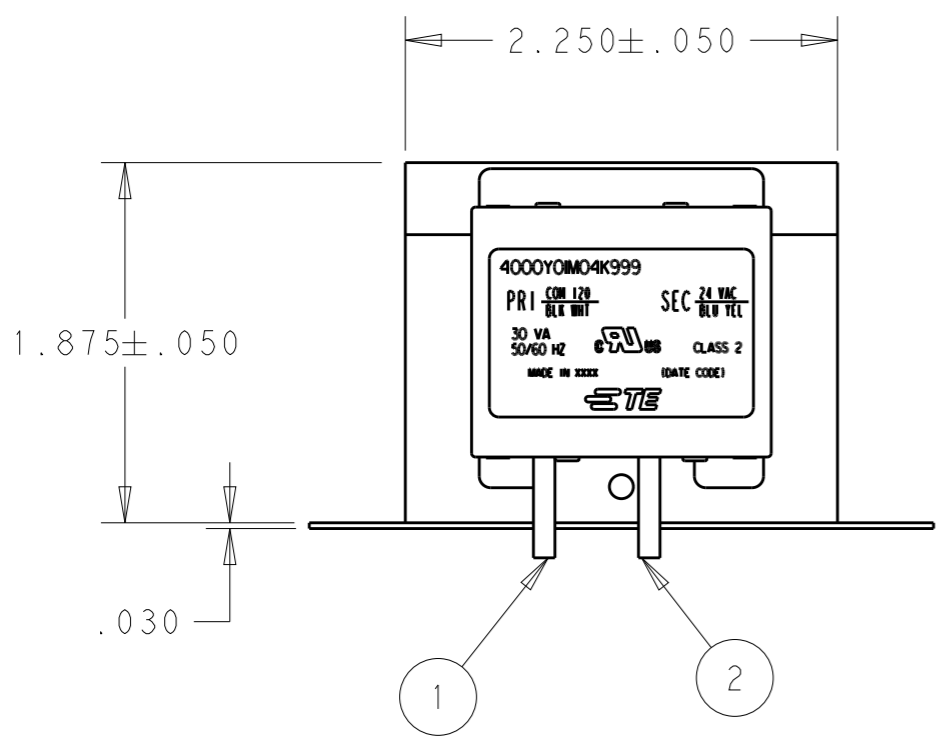
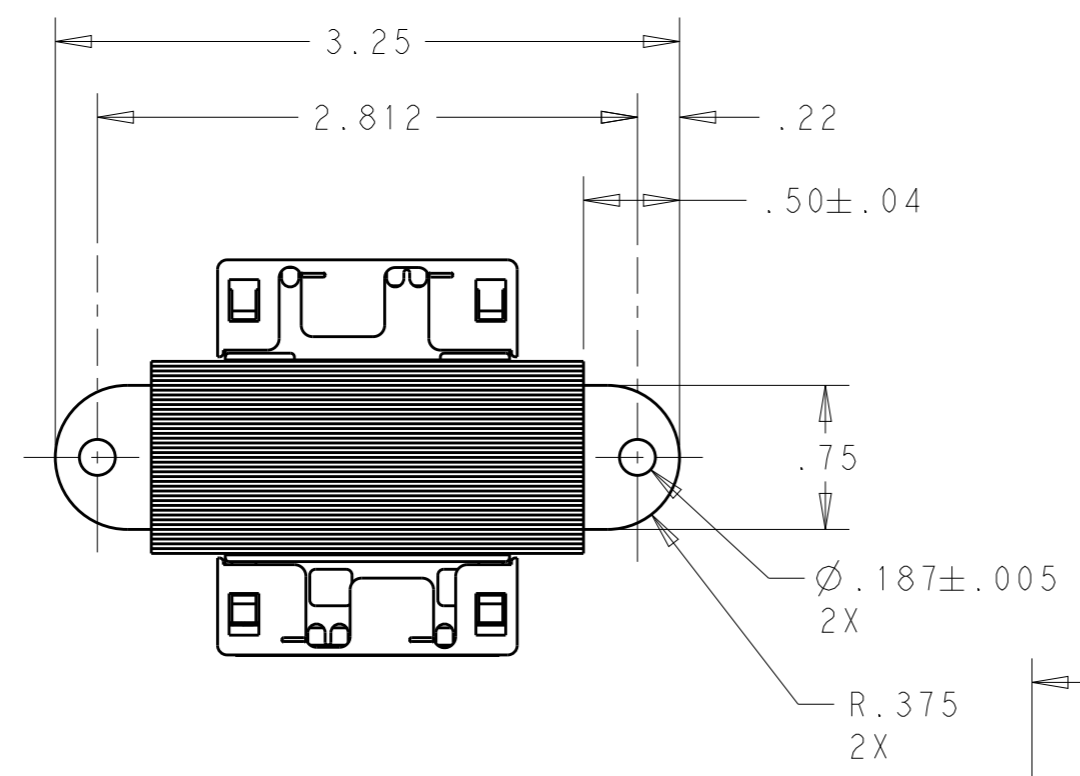


THIS DRAWING IS UNPUBLISHED. RELEASED FOR PUBLICATION 20  
 © COPYRIGHT 20 BY - ALL RIGHTS RESERVED.

REVISIONS				
P	LTR	DESCRIPTION	DATE	APVD
A		ECR-17-017087	05JAN2018	VS DB

CERTIFICATION: UL & CUL FILE NO. E87824					
PRIMARY			SECONDARY		
LEAD NO.	1	2	LEAD NO.	6	7
VOLTAGE	COM	120	VOLTAGE	24	VAC
COLOR	BLK	WHT	COLOR	BLU	YEL
LENGTH	12.0	12.0	LENGTH	12.0	12.0
STRIP LENGTH	.50		STRIP LENGTH	.50	

1. ALL LEADS ARE 18AWG UNLESS OTHERWISE SPECIFIED AND HAVE A TOLERANCE OF +1.0/-0. STRIP TOLERANCE OF ±1/32.
2. WINDING PROTECTION: INHERENTLY LIMITING.



THIS DRAWING IS A CONTROLLED DOCUMENT.	
DIMENSIONS: INCHES	TOLERANCES UNLESS OTHERWISE SPECIFIED:
	0 PLC ±-
	1 PLC ±.1
	2 PLC ±.03
	3 PLC ±.015
	4 PLC ±-
	ANGLES ±-
MATERIAL	FINISH
-	-

DWN	VIC SLACK	30NOV2017
CHK	D. BLOESCH	30NOV2017
APVD	D. BLOESCH	30NOV2017
PRODUCT SPEC	-	-
APPLICATION SPEC	-	-
WEIGHT	-	-
CUSTOMER DRAWING		

<b>STE</b> TE Connectivity			
NAME: TRANSFORMER OUTLINE			
SIZE	CAGE CODE	DRAWING NO	RESTRICTED TO
A3	-	4000Y01M04K999	-
SCALE: 1:1		SHEET: 1 OF 1	REV: A

3-1611471-4  
TE PART NO.