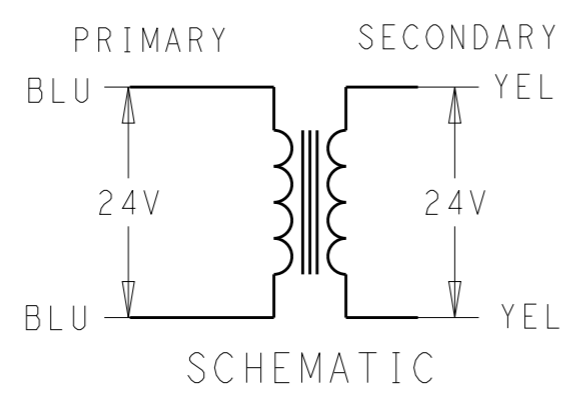
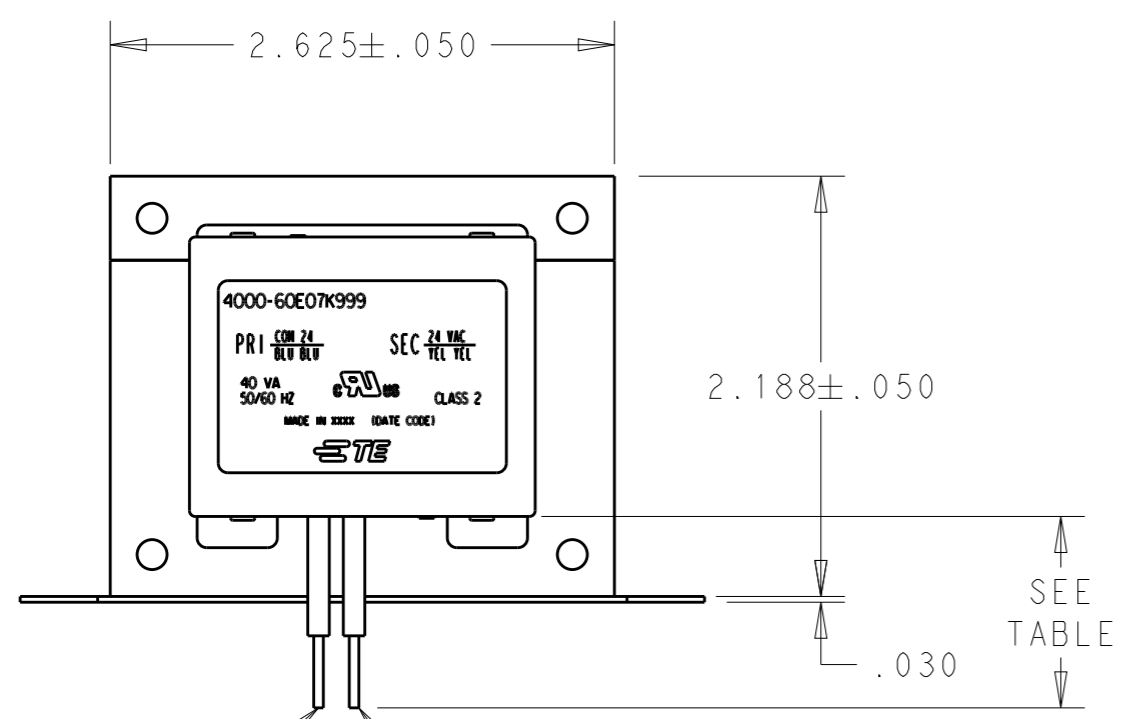
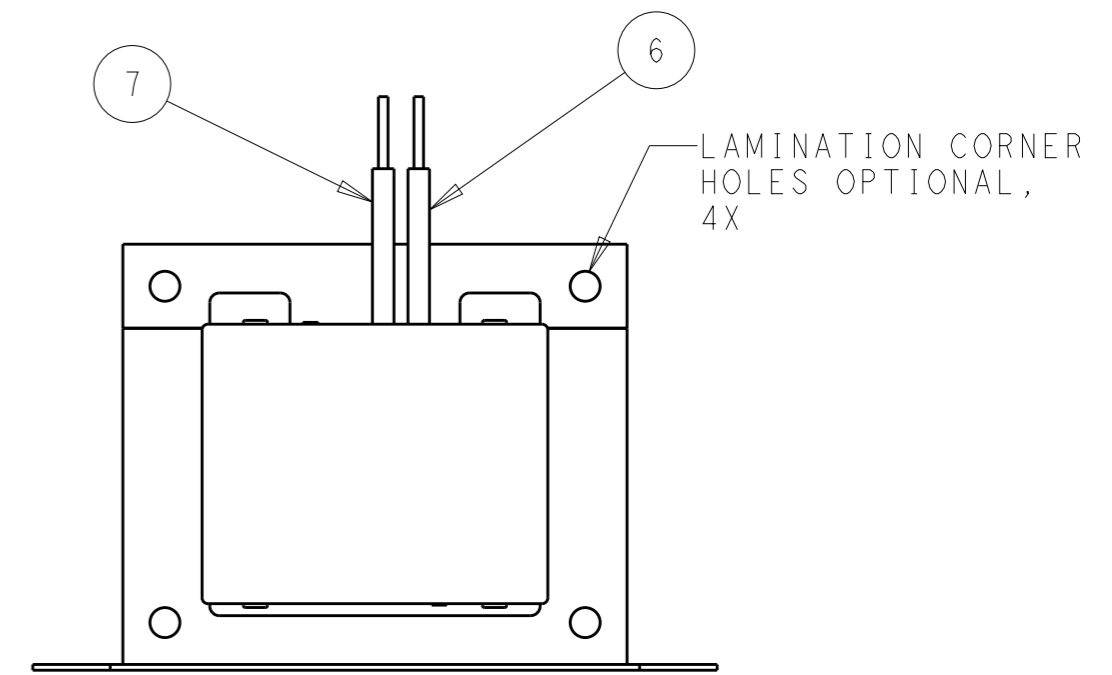
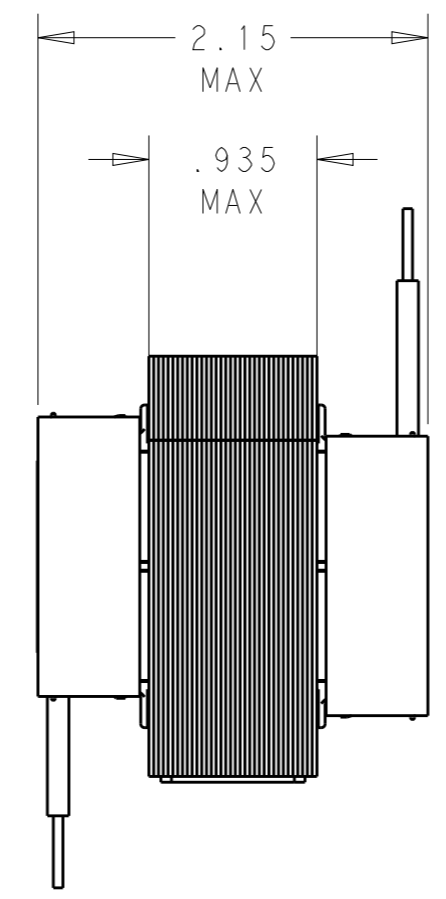
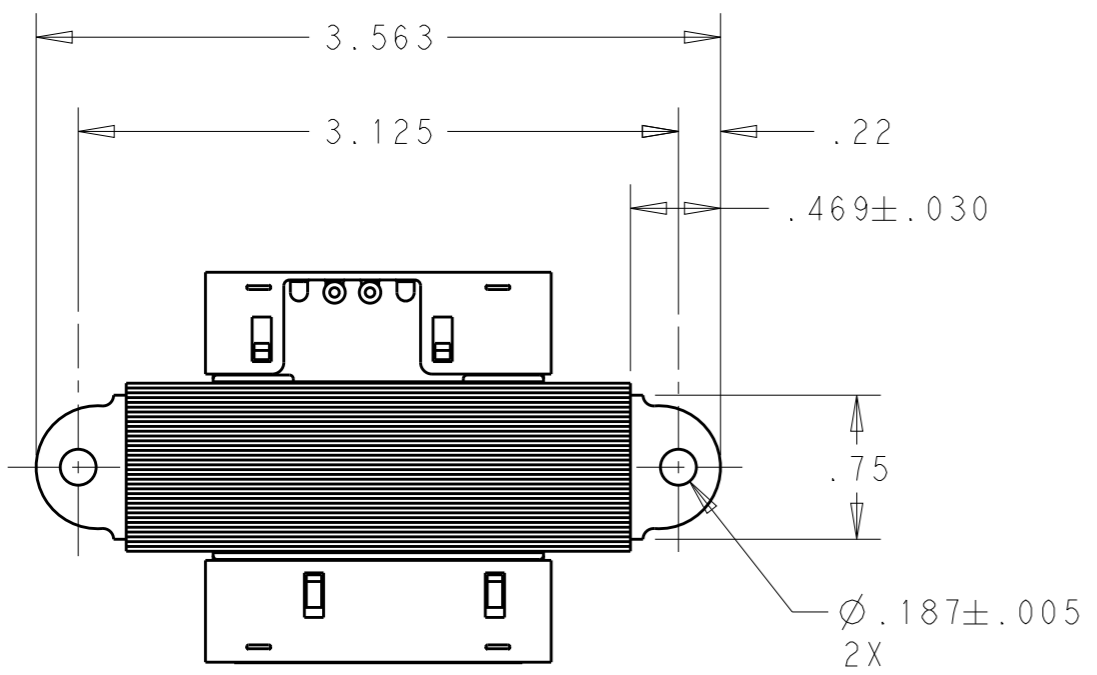


THIS DRAWING IS UNPUBLISHED. RELEASED FOR PUBLICATION 20  
 © COPYRIGHT 20 BY - ALL RIGHTS RESERVED.

REVISIONS				
P	LTR	DESCRIPTION	DATE	APVD
B		ECR-18-016020	19AUG2019	VS DB

CERTIFICATION:UL & CUL FILE NO. E87824					
PRIMARY			SECONDARY		
LEAD NO.	1	2	LEAD NO.	6	7
VOLTAGE	COM	24	VOLTAGE	24	VAC
COLOR	BLU	BLU	COLOR	YEL	YEL
LENGTH	12.0	12.0	LENGTH	12.0	12.0
STRIP LENGTH	.50	.50	STRIP LENGTH	.50	.50

1. ALL LEADS ARE 18AWG UNLESS OTHERWISE SPECIFIED AND HAVE A TOLERANCE OF +1.0/-0
2. STRIP TOLERANCE IS ±1/32.
3. WINDING PROTECTION: INHERENTLY LIMITING.



THIS DRAWING IS A CONTROLLED DOCUMENT.

DIMENSIONS: INCHES	TOLERANCES UNLESS OTHERWISE SPECIFIED:
	0 PLC ±-
	1 PLC ±.1
	2 PLC ±.03
	3 PLC ±.015
	4 PLC ±-
	ANGLES ±-

MATERIAL: - FINISH: -

DWN	VIC SLACK	18OCT2018
CHK	D. BLOESCH	18OCT2018
APVD	D. BLOESCH	18OCT2018
PRODUCT SPEC	-	-
APPLICATION SPEC	-	-
WEIGHT	-	-
CUSTOMER DRAWING		

9-1611455-8  
TE PART NO.

**STC** TE Connectivity

NAME: TRANSFORMER OUTLINE

SIZE	CAGE CODE	DRAWING NO	RESTRICTED TO
A3	-	4000-60E07K999	-

SCALE: 1:1 SHEET: 1 OF 1 REV: B