

4

3

2

1

THIS DRAWING IS UNPUBLISHED.

RELEASED FOR PUBLICATION

20

© COPYRIGHT 20

BY TYCO ELECTRONICS CORPORATION

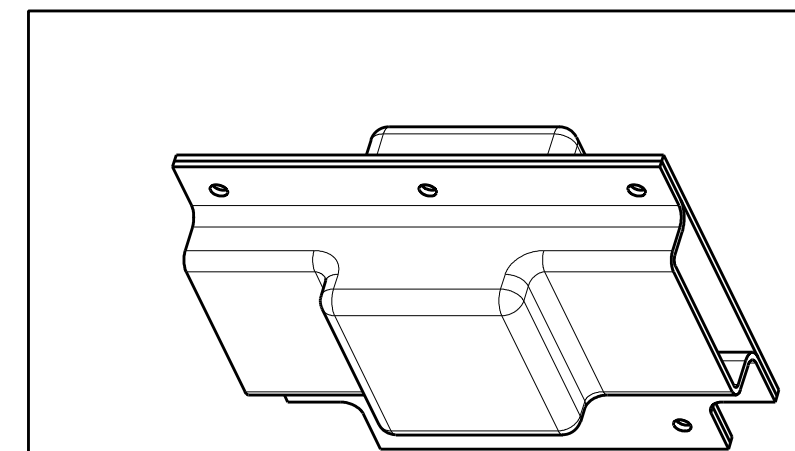
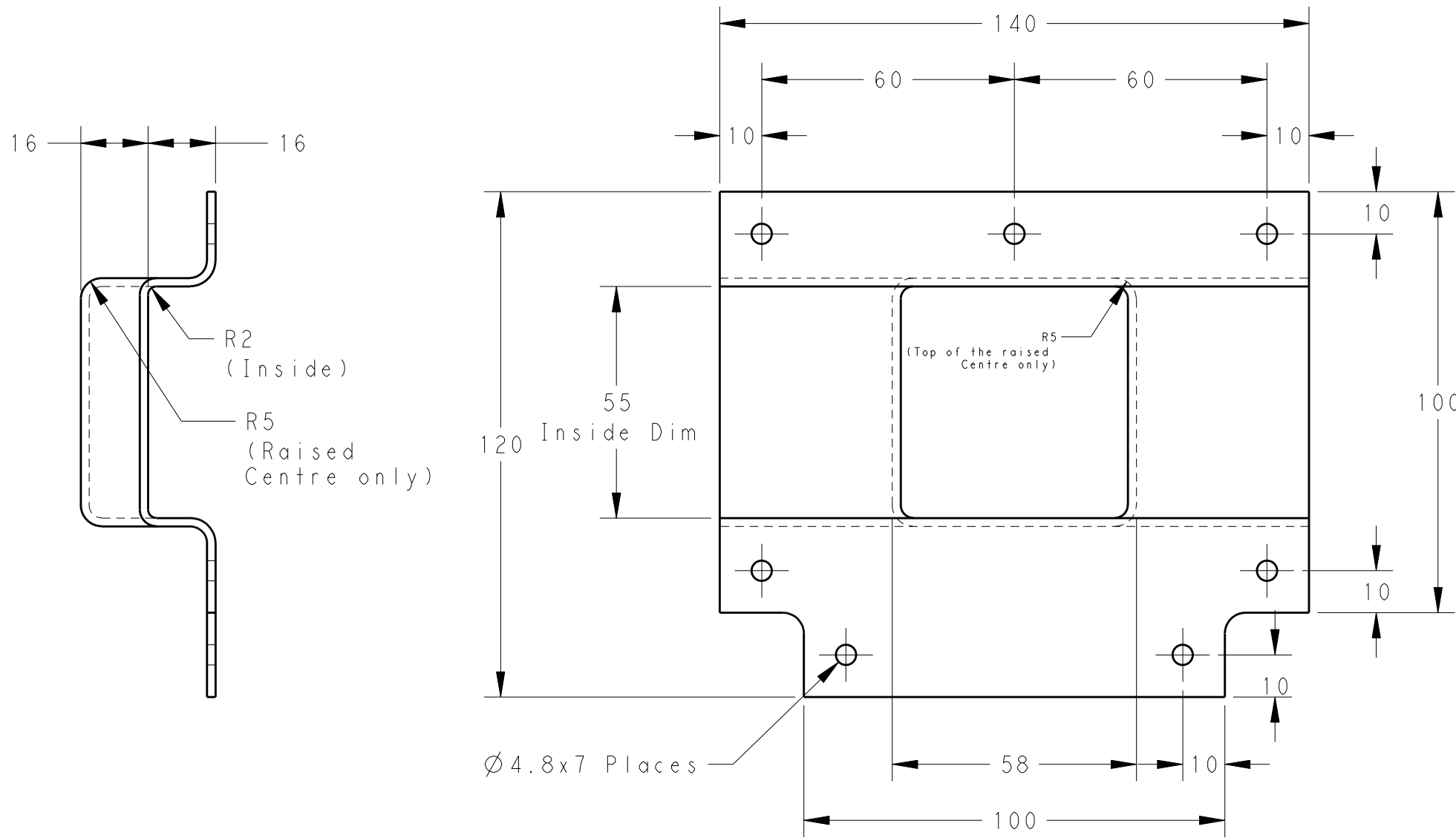
ALL RIGHTS RESERVED.

LOC	DIST
-	-

REVISIONS

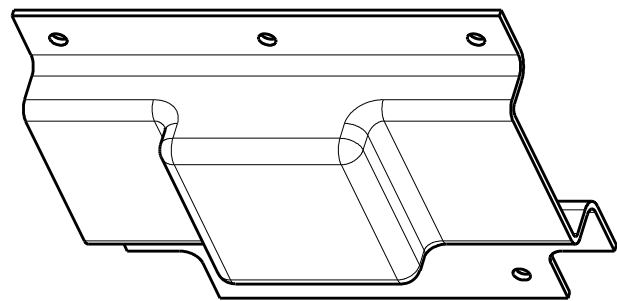
P	LTR	DESCRIPTION	DATE	DWN	APVD
	A	Hole Size Changes from 6mm to 4.8mm and Note No.3 Changes.	05SEP2012	V.P	I.B

FRONT PIECE



SCALE 1:2

(Assy. view for external reference only)




SCALE 1:2

(Front Piece for external reference only)

THIS DRAWING IS A CONTROLLED DOCUMENT.

DIMENSIONS:		TOLERANCES UNLESS OTHERWISE SPECIFIED:	
mm		6 PLC	\pm
		1 PLC	± 0.5
		2 PLC	± 0.13
		3 PLC	± 0.013
		4 PLC	± 0.0001
		ANGLES	\pm
MATERIAL	-	FINISH	-

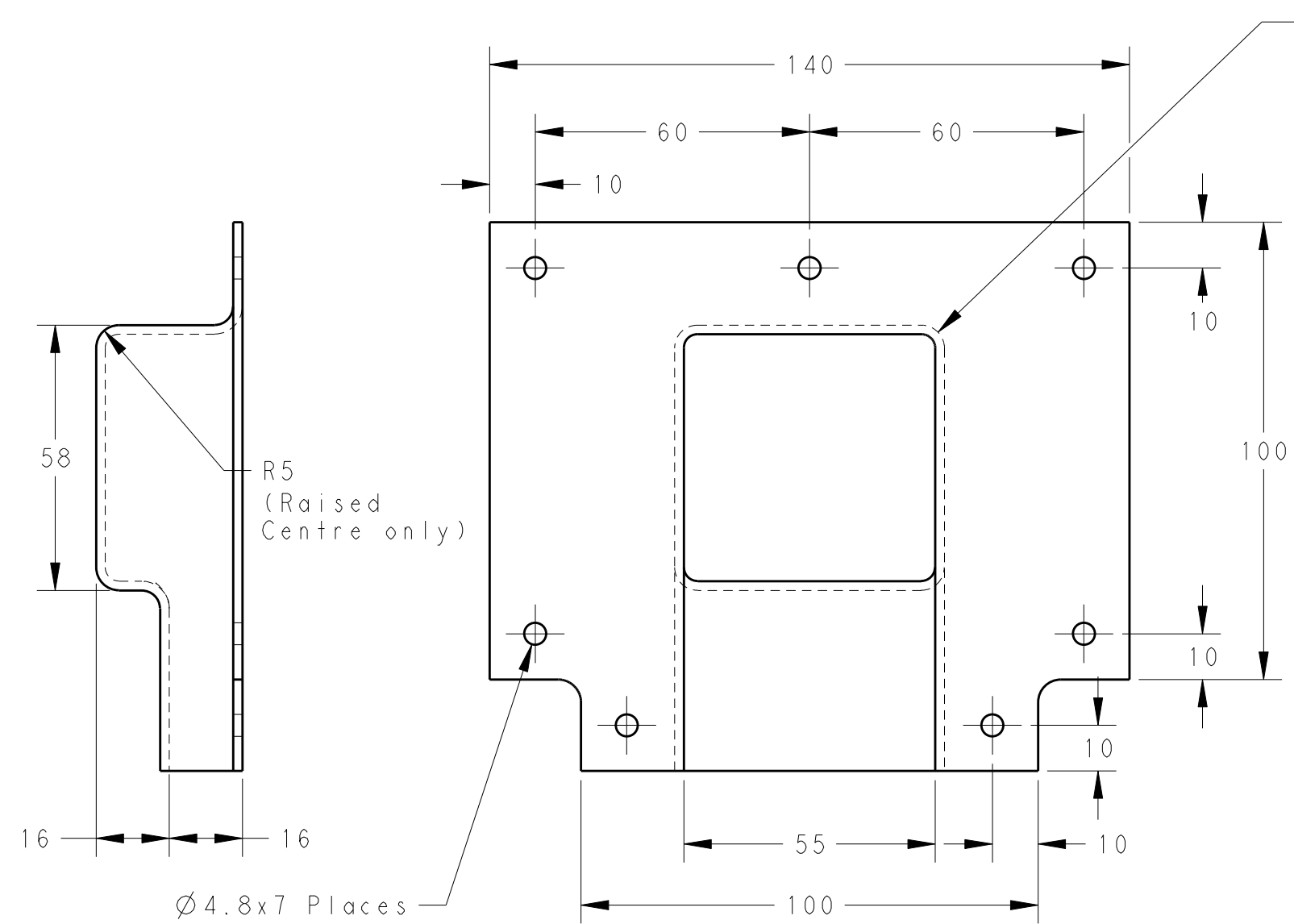
DWN	Vishnu	04JUL2012
CHK	I.Bond	04JUL2012
APVD	I.Bond	04JUL2012
PRODUCT SPEC	-	
APPLICATION SPEC	-	
WEIGHT	-	
CUSTOMER DRAWING		

 TE Connectivity		NAME	
		BMOD-HV-050-T11-00(B12)	
SIZE	CAGE CODE	DRAWING NO	RESTRICTED TO
A3	00779	4-1899738-9	-
SCALE		SHEET	REV
-		1 OF 2	A

THIS DRAWING IS UNPUBLISHED. RELEASED FOR PUBLICATION 20
 © COPYRIGHT 20 BY TYCO ELECTRONICS CORPORATION ALL RIGHTS RESERVED.

LOC		DIST		REVISIONS			
P	LTR	DESCRIPTION	DATE	DWN	APVD		
-	-	SEE SHEET 1	-	-	-		

BACK PIECE



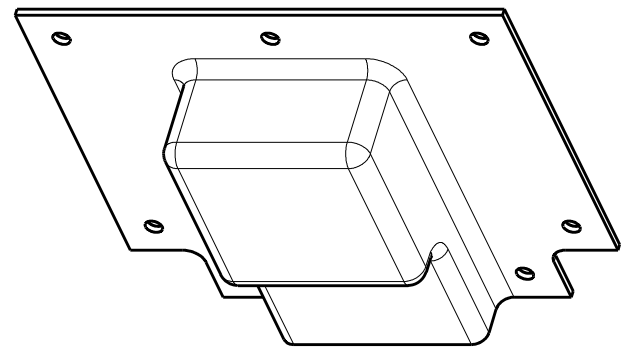
R5
(Top of the raised Centre only)

R5
(Raised Centre only)

Ø4.8x7 Places

NOTES:

1. Parts shall be kitted 24pcs per box, 12 pairs of covers
2. Parts shall be supplied in the open position
3. Parts shall be kitted with 7 x LVIC-RIV-TS555 PCN: 319851-000, or with Raysulate equivalent part, per pair of covers.
4. Parts shall be kitted with Installation Instruction: ESD-6064-6/12



SCALE 1:2

(Back Piece for external reference only)

THIS DRAWING IS A CONTROLLED DOCUMENT.		DWN Vishnu 04JUL2012	TE Connectivity		
DIMENSIONS: mm		CHK I. Bond 04JUL2012			
TOLERANCES UNLESS OTHERWISE SPECIFIED:		APVD I. Bond 04JUL2012	NAME BMOD-HV-050-T11-00(B12)		
0 PLC ± 1 PLC ±0.5 2 PLC ±0.13 3 PLC ±0.013 4 PLC ±0.0001 ANGLES ±		PRODUCT SPEC -	RESTRICTED TO -		
MATERIAL -		APPLICATION SPEC -	SIZE A3	CAGE CODE 00779	DRAWING NO C-4-1899738-9
FINISH -		WEIGHT -	CUSTOMER DRAWING		
		SCALE -	SHEET 2 OF 2	REV A	