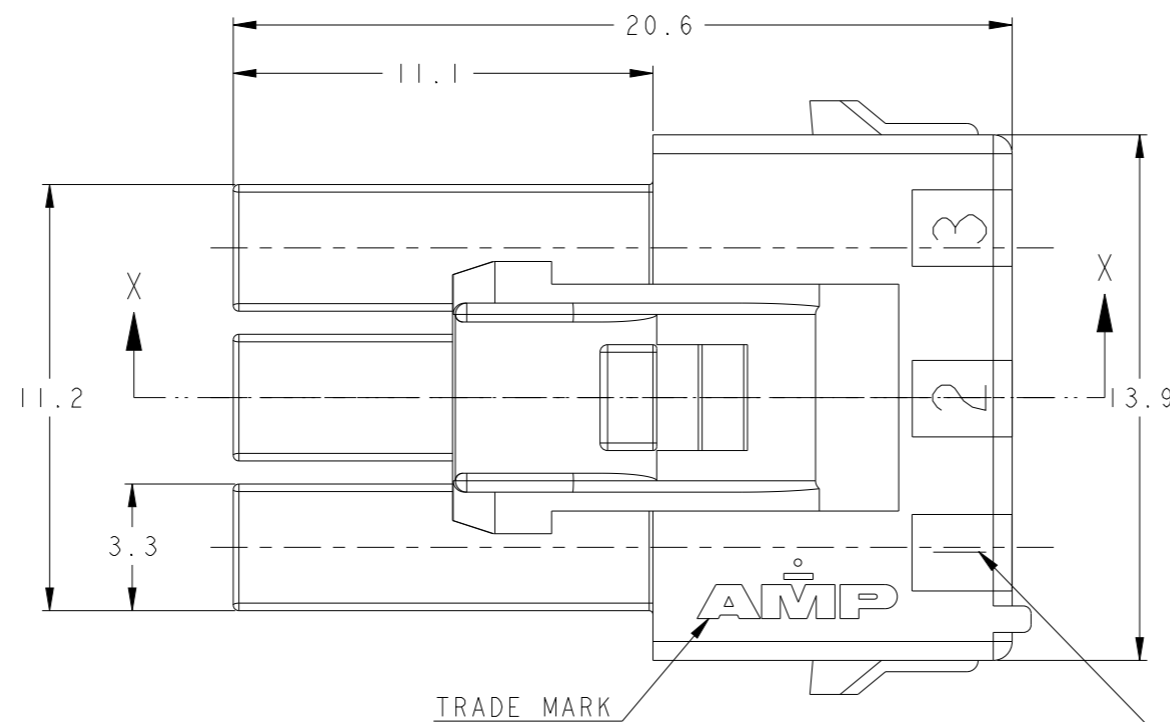
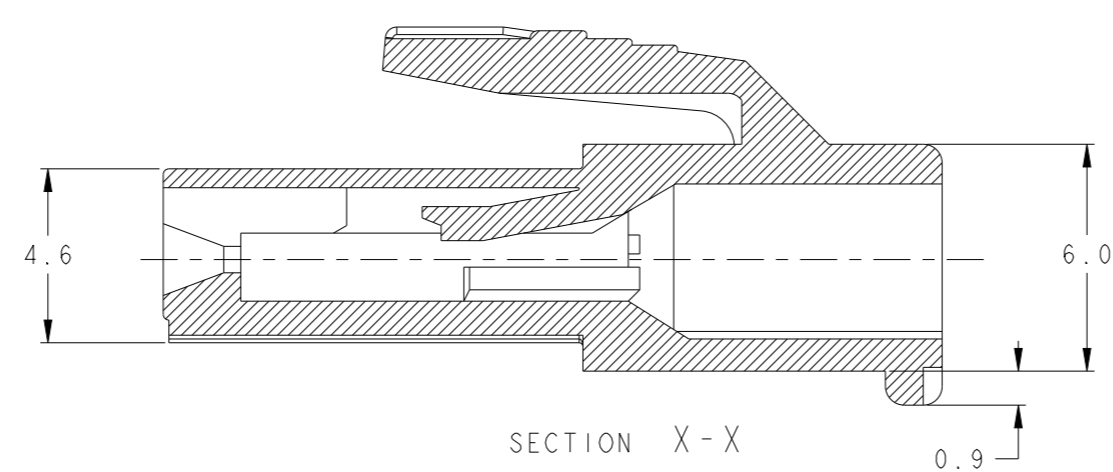
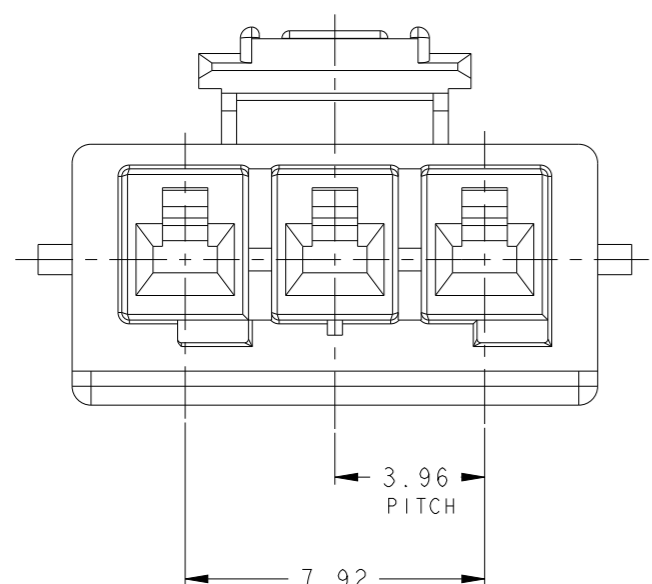


| P | LTR | DESCRIPTION | DATE | DWN | APVD |
|---|-----|---------------------------|-----------|-----|------|
| | D3 | REVISED PER ECR-22-134264 | 30MAR2022 | SC | D.Z |
| | | | | | |
| | | | | | |

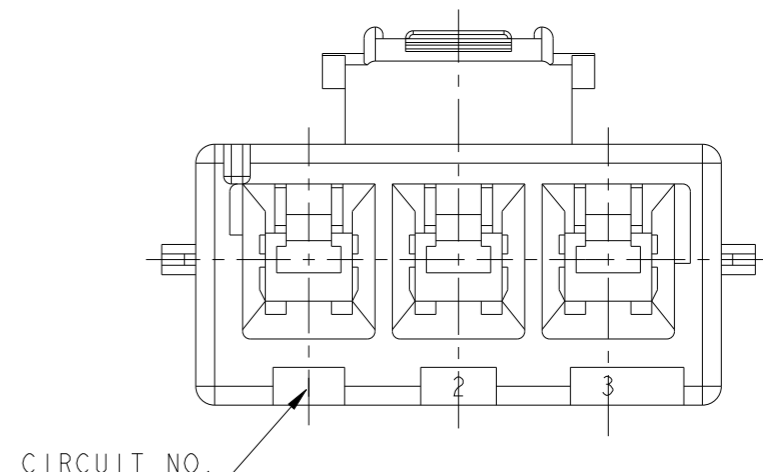


TRADE MARK

CIRCUIT NO.



SECTION X-X



CIRCUIT NO.

NOTES,

1. APPLICABLE RECEPTACLE TERMINAL:
 -REC CONTACT: 177915-□, □-2232901-□ (AWG#16-#20)
 : 177914-□, □-2232902-□ (AWG#22-#26)

2. MATING CONN. P/N:
 -CAP HSG: 368572-□ (FREE HANGING)
 2005250-□ (PANEL MOUNT)
 -TAB CONTACT: 177917-□ (AWG#16-#20)
 177916-□ (AWG#22-#26)
 -PC BOARD MOUNT(ASS'Y): 179839-□

3. APPLICABLE DOUBLE LOCK PLATE: 177919-1

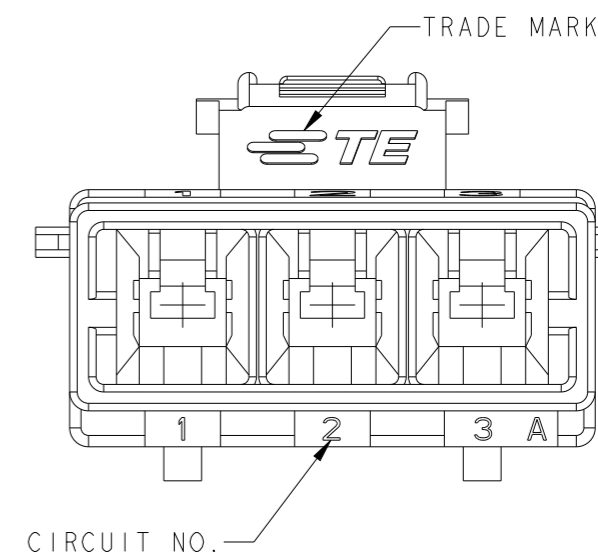
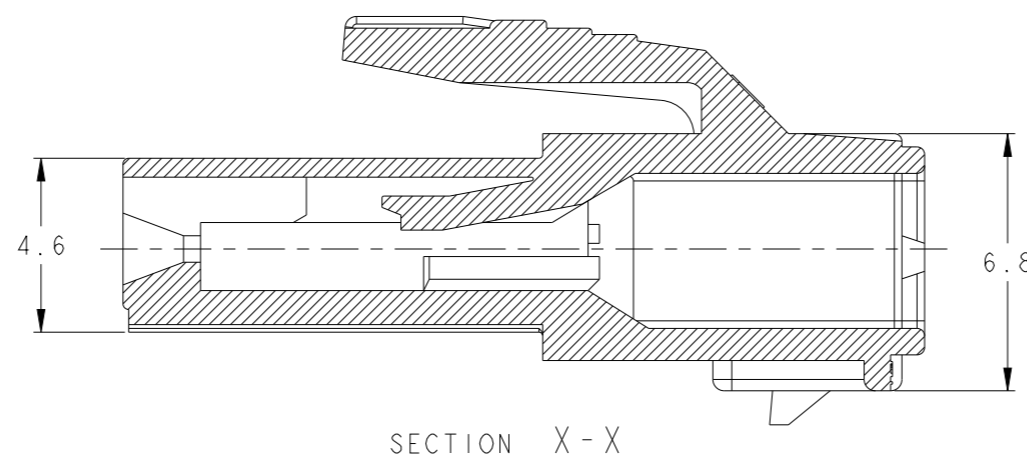
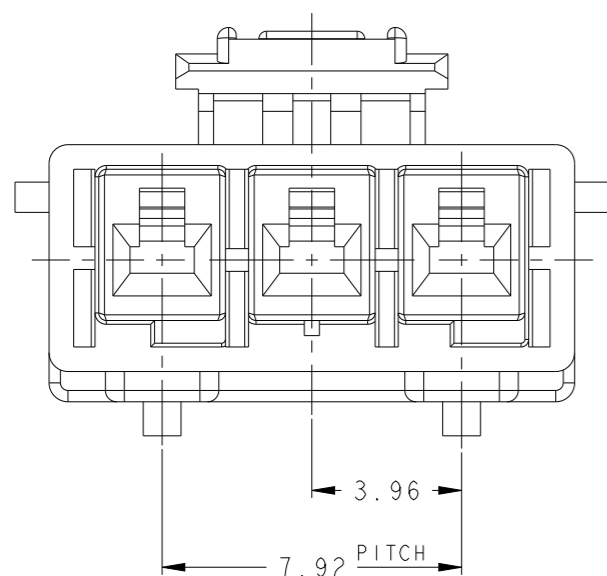
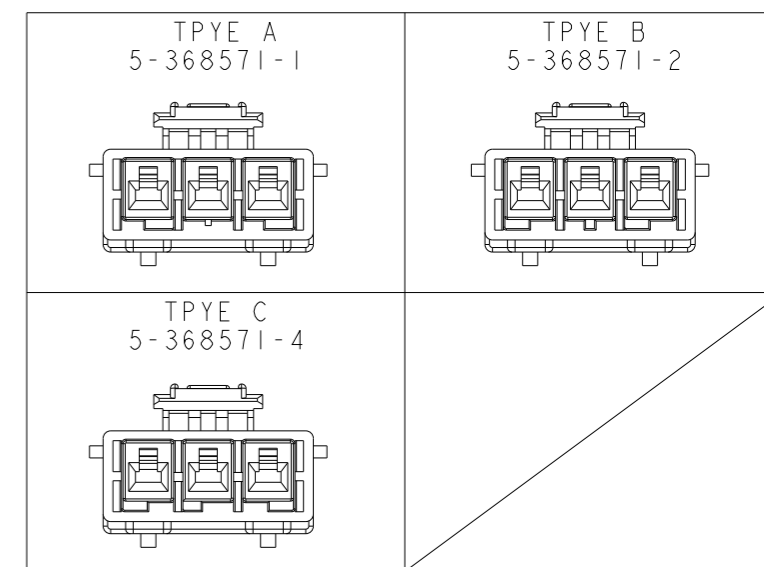
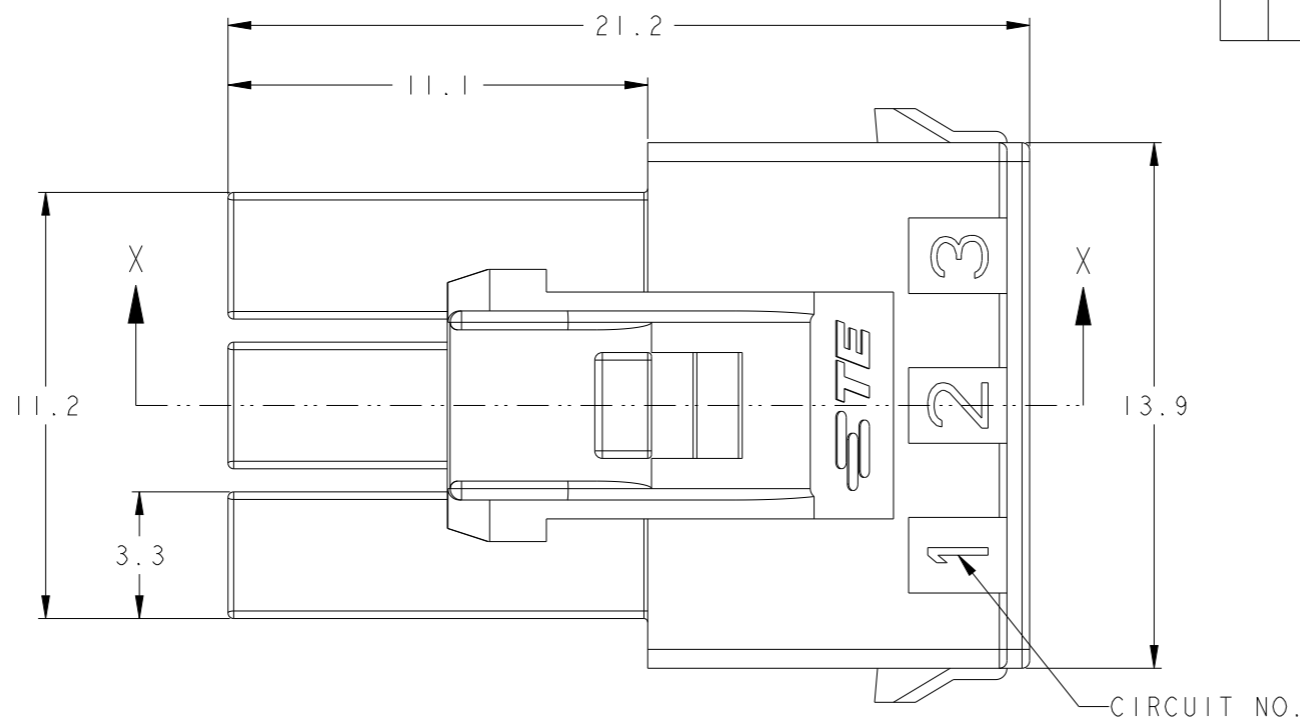
4. GENERAL TOLERANCES: ±0.3

5. MATERIAL: PA66, UL94V-0,
 COMPLY WITH GLOW WIRE REQUIREMENT FOR PARTS OF NON-METALLIC
 MATERIAL SUPPORTING A CURRENT-CARRYING CONNECTION DETAILED
 IN IEC 60335-1, SECTION 30(GWT)

| | |
|----------|---------|
| 368571-9 | BLACK |
| 368571-6 | BLUE |
| 368571-4 | YELLOW |
| 368571-2 | RED |
| 368571-1 | NATURAL |
| P/N | COLOR |

| | | | | | |
|--|--|---|--|--------------------------------------|--|
| THIS DRAWING IS A CONTROLLED DOCUMENT. | | DWN KD CHEON | | TE Connectivity | |
| DIMENSIONS: mm | | CHK BH CHO | | | |
| | | TOLERANCES UNLESS OTHERWISE SPECIFIED: | | NAME PDL 3P PLUG HSG 3.96mm (GWT) | |
| | | 0 PLC ± 1 PLC ± 2 PLC ± 3 PLC ± 4 PLC ± ANGLES ± FINISH - | | APVD BW KANG | |
| MATERIAL 5 | | PRODUCT SPEC 108-5410 | | APPLICATION SPEC 114-5175 | |
| | | WEIGHT - | | SIZE A3 | |
| | | CUSTOMER DRAWING | | CAGE CODE 00779 | |
| | | | | DRAWING NO 368571 | |
| | | | | RESTRICTED TO - | |
| | | | | SCALE 3:1 | |
| | | | | SHEET 1 OF 2 | |
| | | | | REV D3 | |

| P | LTR | DESCRIPTION | DATE | DWN | APVD |
|---|-----|-------------|------|-----|------|
| | | SEE SHEET 1 | | | |



NOTES,

1. APPLICABLE RECEPTACLE TERMINAL:
 -REC CONTACT: 1743729-□, 2369500-□, □-2232901-□ (AWG#16-#20)
 : 1743728-□, 2369501-□, □-2232902-□ (AWG#22-#26)

2. MATING CONN. P/N:
 -CAP HSG: 5-368572-□ (FREE HANGING)
 -TAB CONTACT: 177917-□ OR 2369503-□ (AWG#16-#20)
 177916-□ OR 2369502-□ (AWG#22-#26)


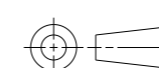
3. APPLICABLE DOUBLE LOCK PLATE:
 -FOR AWG#20: 2-2360442-0 AND 2-2360443-0
 -FOR AWG#24: 2-2360442-4 AND 2-2360443-4

4. GENERAL TOLERANCES: ±0.3

5. MATERIAL: PA66, UL94V-0,
 COMPLY WITH GLOW WIRE REQUIREMENT FOR PARTS OF NON-METALLIC
 MATERIAL SUPPORTING A CURRENT-CARRYING CONNECTION DETAILED
 IN IEC 60335-1, SECTION 30(GWT)

6. UNEVEN COLORING MAY APPEAR DUE TO COLOR BLENDING

| | | |
|--------|---------|------------|
| C | YELLOW | 5-368571-4 |
| B | RED | 5-368571-2 |
| A | NATURAL | 5-368571-1 |
| KEYING | COLOR | P/N |

| | | | | |
|--|--|-----------------------------------|---|------------------------|
| THIS DRAWING IS A CONTROLLED DOCUMENT. | | DWN SC KIM 27APR2020 |  TE Connectivity | |
| DIMENSIONS: mm | | CHK - | | |
| TOLERANCES UNLESS OTHERWISE SPECIFIED: | | APVD DANIEL ZHANG 27APR2020 | NAME FOAMING PROOF PLUG HSG 3P | |
|  0 PLC ±. 1 PLC ±. 2 PLC ±. 3 PLC ±. 4 PLC ±. ANGLES ±. FINISH - | | PRODUCT SPEC 108-5410 | SIZE A3 | |
| MATERIAL 5 | | APPLICATION SPEC 114-5175 | CAGE CODE 00779 | DRAWING NO C-368571 |
| | | WEIGHT - | RESTRICTED TO - | |
| | | CUSTOMER DRAWING | SCALE 5:1 | SHEET 2 OF 2 |
| | | | REV D3 | |