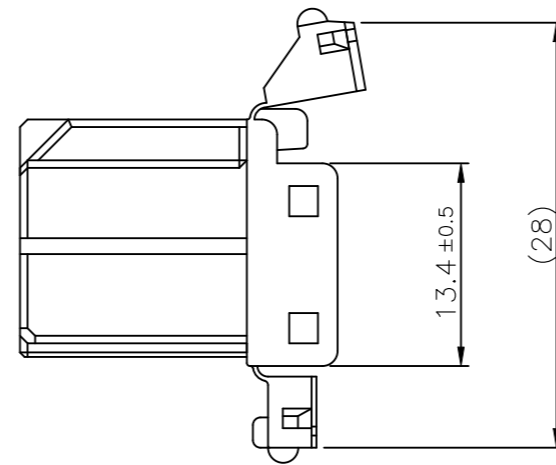
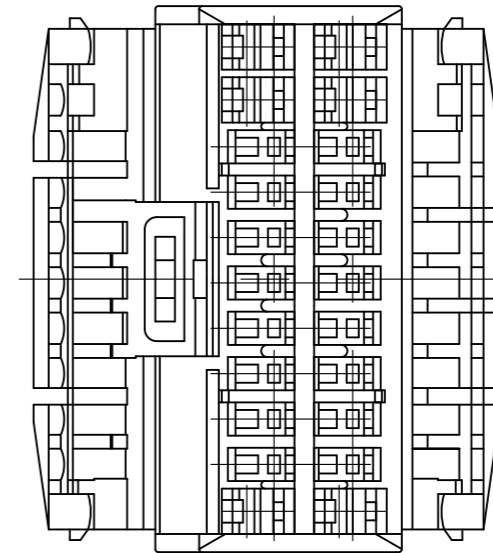
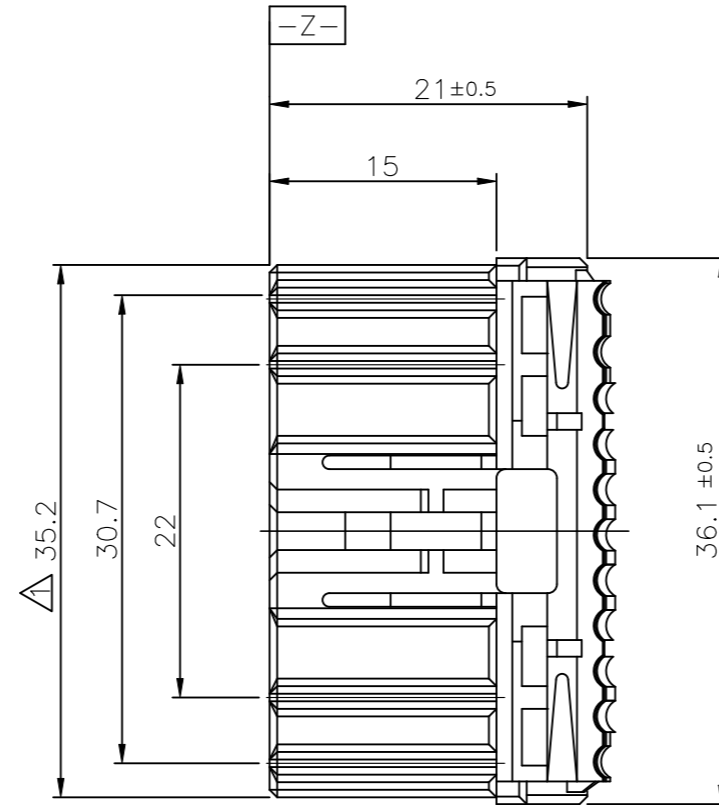
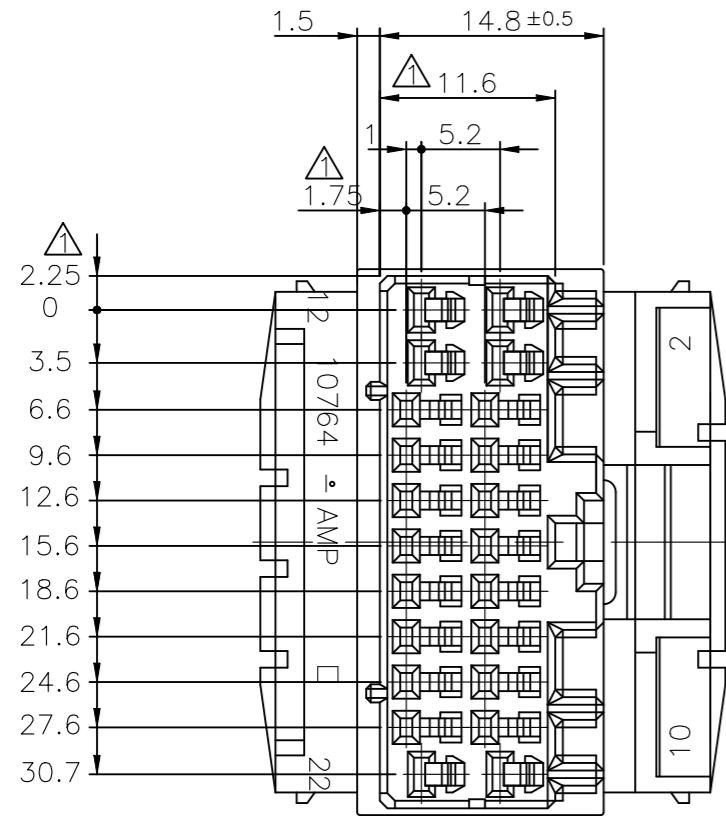


REVISIONS

P	LTR	DESCRIPTION	DATE	DWN	APVD
	A2	REVISED PER ECR-24-206529	22APR2024	RK	YK



	YELLOW	-7
	GRAY	-6
Ⓐ	OBSOLETE BLACK	2
	NATURAL	-1
	COLOR	P/N

NOTES;

- ⚠ MUST BE KEPT BETWEEN $\boxed{-Z-}$ AND 2mm.
- THE MATING CAP HOUSING PART NUMBER, 174518
- APPLIDE CONTACT PART NUMBER, 173631, 173716
- APPLICABLE PRODUCT SPEC NO. 108-5280

TOLERANCES UNLESS OTHERWISE SPECIFIED:

0 <XX<10	± 0.2
10 <XX<30	± 0.25
30 <XX	± 0.3
ANGLES	± 3°

THIS DRAWING IS A CONTROLLED DOCUMENT.		DWN	HS BAE	TE Connectivity												
DIMENSIONS: mm		CHK	BM JANG													
TOLERANCES UNLESS OTHERWISE SPECIFIED:		APVD	CS LEE				NAME									
<table> <tbody> <tr> <td>0 PLC</td> <td>± -</td> </tr> <tr> <td>1 PLC</td> <td>± -</td> </tr> <tr> <td>2 PLC</td> <td>± -</td> </tr> <tr> <td>3 PLC</td> <td>± -</td> </tr> <tr> <td>4 PLC</td> <td>± -</td> </tr> <tr> <td>ANGLES</td> <td>± -</td> </tr> </tbody> </table>		0 PLC	± -				1 PLC	± -	2 PLC	± -	3 PLC	± -	4 PLC	± -	ANGLES	± -
0 PLC	± -															
1 PLC	± -															
2 PLC	± -															
3 PLC	± -															
4 PLC	± -															
ANGLES	± -															
MATERIAL	PBT	FINISH	-	SIZE	A3											
		WEIGHT	-	CAGE CODE	00779											
		CUSTOMER DRAWING		DRAWING NO	C-368135											
				RESTRICTED TO	-											
				SCALE	2:1											
				SHEET	1 OF 1											
				REV	A2											