

4

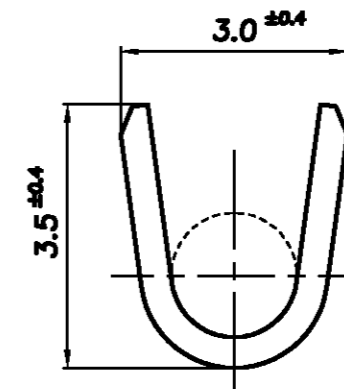
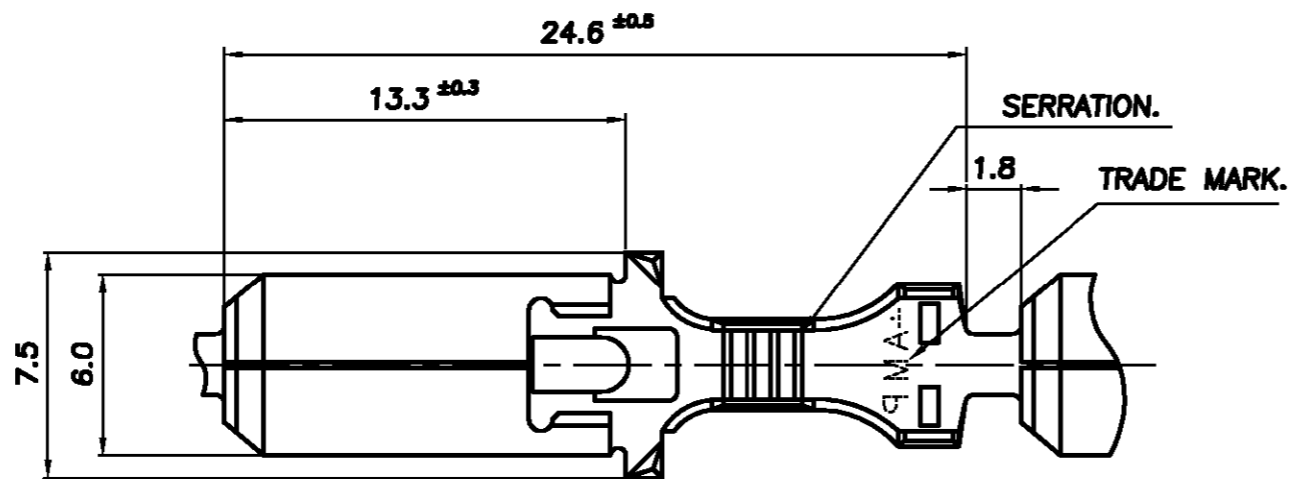
3

2

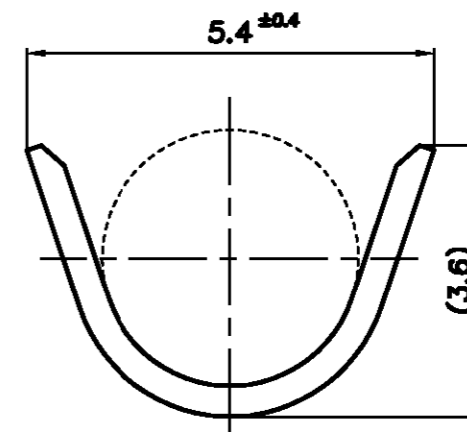
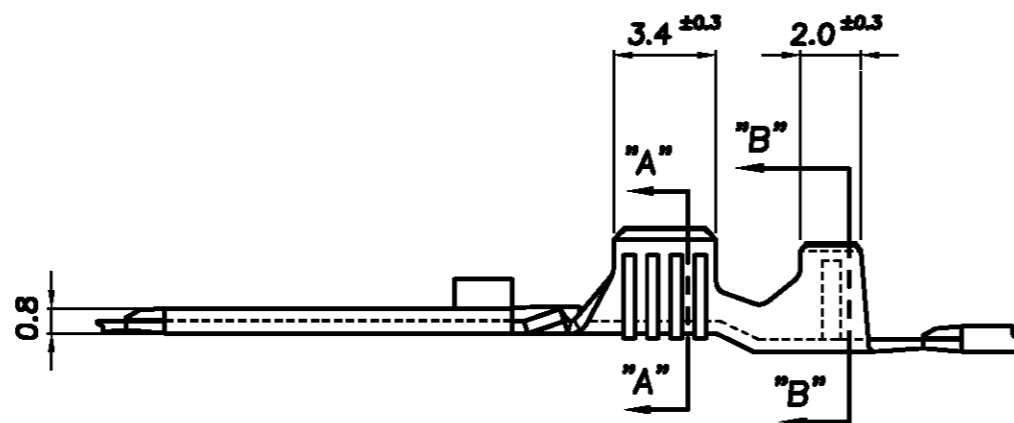
1

THIS DRAWING IS UNPUBLISHED. RELEASED FOR PUBLICATION 2004 .  
 © COPYRIGHT 2004 BY AMP KOREA. ALL RIGHTS RESERVED.

LOC	DIST	REVISIONS				
P	LTR	DESCRIPTION	DATE	DWN	APVD	
	A	RELEASED	20/NOV/08	BS	JK	



SECTION "A-A"  
(SCALE=10/1)



SECTION "B-B"  
(SCALE=10/1)

\* NOTES;  
 1. RECEPTACLE CONTACT P/N 368078.

FINISH		BRASS (0.4t)		368079-1	
MATERIAL		MATERIAL		PART NUMBER	
THIS DRAWING IS CONTROLLED DOCUMENT FOR AMP KOREA. IT IS SUBJECT TO CHANGE AND THE CONTROLLING ENGINEERING ORGANIZATION SHOULD BE CONTACTED FOR THE LATEST REVISION.		DWN BS YOO		AMP KOREA. kyungsan, korea	
DIMENSIONS: MM		CHK YH GNDI		NAME	
TOLERANCES UNLESS OTHERWISE SPECIFIED:		APVD JK SONG		"250"SERIES TAB WITHOUT LATCH FOR SEALED CONNECTOR.	
0 <XX<10 ± 0.4		PRODUCT SPEC		SIZE	
10 ≤ XX < 30 ± 0.4		APPLICATION SPEC		CAGE CODE	
MATERIAL		WEIGHT		DRAWING NO	
SEE TABLE		SEE TABLE		A3 00779 C- 368079	
		CUSTOMER DRAWING		SCALE 4/1 SHEET 1 OF 1 REV A	