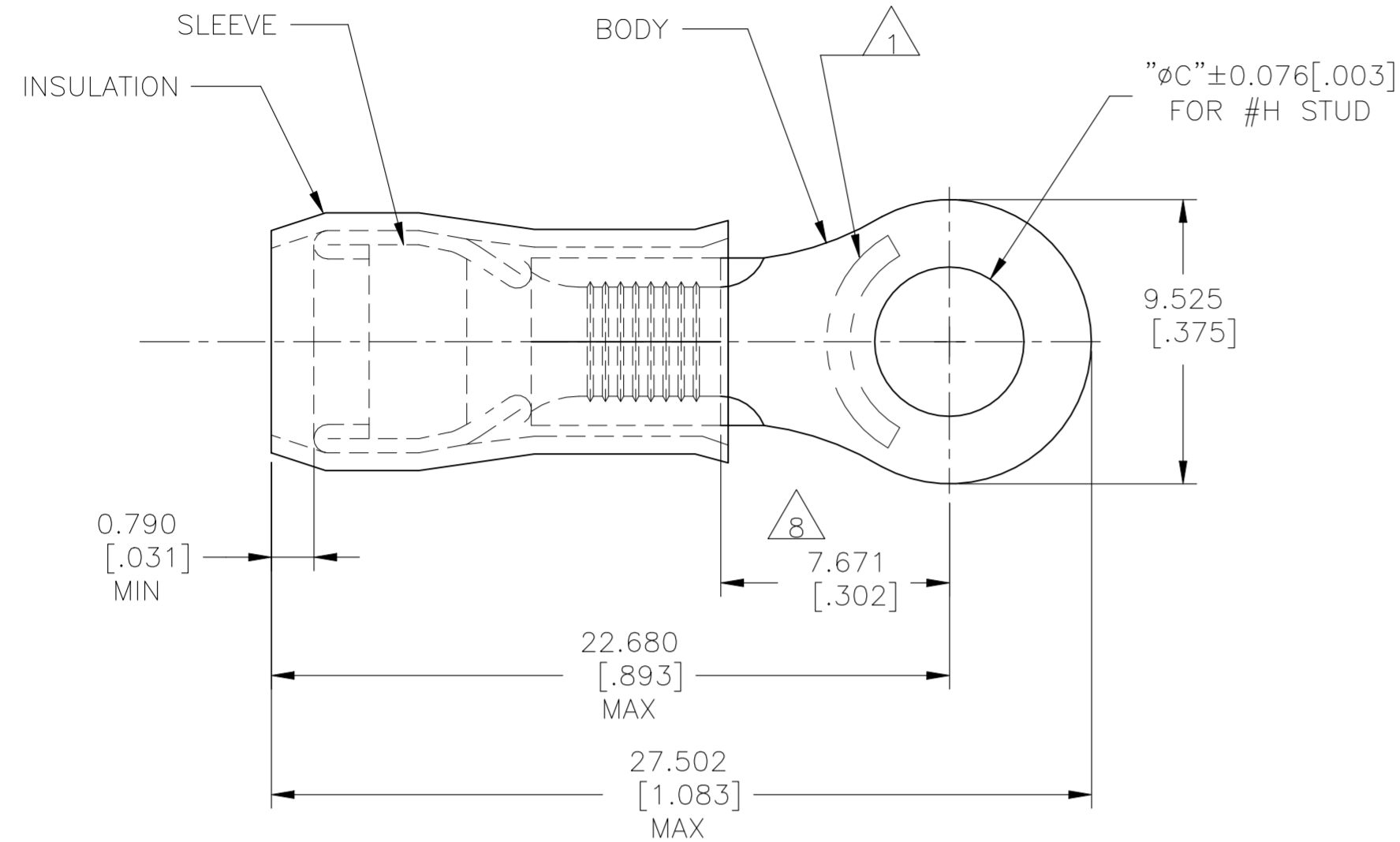


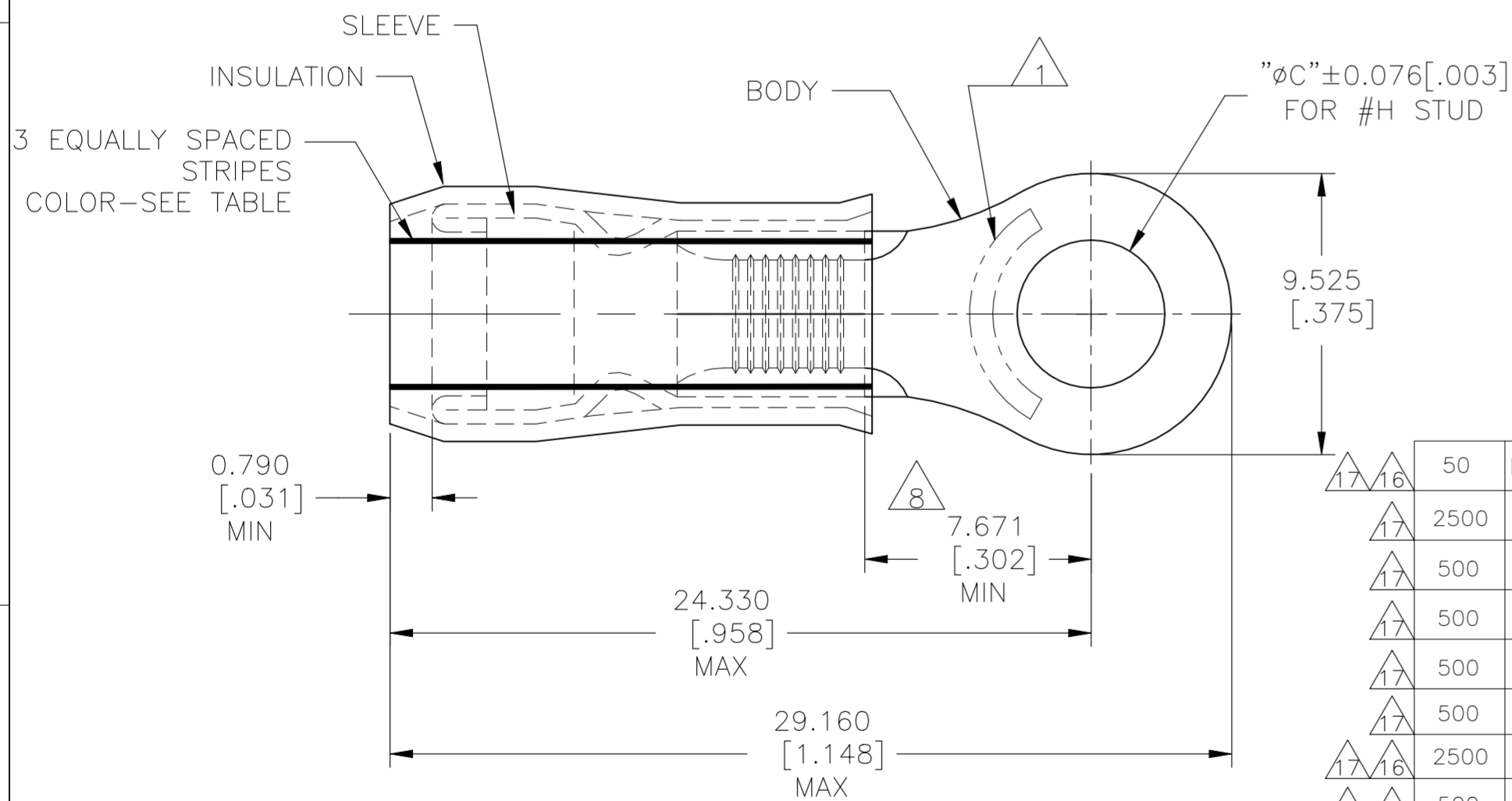
REVISIONS					
P	LTR	DESCRIPTION	DATE	DWN	APVD
AA5		REVISED PER ECN-22-156403	06JUN2022	RK	CSD



STYLE A

AMP WIRE RANGE	$\Delta 16$ ΔL E13288 Listed
12-10 AWG SOLID OR STRANDED IR: STRANDED	12-10 AWG STRANDED
$\Delta 17$ $\Delta 16$ LR7189 Certified	
12-10 AWG SOLID OR STRANDED IR: STRANDED	

- $\Delta 1$ STAMP "AMP - SEE TABLE" APPROX AS SHOWN.
- $\Delta 2$ WIRE INSULATION DIA: SEE TABLE.
- $\Delta 3$ BODY MATERIAL THK: 0.991±0.051[.039±.002].
- $\Delta 4$ BODY: TIN PLATE 0.00254[.000100] MIN EXT THK PER ASTM B545.
- $\Delta 5$ SLEEVE: TIN PLATE 0.00254[.000100] MIN EXT THK PER ASTM B545.
- $\Delta 6$ SLEEVE: NICKEL PLATE PER SAE AMS QQ-N-290.
- $\Delta 7$ BODY & SLEEVE- CU PER ASTM B152
INSULATION - NYLON PER ASTM D4066.
- $\Delta 8$ APPLIES FROM EDGE OF METAL WIRE BARREL TO CENTER OF STUD HOLE.
- $\Delta 9$ MEETS MS25036-112, CLASS 1.
- $\Delta 10$ NOTE DELETED
- $\Delta 11$ MEETS M7928/1-58, CLASS 1.
- $\Delta 12$ MEETS M7928/1-65, CLASS 1.
- $\Delta 13$ MEETS M7928/1-56, CLASS 1.
- $\Delta 14$ MEETS M7928/1-63, CLASS 1.
- $\Delta 15$ NOTE DELETED.
- $\Delta 16$ UL LISTED.
- $\Delta 17$ CSA CERTIFIED.



STYLE B
INSULATION RESTRICTING

QTY	PACKAGE TYPE	"H"	"C"	Δ STAMPING	WIRE INSUL DIA	WIRE SIZE	STRIPE COLOR	STYLE	BODY FINISH	SLEEVE FINISH	PART NO
50	LOOSE PIECE, BOX	#10	5.004[.197]	$\Delta 17$ $\Delta 16$	12-10*	3.810[.150]-5.842[.230]	12-10	--	A	$\Delta 5$	8-36161-2
2500	ON TAPE & REEL	#10	5.004[.197]	$\Delta 17$	12*	3.023[.119]-5.080[.200]	12	BROWN	B	$\Delta 6$	2-36161-8
500	LOOSE PIECE	[#6]M3.5	3.683[.145]	$\Delta 17$	10*	3.023[.119]-5.080[.200]	10	BROWN	B	$\Delta 6$ $\Delta 14$	2-36161-6
500	LOOSE PIECE	[#6]M3.5	3.683[.145]	$\Delta 17$	12*	2.413[.095]-5.080[.200]	12	YELLOW	B	$\Delta 6$ $\Delta 13$	2-36161-5
500	LOOSE PIECE	#10	5.004[.197]	$\Delta 17$	10*	3.023[.119]-5.080[.200]	10	BROWN	B	$\Delta 6$ $\Delta 12$	2-36161-4
500	LOOSE PIECE	#10	5.004[.197]	$\Delta 17$	12*	2.413[.095]-5.080[.200]	12	YELLOW	B	$\Delta 6$ $\Delta 11$	2-36161-3
2500	ON TAPE & REEL	#10	5.004[.197]	$\Delta 17$ $\Delta 16$	12-10*	3.810[.150]-5.842[.230]	12-10	--	A	$\Delta 5$	2-36161-2
500	LOOSE PIECE	#10	5.004[.197]	$\Delta 17$ $\Delta 16$	12-10*	3.810[.150]-5.842[.230]	12-10	--	A	$\Delta 5$ $\Delta 9$	36161

AMP INCORPORATED CUSTOMER SERVICE SYSTEMS			THIS DRAWING IS A CONTROLLED DOCUMENT.			DWN JR RUTH 17DEC09			TE TE Connectivity		
FOR ADDITIONAL PRODUCT INFORMATION OR COPIES OF DRAWINGS AND TECHNICAL DOCUMENTS			PRODUCT INFORMATION CENTER 1-800-522-6752			MAX RECOMMENDED OPERATING TEMPERATURE: 105°C[221°F] MAX			NAME T MICHELUTTI		
FOR APPLICATION			TOOLING ASSISTANCE CENTER 1-800-722-1111			VOLTAGE RATING: 300 VOLT MAX			PRODUCT SPEC UL 486 A-B $\Delta 16$		
TOOLING INFORMATION			1-800-722-1111			CIRCULAR MIL AREA: 2.62-6.64mm[5,180-13,100] STRANDED OR SOLID			APPLICATION SPEC 114-2157		
FOR ORDER ENTRY			1-800-526-5142			MATERIAL $\Delta 7$			FINISH SEE TABLE INSULATION: COLOR YELLOW		
						WEIGHT -			SIZE A2		
						CAGE CODE 00779			DRAWING NO C-36161		
						CUSTOMER DRAWING			RESTRICTED TO -		
						SCALE 5:1			SHEET 1 OF 1		
						REV AA5					