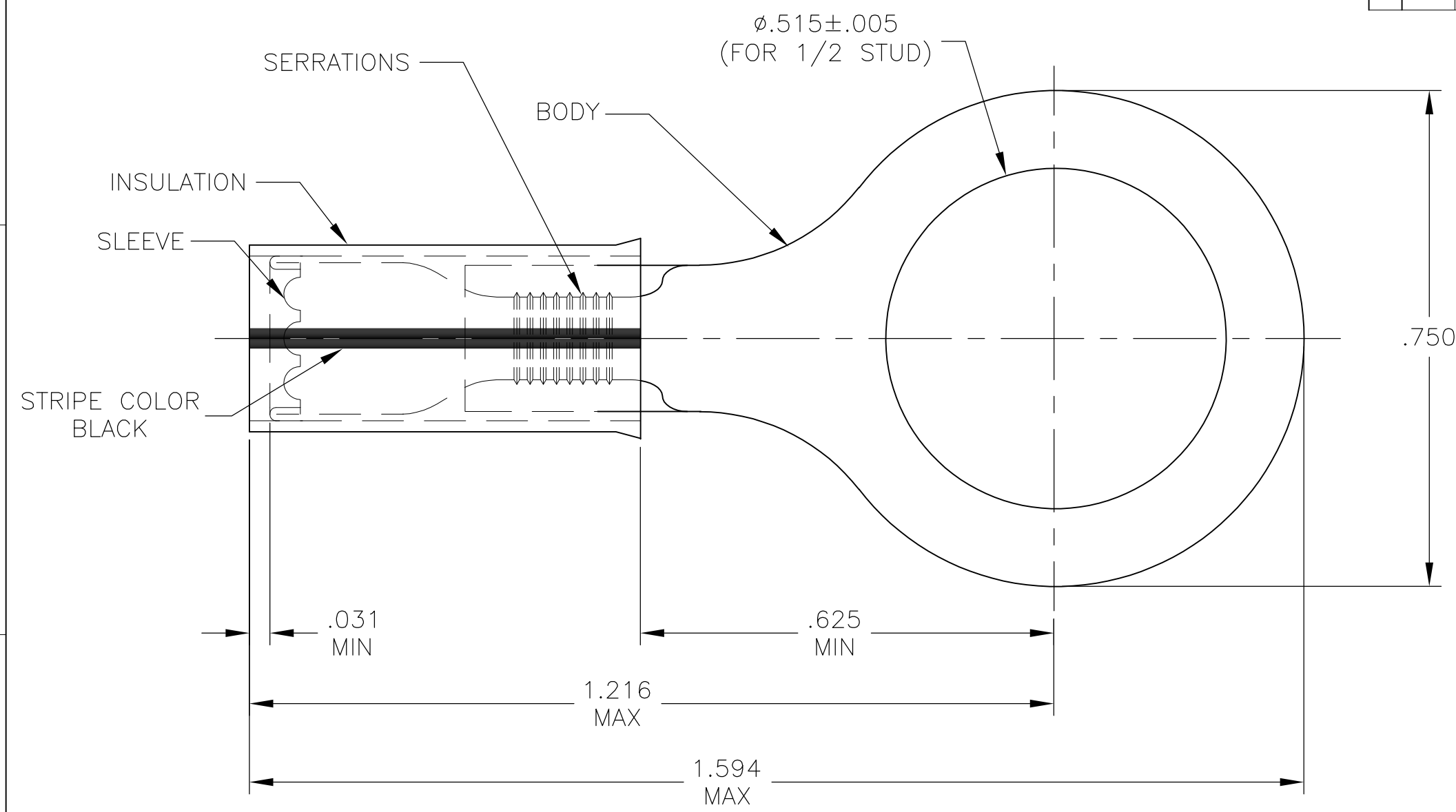


THIS DRAWING IS UNPUBLISHED. RELEASED FOR PUBLICATION
 © COPYRIGHT - By - ALL RIGHTS RESERVED.

LOC	DIST	REVISIONS					
G	02	P	LTR	DESCRIPTION	DATE	DWN	APVD
		G		REVISED PER ECO-14-015277	27FEB2015	NK	DR



- 1 STAMP AMP 16-14 HD* APPROX AS SHOWN.
- 2 FOR .150 TO .250 WIRE INSULATION DIA
- 3 TONGUE MATERIAL THK. = $.048 \pm .002$

1	BODY: COPPER (ASTM B152) TIN PL (ASTM B 545)	WIRE TERMINAL	35316
	SLEEVE: COPPER (ASTM B152)		
	INSULATION: YELLOW NYLON		
QTY	MATERIAL & FINISH	DESCRIPTION	PART NO

THIS DRAWING IS A CONTROLLED DOCUMENT.		DWN	NAGALAKSHMI	04-17-70	 TE Connectivity	NAME		WIRE TERMINAL P.I.D.G RING TONGUE				
DIMENSIONS: INCHES		CHK	<i>Reynolds</i>	04-21-70		PRODUCT SPEC		WIRE SIZE: 16-14 HD				
		APVD	<i>Livabeel</i>	04-22-70		APPLICATION SPEC		SIZE	CAGE CODE	DRAWING NO	RESTRICTED TO	
TOLERANCES UNLESS OTHERWISE SPECIFIED:					WEIGHT		A3		00779	C=35316		
MATERIAL		FINISH			CUSTOMER DRAWING		SCALE	5:1	SHEET	1 OF 1	REV	G
SEE TABLE		-										