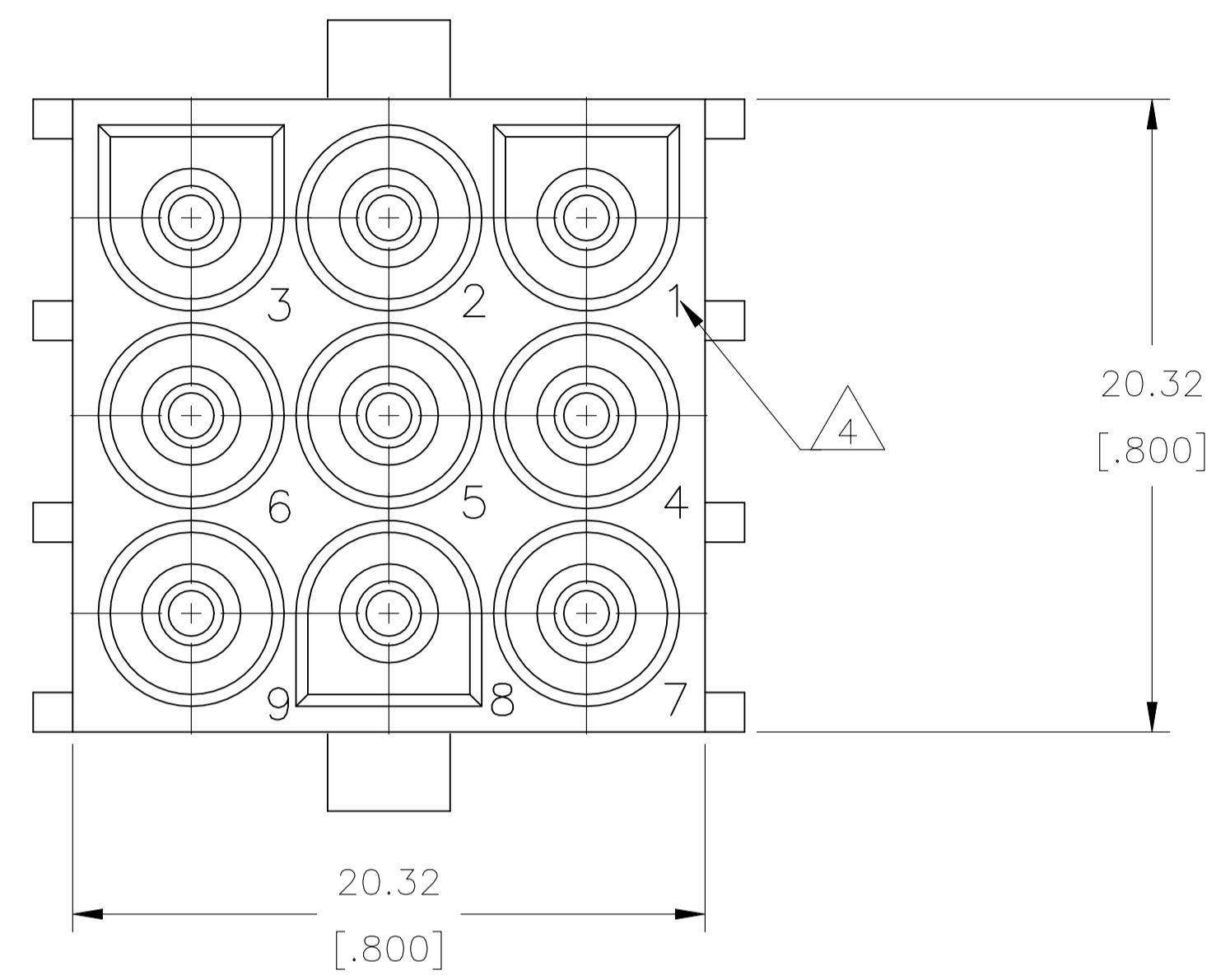
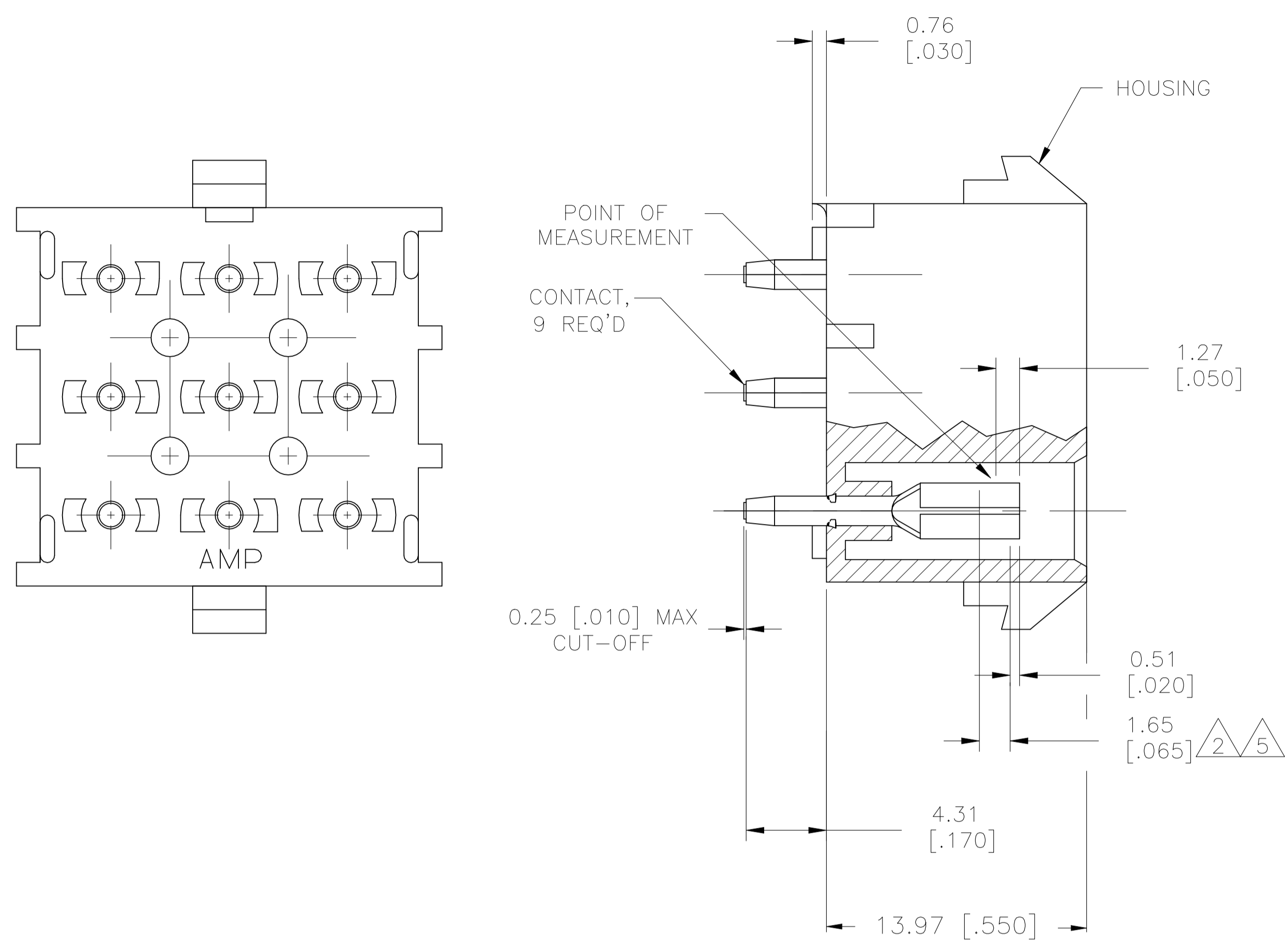
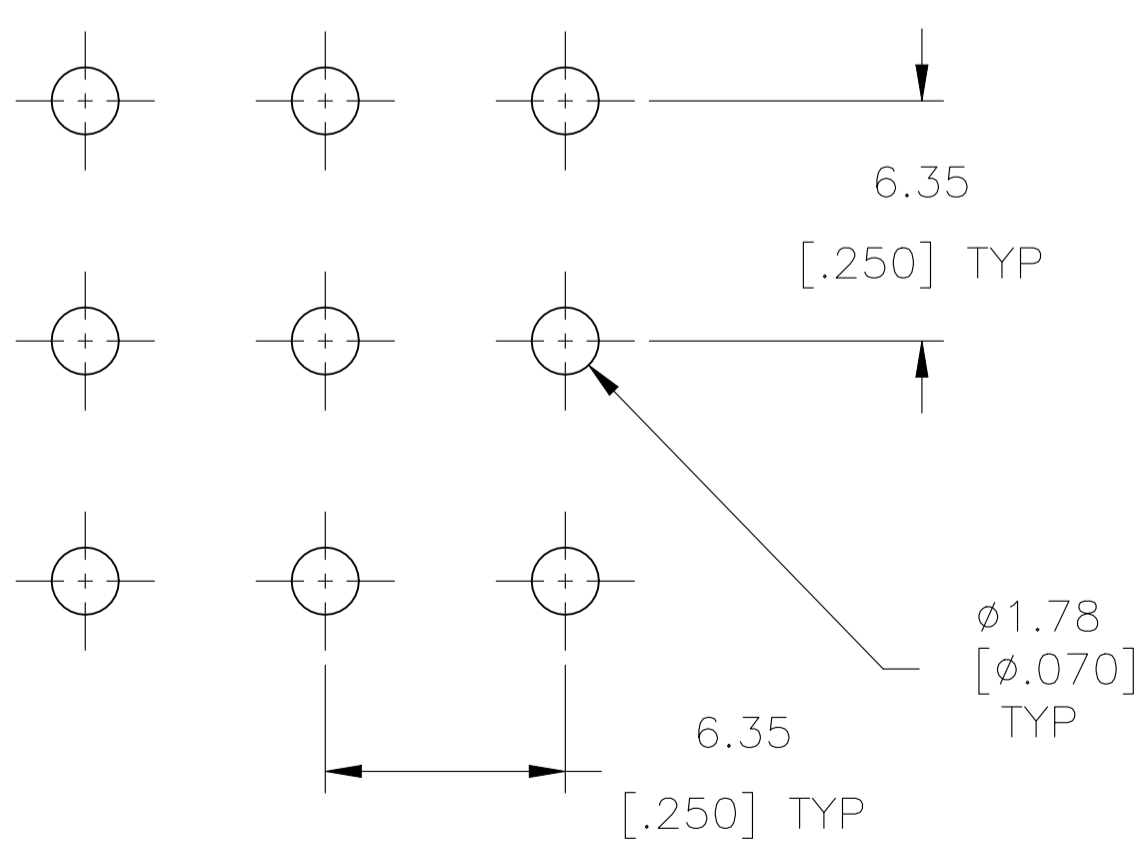


LOC		DIST		REVISIONS			
CM	00	REV	DESCRIPTION	DATE	BY	APPV	
		R3	REVISED PER ECR-14-011998	20AUG14	AV	KD	
		R4	REVISED PER ECR-21-118795	01AUG22	GR	VS	



- 1 PARTS MUST COMPLY WITH TE SOLDERABILITY SPEC 109-11-3.
- 2 CONTACT IS STAMPED FROM PRE-PLATED STOCK WHICH IS PLATED OVERALL WITH 0.00127 [.000050] NICKEL, THEN STRIPED WITH 0.00076 [.000030] GOLD IN CONTACT AREA INDICATED AND TIN-LEAD ON SOLDER TAIL END.
- 4 CIRCUIT IDENTIFICATION CHARACTERS ARE ADJACENT TO THE INDICATED CAVITIES, BUT LOCATION AND ORIENTATION MAY DIFFER FROM PRINT.
- 5 CONTACT IS PLATED OVERALL WITH 0.00127 [.000050] NICKEL, THEN 0.00076 [.000030] GOLD OVER CONTACT. LENGTH INDICATED AND MATTE TIN ON SOLDER TAIL END.
- 6 WILL ACCEPT 1.98 [.078] DIA PIN
- 7 SUPERSEDED BY 350828-4
- 8 DIMENSION SHOWN REPRESENT PRODUCT IN DRY CONDITION. ADDITIONAL 2% GROWTH DUE TO END USE LOCATION MOISTURE ABSORPTION MAY OCCUR AND SHOULD BE ACCOUNTED FOR.



RECOMMENDED LAYOUT FOR 1.58 [.062] THICK PC BOARD

CONTACT	HOUSING	PART NO
PH BRZ TIN $\triangle 6$	NYLON,UL 94V-0	350828-5
PH BRZ GOLD $\triangle 5$	NYLON,UL 94V-0	350828-4
PH BRZ GOLD $\triangle 2$	NYLON,UL 94V-0	350828-2
PH BRZ TIN	NYLON,UL 94V-0	350828-1

THIS DRAWING IS A CONTROLLED DOCUMENT.

DIMENSIONS: mm [INCHES]	TOLERANCES UNLESS OTHERWISE SPECIFIED: 0. PLC ± 1. PLC ± 2. PLC ± 3. PLC ± 0.13 [.005] 4. PLC ± ANGLES ±	FINISH SEE TABLE	APPROVED S. RIDGILL 11OCT2005	NAME S. RIDGILL 11OCT2005	DATE 11OCT2005	BY K. WHITAKER 11OCT2005	CHK S. RIDGILL 11OCT2005	REV S. RIDGILL 11OCT2005	PRODUCT SPEC	APPLICATION SPEC	SIZE A1	CAGE CODE 00779	DRAWING NO 350828	RESTRICTED TO
MATERIAL SEE TABLE	FINISH SEE TABLE	WEIGHT	CUSTOMER DRAWING		SCALE 5:1	SHEET 1 of 1	REV R4							

STE TE Connectivity

9 CIRCUIT UNIVERSAL MATE-N-LOK (TM)  
P.C. BOARD SOCKET HEADER ASSEMBLY