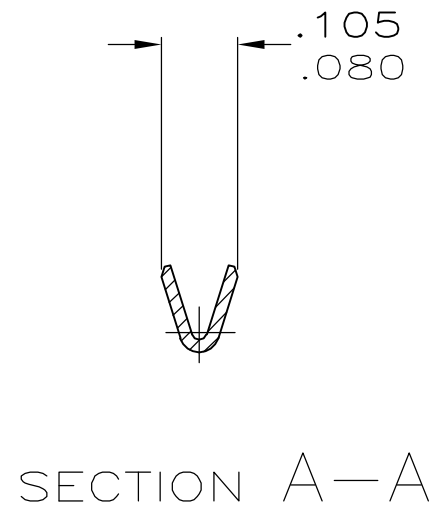
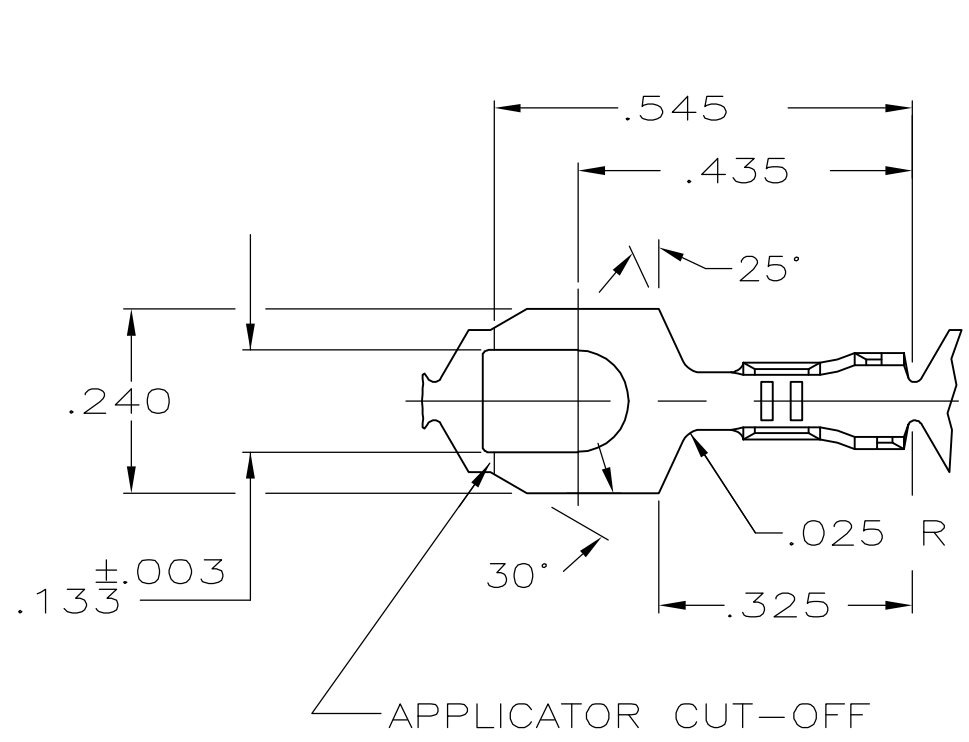
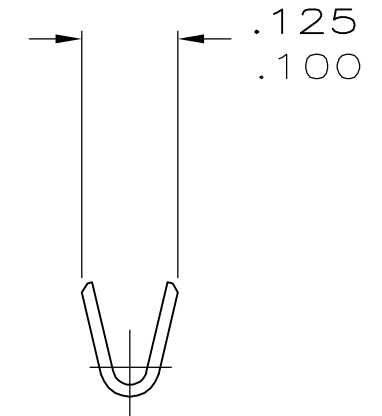
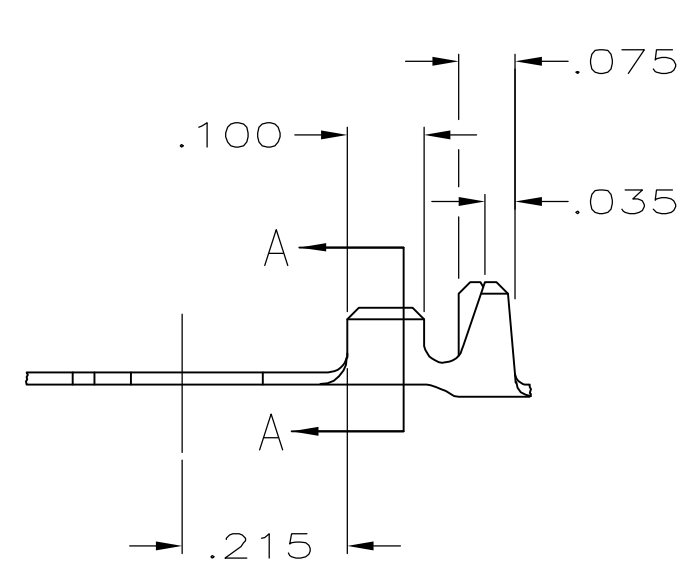


THIS DRAWING IS UNPUBLISHED. RELEASED FOR PUBLICATION
 © COPYRIGHT BY TYCO ELECTRONICS CORPORATION. ALL RIGHTS RESERVED.

LOC	DIST	REVISIONS					
AF	50	P	LTR	DESCRIPTION	DATE	DWN	APVD
			H	REVISED PER 0G1A-0454-98	08AUG05	MF	DD



- 1 CONTINUOUS STRIP ON REELS.
- 2 WIRE RANGE: #28-#22 AWG.
- 3 INSULATION RANGE: .035-.045 DIA.



NONE	350502-2
PRE-TIN	350502-1
FINISH	PART NUMBER

THIS DRAWING IS A CONTROLLED DOCUMENT.		DWN	M.S. FEHER	08AUG2005	Tyco Electronics Corporation Harrisburg, Pa 17105-3608		
DIMENSIONS: INCHES		CHK	D.F. DECKER	08AUG2005			
		APVD	D.F. DECKER	08AUG2005			
TOLERANCES UNLESS OTHERWISE SPECIFIED:		PRODUCT SPEC		NAME			
0 PLC ± - 1 PLC ± - 2 PLC ± - 3 PLC ± .015 4 PLC ± - ANGLES ± -		APPLICATION SPEC		SPADE			
MATERIAL		WEIGHT		SIZE	CAGE CODE	DRAWING NO	RESTRICTED TO
.016 BRASS		-		A3	00779	C-350502	-
FINISH		CUSTOMER DRAWING		SCALE	SHEET	OF	REV
SEE TABLE				-	1	1	H