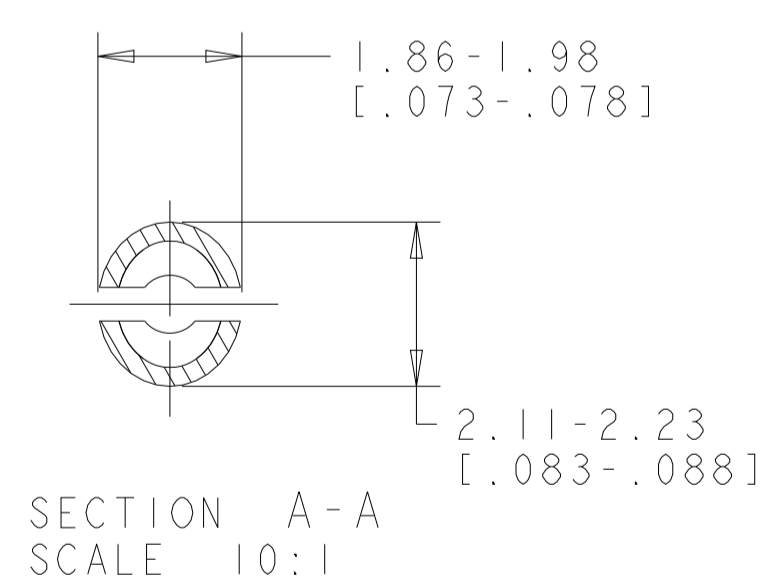
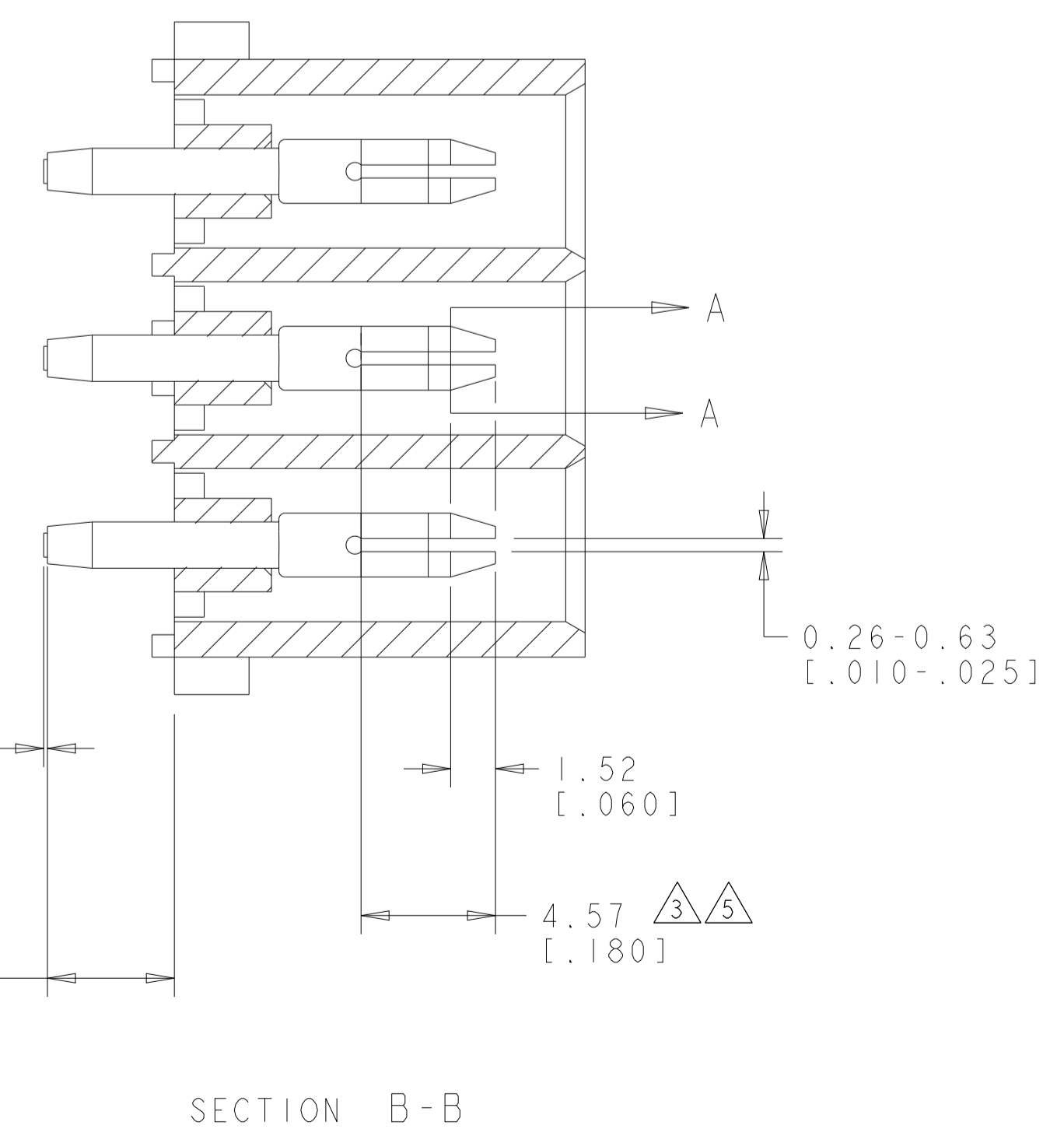
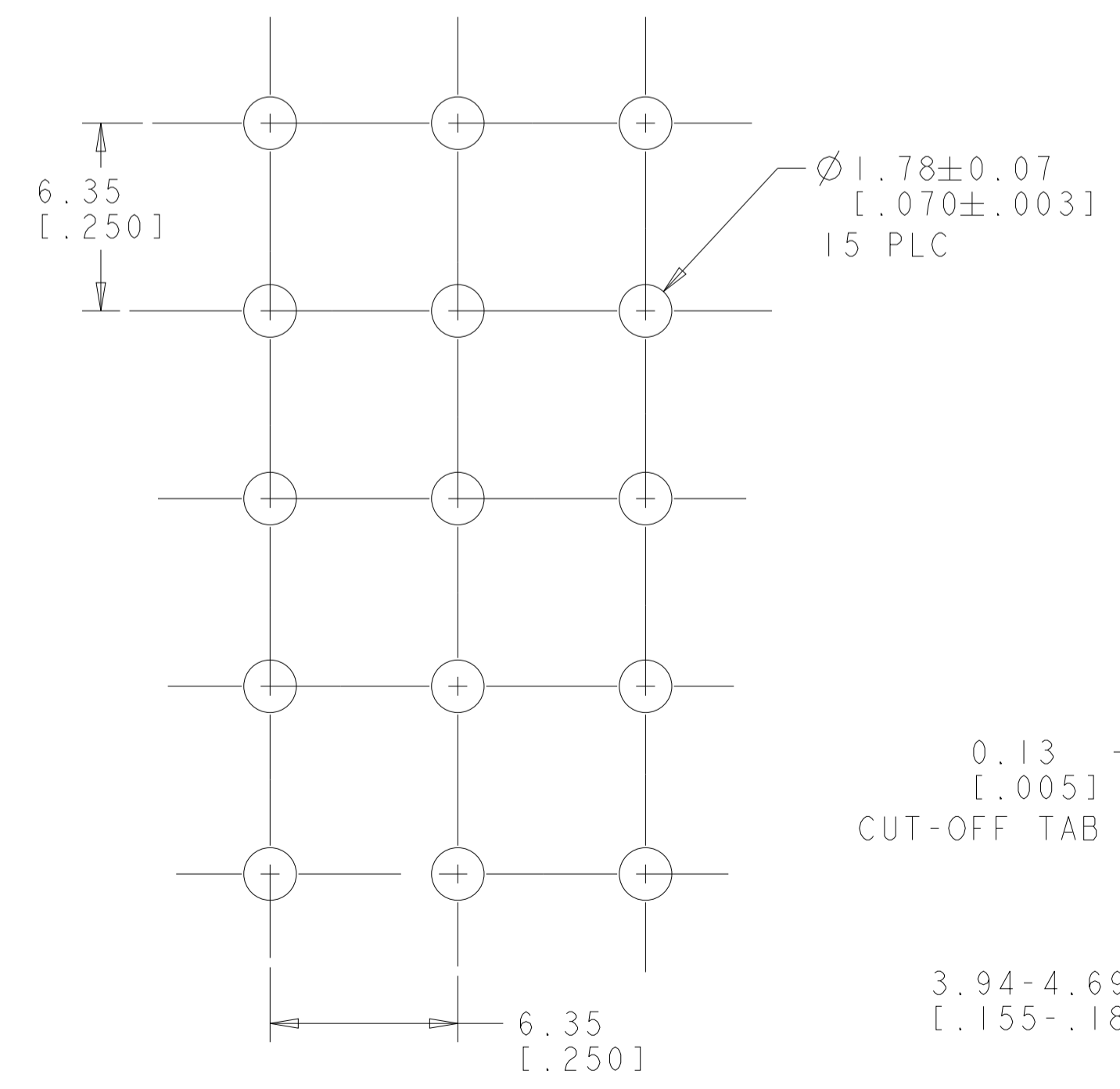
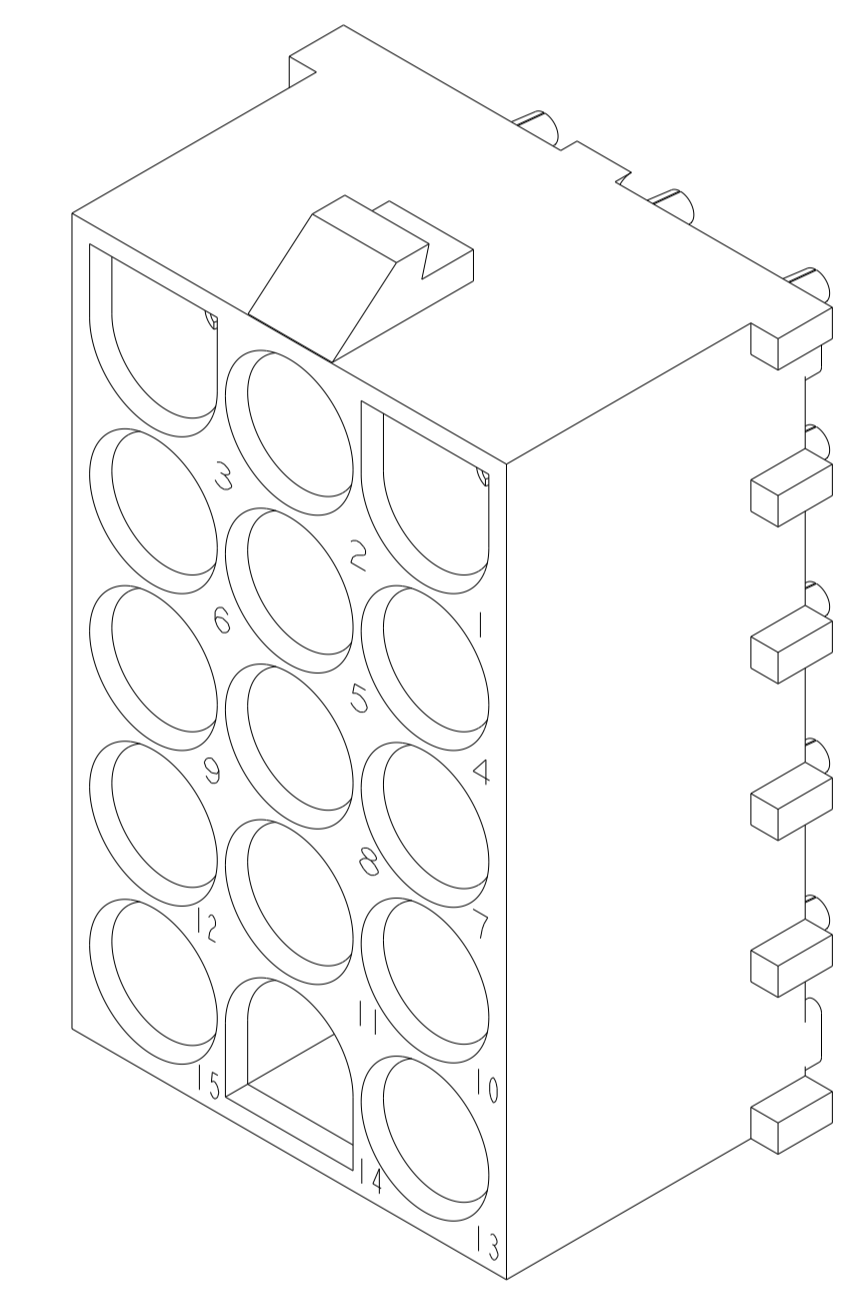
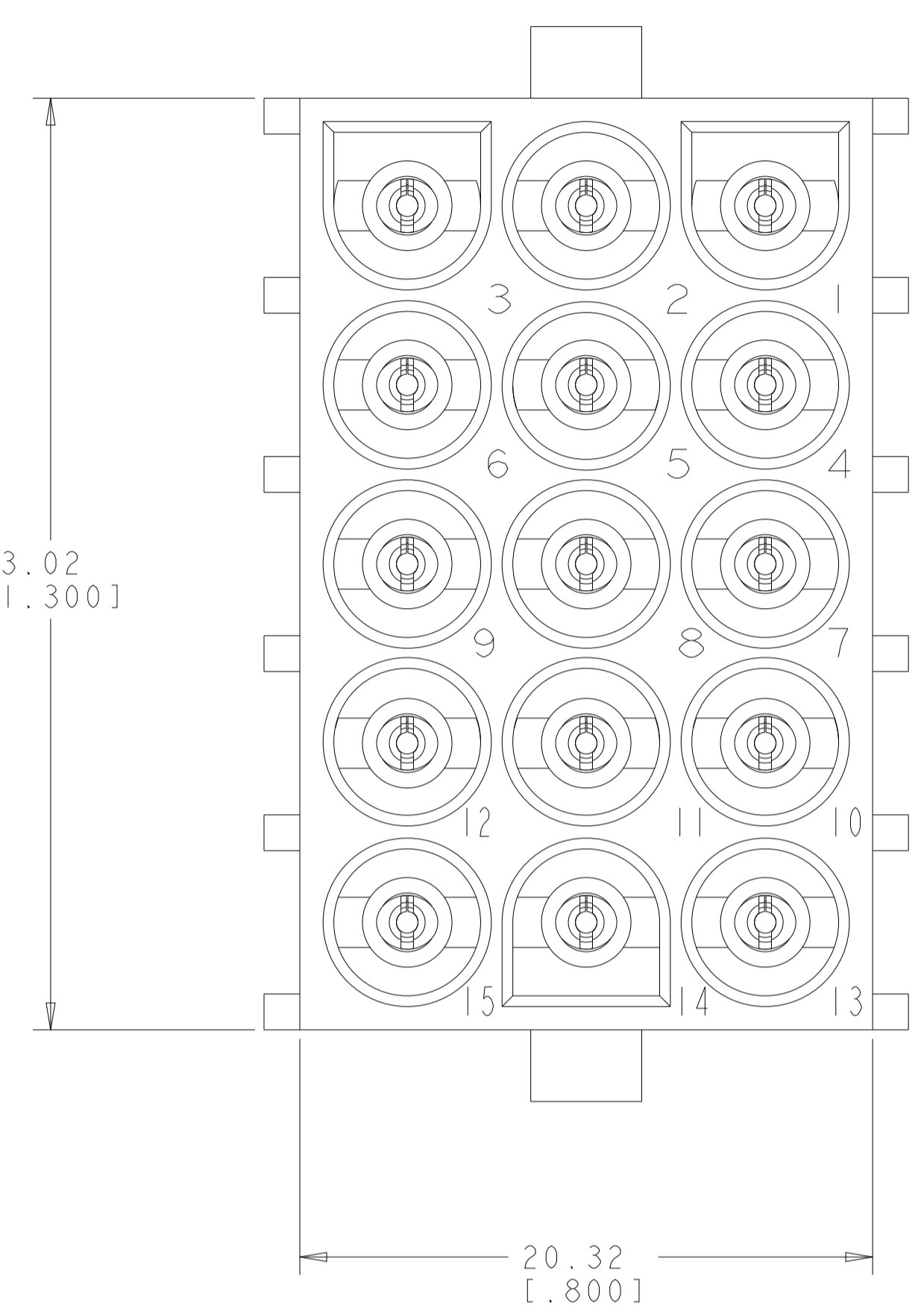
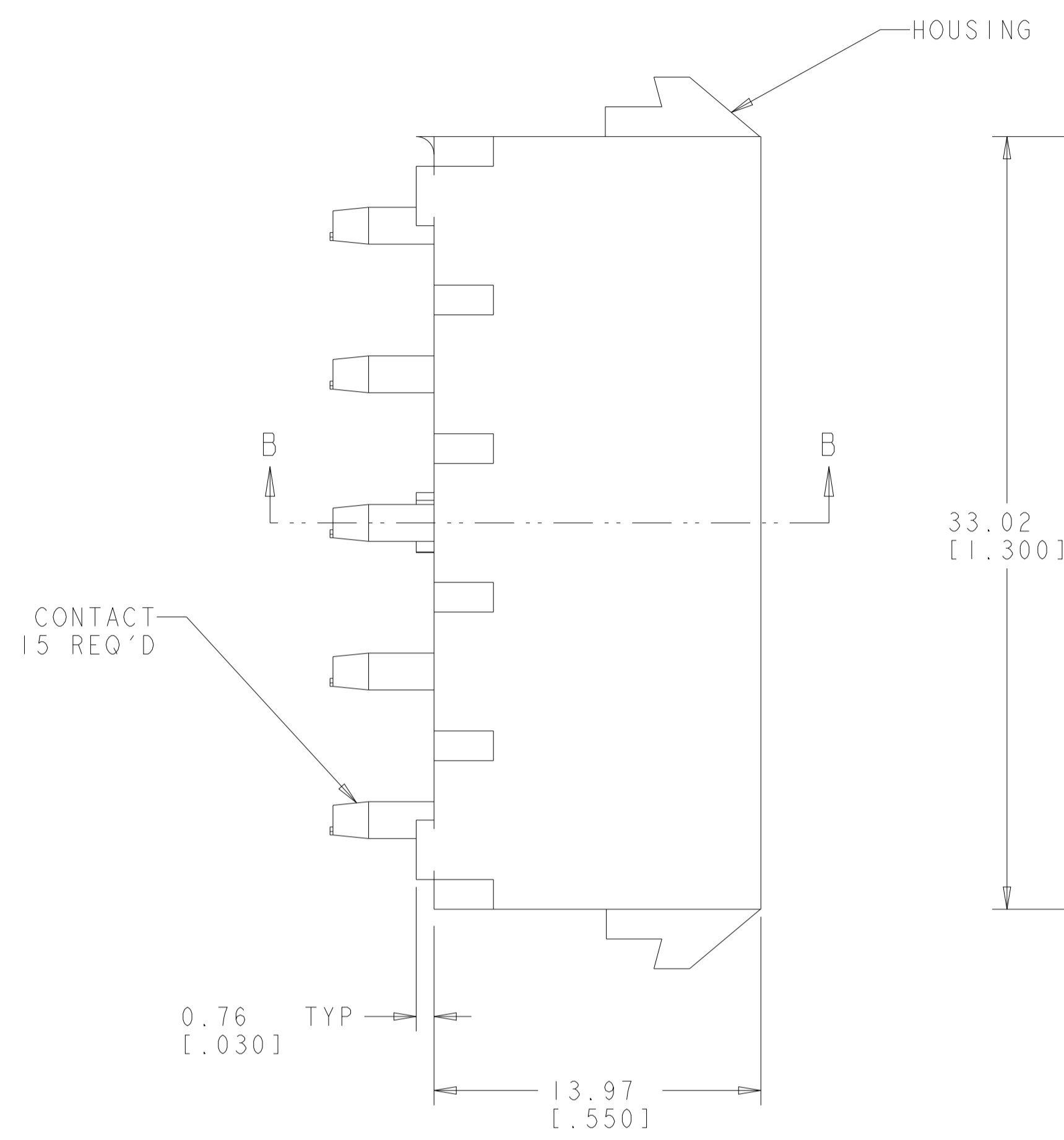
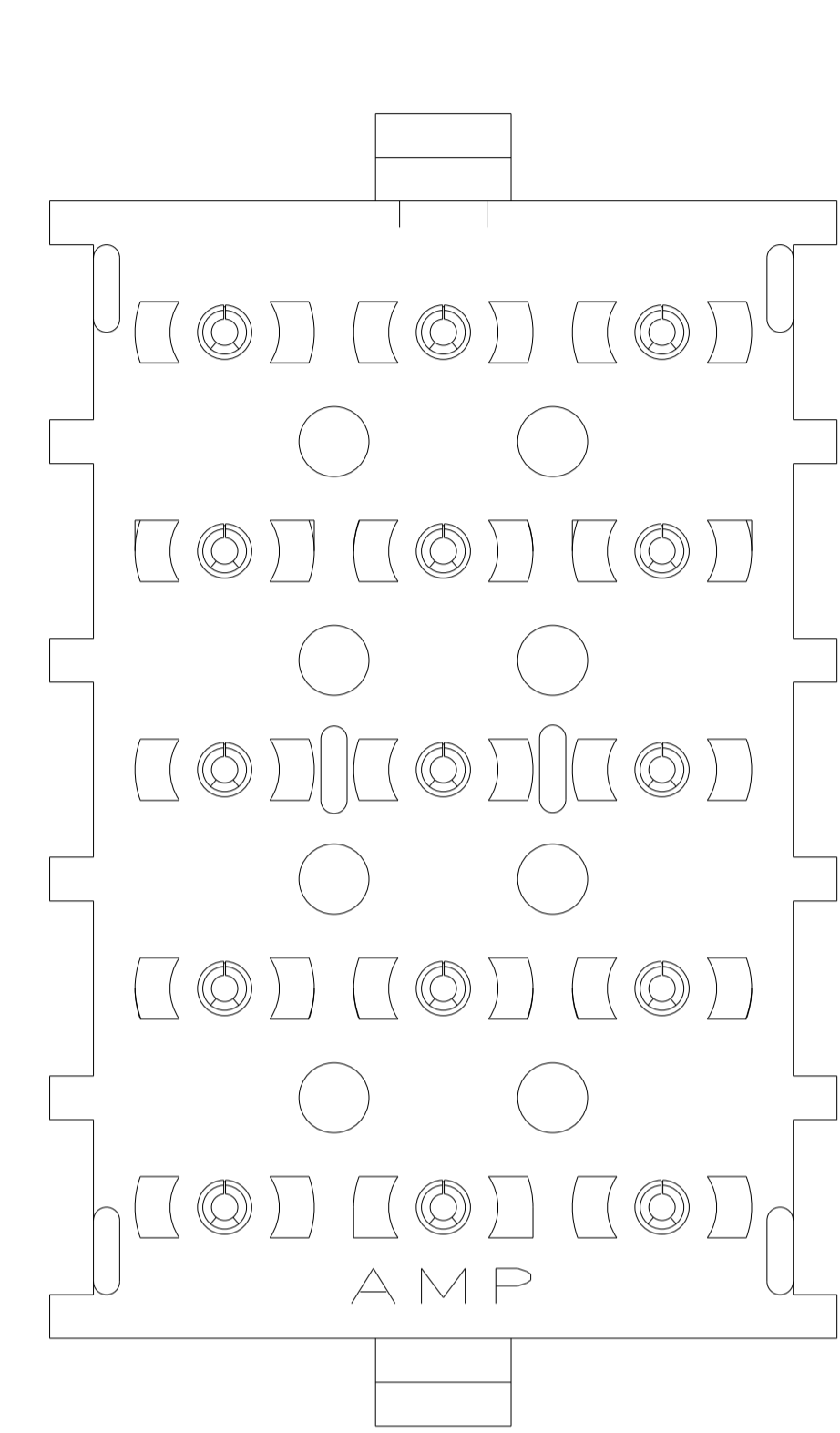


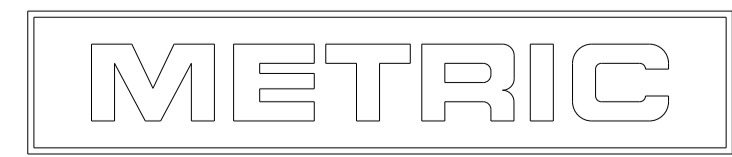
LOC	DIST	REVISIONS			
		REV	DESCRIPTION	DATE	BY
CM	00	Y2	REVISED PER ECR-12-011660	24JAN2013	KH
		Y3	REVISED PER ECR-13-019507	02JAN2014	AV
		Y4	REVISED PER ECR-21-119230	08NOV2021	SS

- MATES WITH HOUSING 480710.
- PARTS COMPLY TO TE SOLDERABILITY SPECIFICATION 109-11-3.
- CONTACT IS PLATED OVERALL WITH 0.00127 [.000050] NICKEL, THEN 0.00076 [.000030] GOLD OVER CONTACT LENGTH INDICATED AND TIN LEAD ON SOLDER TAIL END.
- CIRCUIT IDENTIFICATION CHARACTERS ARE ADJACENT TO THE INDICATED CAVITIES, BUT LOCATION AND ORIENTATION MAY DIFFER FROM PRINT.
- CONTACT IS PLATED OVERALL WITH 0.00127 [.000050] NICKEL, THEN 0.00076 [.000030] GOLD OVER CONTACT LENGTH INDICATED AND MATTE TIN ON SOLDER TAIL END.
- DIMENSIONS IN BRACKETS ARE IN INCHES.
- SUPERSEDED BY 350434-4
- DIMENSIONS SHOWN REPRESENT PRODUCT IN DRY CONDITION. ADDITIONAL 2% GROWTH DUE TO END USE LOCATION MOISTURE ABSORPTION MAY OCCUR AND SHOULD BE ACCOUNTED FOR.



PIN CONTACT MATERIAL AND FINISH	HOUSING MATERIAL AND COLOR	PART NUMBER
PHOSPOR BRONZE, GOLD	NYLON, UL94V-2, NATURAL	350434-4
PHOSPOR BRONZE, GOLD	NYLON, UL94V-2, NATURAL	350434-2
PHOSPOR BRONZE, PRE-TIN	NYLON, UL94V-2, NATURAL	350434-1

RECOMMENDED MOUNTING HOLE PATTERN FOR 1.57 [0.062] THICK P.C. BOARD HOLE THAT CORRESPONDS TO REMOVED CONTACT CAN BE OMITTED



THIS DRAWING IS A CONTROLLED DOCUMENT.

DIMENSIONS: mm [INCHES]	TOLERANCES UNLESS OTHERWISE SPECIFIED:	0 PLC ±	1 PLC ±0.131 (.005)	2 PLC ±	3 PLC ±	4 PLC ±	5 PLC ±
MATERIAL: SEE TABLE	FINISH: SEE TABLE	ANGLES: 40°/30°	APPROVED: S. RIDGILL	DATE: 04MAY2005	NAME: S. RIDGILL	PRODUCT SPEC:	APPLICATION SPEC:

STE TE Connectivity

PIN HEADER ASSEMBLY, 15 CIRCUIT, UNIVERSAL MATE-N-LOK(TM)

SIZE: A1 CAGE CODE: 00779 DRAWING NO: 350434

CUSTOMER DRAWING SCALE: 1:1 SHEET 1 OF 1 REV: Y4