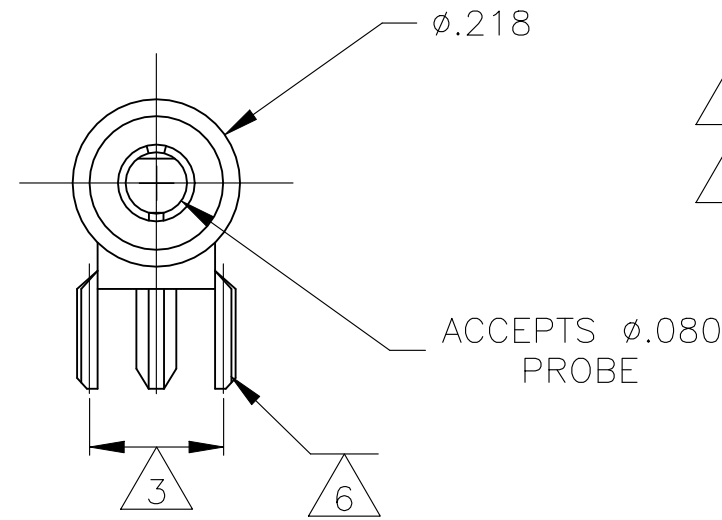
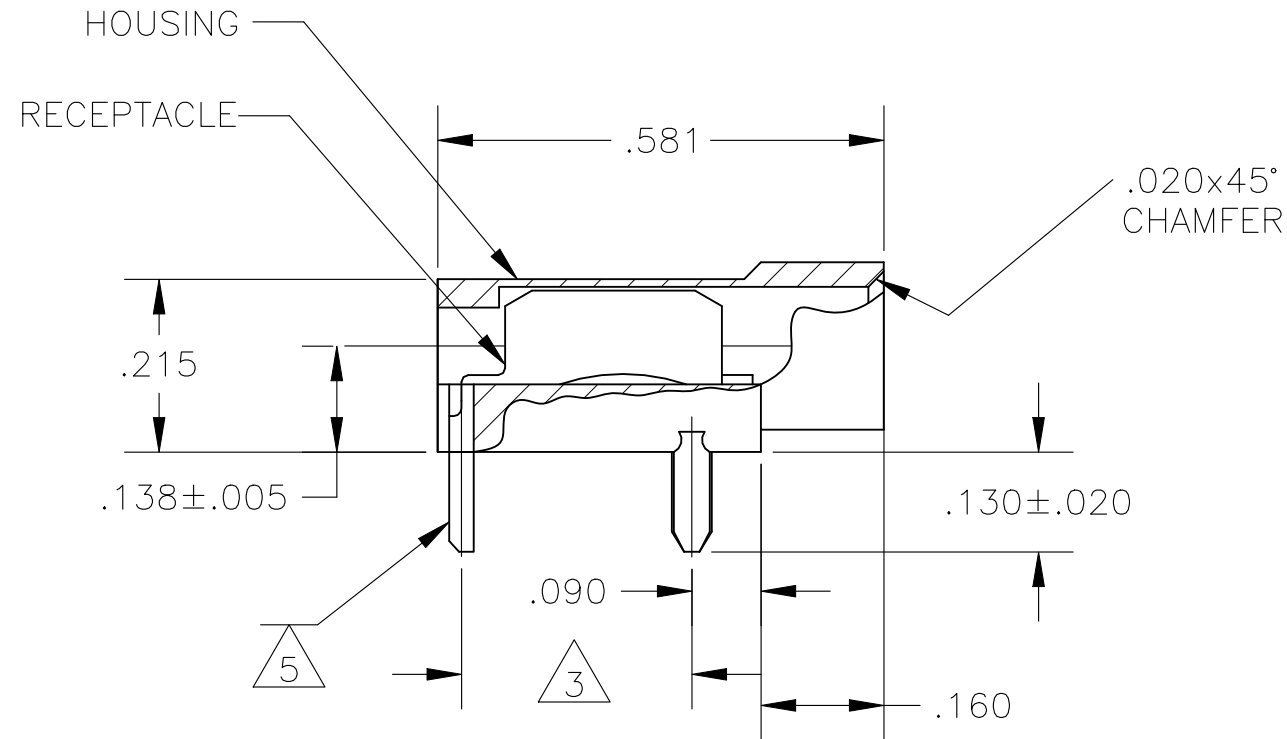
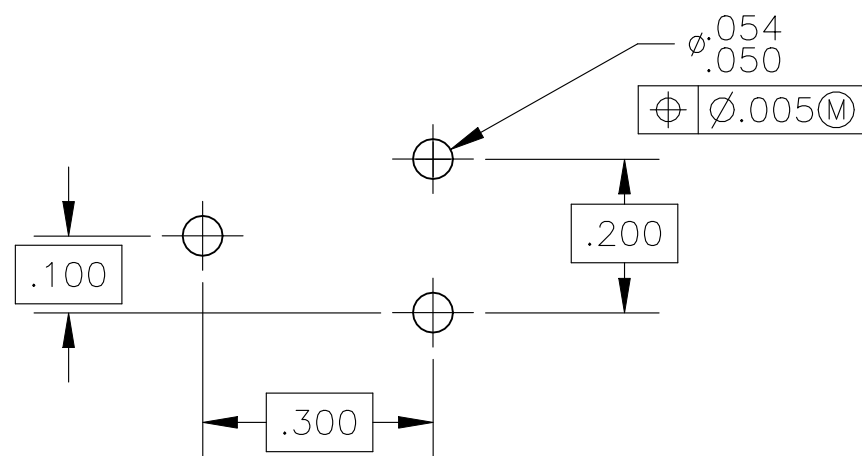


P	LTR	DESCRIPTION	DATE	DWN	APVD
	L3	REVISED PER ECR-23-184302	23AUG2023	SS	RE



- 1 OPERATING TEMPERATURE, 105°C MAX
- 2 RETENTION FORCE-16 OZ MIN INITIALLY, 6 OZ MIN AFTER 500 CYCLES.
- 3 REFER TO MOUNTING HOLE PATTERN.
- 5 SINGLE LEG IS LIVE CIRCUIT
- 6 DOUBLE LEGS FOR MECHANICAL MOUNTING ONLY.

	GOLD	WHITE	350180-9
OBSOLETE	GOLD	GRAY	350180-8
	GOLD	VIOLET	350180-7
	GOLD	BLUE	350180-6
	GOLD	GREEN	350180-5
	GOLD	YELLOW	350180-4
	GOLD	ORANGE	350180-3
	GOLD	RED	350180-2
OBSOLETE	GOLD	BROWN	350180-1
	GOLD	BLACK	350180
	RECEPTACLE & LEGS FINISH	HOUSING COLOR	ASSY NO.



RECOMMENDED MOUNTING HOLE PATTERN

THIS DRAWING IS A CONTROLLED DOCUMENT.		DWN RAGHAVENDRA 11JUL2008	TE Connectivity				
DIMENSIONS: INCHES		CHK JEFF RUTH 11JUL2008					
TOLERANCES UNLESS OTHERWISE SPECIFIED:		APVD ED HOWARD 11JUL2008	NAME				
0 PLC ± - 1 PLC ± - 2 PLC ± .015 3 PLC ± - 4 PLC ± - ANGLES ± 1° 0'		PRODUCT SPEC -	TEST PROBE ASSY				
MATERIAL HOUSING, NYLON TYPE 6/6 RECEPTACLE & LEGS, ASTM-B36 ALLOY6		FINISH	APPLICATION SPEC -	SIZE	CAGE CODE	DRAWING NO	RESTRICTED TO
			WEIGHT 0.000000	A3	00779	C-350180	-
CUSTOMER DRAWING			SCALE 4:1	SHEET 1 OF 1	REV L3		