

**TÄ-Nr.** Battery Disconnecter 500A with Aux. **Bl.1 v.1**

Deutsch Connector:  
Connector Plug Deutsch P/N DT06-4S-E008  
Terminal Socket Deutsch P/N 04622016141  
Lock Second Deutsch W 4S

**Technical Data:**

Case Material:Cover	Vyncolit black
Base Plate	PA GF black
Switch Lever Material	PA GF red
Min. Insulation Resistance	100MΩ
Dielectric Withstanding Voltage	1050V-1min.
Max. Contact Drop During Resistive Load	150mV
Voltage	up to 32VDC
Duty Rating	500A
Overload	1500A-4min. 2000A-1.5min. 2500A-10sec.
Auxiliary Contacts:	
Continuous Current	10A
Make and Brake	24V L/R 5ms 10A 24V L/R 20ms 6A
Sealing	IP 67/ IEC 529
Vibration	4G/ 50-2000Hz
Shock	6G/ 11ms
Weight	350g
Temperature Range	-40°C bis +85°C
Wire Section (at nominal Load Main Terminals)	min. 250mm <sup>2</sup>
Switch Lever	not removeable
Max. Torque (Main Terminals)	18-22Nm

**Technical Data:**

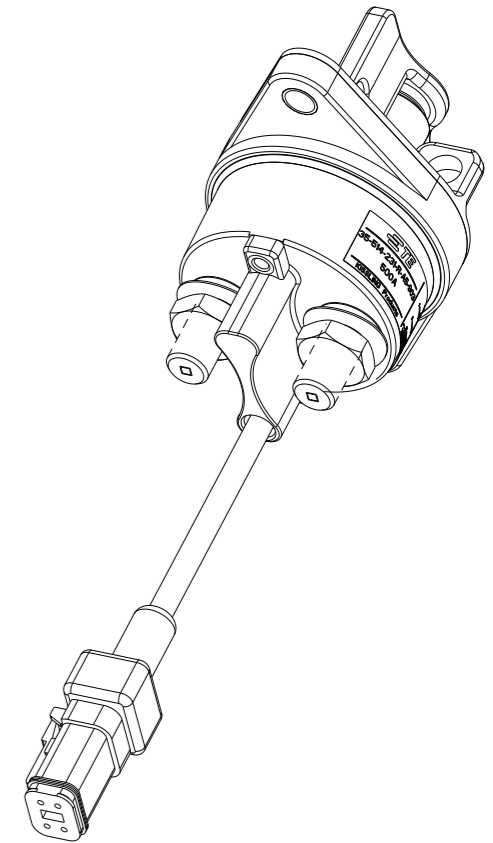
Datum	Name	Freimaßtoleranz	Maßstab	Zeichnungs-Nr.
Bearb. 15.10.2014	Mielke		1:2	35-514-231-R-A5-903
Gepr. 22.04.2016	Grind			Vers.Nr.:

REVISIONS					
P	LTR	DESCRIPTION	DATE	DWN	APVD
	A	TE STANDARD UPDATED	29JUL2024	KS	RB

NOTE:  
Bemerkungen:

1 TE-CONNECTIVITY ORDER-NUMBER  
TE-Connectivity Bestellnummer

2 DO NOT SWITCH UNDER LOAD!  
Nicht unter Last schalten!



K1152668		A	BATTERY DISCONNECTOR 500A WITH AUX Batterietrennschalter 500A mit Hiko	1
TE ORDER-NO.	REV.		DESCRIPTION	ITEM NO

THIS DRAWING IS A CONTROLLED DOCUMENT.		DWN	15OCT2014
		CHK	22APR2016
		APVD	22APR2016
		PRODUCT SPEC	
		APPLICATION SPEC	
		WEIGHT	
CUSTOMER DRAWING		SCALE	

DIMENSIONS:	TOLERANCES UNLESS OTHERWISE SPECIFIED:
mm	DIN ISO 2768-CL
	0 PLC ±
	1 PLC ±
	2 PLC ±
	3 PLC ±
	4 PLC ±
	ANGLES ±
MATERIAL	FINISH

<b>TE</b> TE Connectivity			
NAME BATTERY DISCONNECTOR 500A WITH AUX Batterietrennschalter 500A mit Hiko			
SIZE	CAGE CODE	DRAWING NO	RESTRICTED TO
A3	00779	35-514-231-R-A5-903	-
SHEET 1 OF 1		REV	A