

P	LTR	DESCRIPTION	DATE	DWN	APVD
	A	ECN-24-270048	14 JUN2024	KS	RB

EC No.

Battery Disconnecter 500A

Page 1 of 1

Technical Data:

Case Material	PA GF black
Switch Lever Material	PA GF red
Min. Insulation Resistance	100MΩ
Dielectric Withstanding Voltage	1050V-1min.
Max. Contact Drop during Resistive Load	150mV
Voltage	to 32VDC
Duty Rating	500A
Overload	1500A-4 min. 2000A-1,5 min. 2500A-10 sec.
Sealing	IP 67/ IEC 529
Vibration	10G/ 18-500Hz
Weight	340g/ 0.75 Pound
Temperature Range	-40°C to +85°C
Wire Section (At Nominal Load)	min. 250mm ²
Switch lever	not removeable
Max. Torque (Main Contacts)	15-20Nm

Date	Name	mm	Scale
Drawn 07.08.2018	Mielk	General Tolerances	1:2
Check 07.08.2018	Grind		

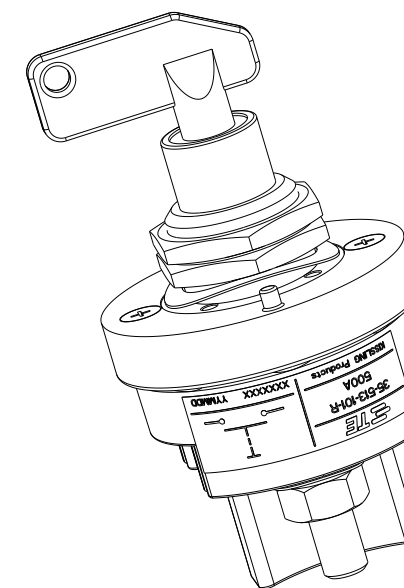
Drawing No: 35-513-101-R

NSN:

NOTE
Bemerkungen:

1 TE-CONNECTIVITY ORDER-NUMBER
TE-connectivity Bestellnummer

2 DO NOT SWITCH UNDER LOAD!
Nicht unter Last schalten!



1	K1152634	A	BATTERY DISCONNECTOR 500A Batterietrennschalter 500A	1
TE ORDER-NO.	REV.		DESCRIPTION	ITEM NO



THIS DRAWING IS A CONTROLLED DOCUMENT.		DWN N.Mielke 07AUG2018	BATTERY DISCONNECTOR 500A Batterietrennschalter 500A		
DIMENSIONS: mm 		CHK N.Mielke 07AUG2018			
		APVD U.Grindemann 07AUG2018			
TOLERANCES UNLESS OTHERWISE SPECIFIED: DIN ISO 2768 cL 0 PLC ± 1 PLC ± 2 PLC ± 3 PLC ± 4 PLC ± ANGLES ± MATERIAL FINISH		PRODUCT SPEC	NAME BATTERY DISCONNECTOR 500A Batterietrennschalter 500A		
		APPLICATION SPEC			
		WEIGHT		SIZE A3	CAGE CODE 00779
CUSTOMER DRAWING				SCALE	SHEET 1 OF 1