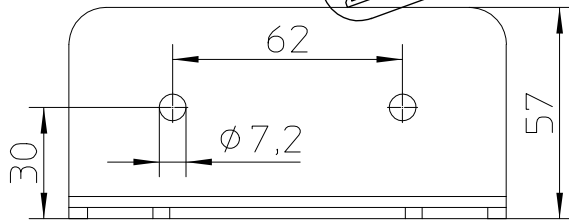
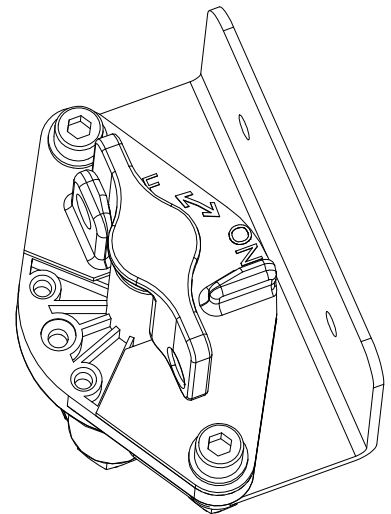
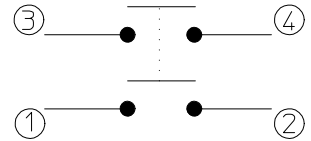


Zur Kalkulation

Mounting Dimensions



Circuit



Technical Data:

Case Material	PA GF black
Switch Lever Material	PA GF red
Min. Insulation Resistance	100MΩ
Dielectric Withstanding Voltage	1050V-1min.
Max. Contact Drop during Resistive Load	150mV
Voltage	up to 32VDC
Duty Rating	2x 200A
Overload	2x 500A-180sec. 2x 1000A-30sec.
Sealing	IP 67/ IEC 529
Vibration	4G/ 50-2000Hz
Shock G-Lever	6G/ 11ms
Weight	~505g / 1.11 pound
Temperature Range	-40°C to +85°C
Wire Section (At Nominal Load)	min. 70mm ²
Mounting Position	optional
Switch Lever	not removeable
Torque (Main Terminals)	15-20Nm

For this drawing we reserve the copyright in accordance with DIN ISO 16016

	Date	Name
Create	30.07.2019	Seege
Edited	30.07.2019	Grind
Check	30.07.2019	Grind

mm ↔	Scale 1:2
General Tolerances DIN ISO 2768 cL	



Drawing No:	35-224-131-R-901
NSN:	