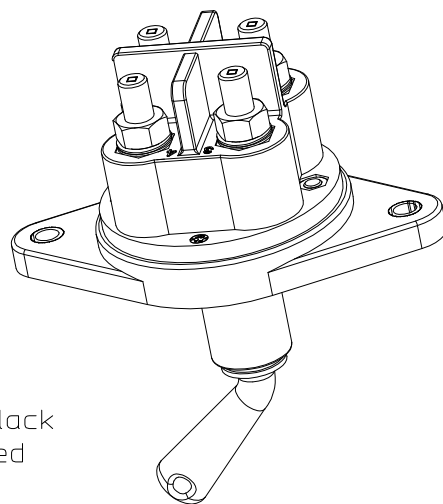
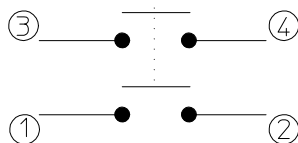


Circuit



Technical Data:

Case Material	PA GF black
Switch Lever Material	PA GF red
Min. Insulation Resistance	100MΩ
Dielectric Withstanding Voltage	1050V-1min.
Max. Contact Drop during Resistive Load	150mV
Voltage	to 32VDC
Duty Rating	2x200A
Overload	2x500A-180sec.
	2x1000A-30sec.
Sealing	IP 67/ IEC 529
Vibration	4G / 50-2000Hz
Shock G-Level	6G / 11ms
Weight	~310g / 0.68 Pound
Temperature Range	-40°C to +85°C
Wire Section (at nominal Load)	min. 70mm ²
Switch Lever	not removeable
Max. Torque (Main Contacts)	12-13Nm

Für diese Zeichnung behalten wir uns das Urheberrecht gemäß DIN ISO 16016 vor

	Datum	Name	Freimaßtoleranz	Maßstab
Bearb.	26.06.2018	Seege	DIN ISO 2768 cL	1:2
Gepr.	06.08.2018	Grind		

Zeichnungs-Nr.:

35-221-021-R

Vers.Nr.: