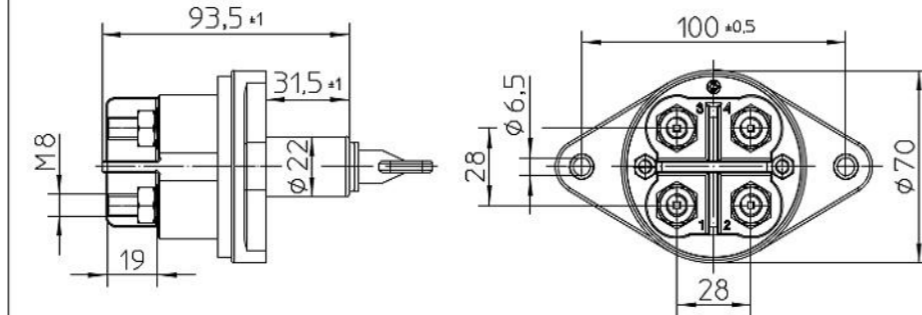


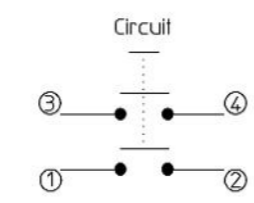
REVISIONS

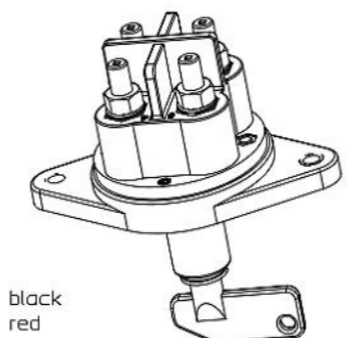
P	LTR	DESCRIPTION	DATE	DWN	APVD
	A	TE STANDARD UPDATED	04JUL2024	KS	RB

TÄ-Nr.	Battery Disconnecter 2x200A	Bl. 1 v. 1
--------	-----------------------------	------------



Circuit





Technical Data:

Case Material	PA GF black
Switch Lever Material	PA GF red
Min. Insulation Resistance	100MΩ
Dielectric Withstanding Voltage	1050V-1min.
Max. Contact Drop during Resistive Load	150mV
Voltage	to 32VDC
Duty Rating	2x200A
Overload	2x500A-180sec. 2x1000A-30sec.
Sealing	IP 67/ IEC 529
Vibration	4G / 50-2000Hz
Shock G-Level	6G / 11ms
Weight	~310g / 0.68 Pound
Temperature Range	-40°C to +85°C
Wire Section (at nominal Load)	min. 70mm ²
Switch Lever	removeable
Max. Torque (Main Contacts)	12-13Nm

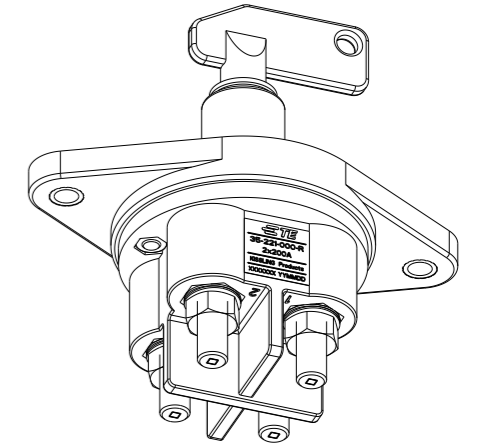
Datum	Name	Allgemeintoleranz	Maßstab	Zeichnungs-Nr.
Erstel. 10.01.2007	Mielk		1:2	35-221-000-R
Bearb. 11.06.2019	Seege			
Freig. 24.06.2019	Grind			

Für diese Zeichnung behalten wir uns das Urheberrecht gemäß DIN ISO 8016 vor

NOTE:
Bemerkungen:

1 TE-CONNECTIVITY ORDER-NUMBER
TE-Connectivity Bestellnummer

2 DO NOT SWITCH UNDER LOAD!
Nicht unter Last schalten!



K1148192	1	A	BATTERY DISCONNECTOR 2X200A Batterietrennschalter 2x200A	1
TE ORDER-NO.	REV.		DESCRIPTION	ITEM NO

THIS DRAWING IS A CONTROLLED DOCUMENT.		DWN N.Mielke 10JAN2007												
DIMENSIONS: mm		CHK K.Seeger 11JUN2019												
TOLERANCES UNLESS OTHERWISE SPECIFIED: DIN ISO 2768-cl		APVD U.Grindemann 24JUN2019												
<table style="width: 100%; border-collapse: collapse;"> <tr> <td>0 PLC</td> <td>±</td> </tr> <tr> <td>1 PLC</td> <td>±</td> </tr> <tr> <td>2 PLC</td> <td>±</td> </tr> <tr> <td>3 PLC</td> <td>±</td> </tr> <tr> <td>4 PLC</td> <td>±</td> </tr> <tr> <td>ANGLES</td> <td>±</td> </tr> </table>		0 PLC	±	1 PLC	±	2 PLC	±	3 PLC	±	4 PLC	±	ANGLES	±	PRODUCT SPEC
0 PLC	±													
1 PLC	±													
2 PLC	±													
3 PLC	±													
4 PLC	±													
ANGLES	±													
MATERIAL		APPLICATION SPEC												
		WEIGHT												
CUSTOMER DRAWING														

TE Connectivity	
NAME BATTERY DISCONNECTOR 2x200A Batterietrennschalter 2x200A	
SIZE A3	CAGE CODE 00779
DRAWING NO 35-221-000-R	RESTRICTED TO -
SCALE	SHEET 1 OF 1
REV A	