

For this drawing we reserve the copyright in accordance with DIN ISO 16016

Technical Data:

Case Material	PA GF black
Switch Lever Material	PA GF black
Min. Insulation Resistance	100MΩ
Dielectric Withstanding Voltage	1050V-1min.
Max. Contact Drop during Resistive Load	150mV
Voltage	to 32VDC
Duty Rating	2x200A
Overload	2x500A-180sec. 2x1000A-30sec.
Sealing	IP 67/ IEC 529
Vibration	4G / 50-2000Hz
Shock G-Level	6G / 11ms
Weight	~310g / 0.68 Pound
Temperature Range	-40°C to +85°C
Wire Section (at nominal Load)	min. 70mm ²
Switch Lever	removeable
Max. Torque (Main Contacts)	12-13Nm

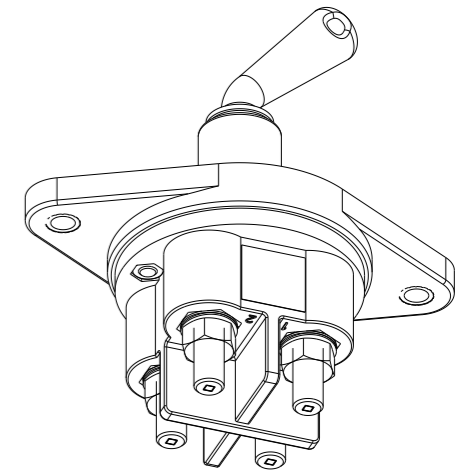
Date	Name	mm	Scale		Drawing No: 35-220
Create 03.12.2019	Seege	General Tolerances DIN ISO 2768 cL	1:2		
Edted 03.12.2019	Seege				
Check 09.03.2020	Grind				
NSN:					

REVISIONS

P	LTR	DESCRIPTION	DATE	DWN	APVD
	A	TE STANDARD	29APR2024	KS	RB

NOTE
Bemerkungen:

- 1 TE-CONNECTIVITY ORDER-NUMBER
TE-connectivity Bestellnummer
- 2 DO NOT SWITCH UNDER LOAD!
Nicht unter Last schalten!



ISO 1:2

K1060608	1	A	BATTERY DISCONNECTOR 200A Batterietrennschalter 200A	1
TE ORDER-NO.	REV.		DESCRIPTION	ITEM NO

THIS DRAWING IS A CONTROLLED DOCUMENT.

DIMENSIONS:	TOLERANCES UNLESS OTHERWISE SPECIFIED:
mm	DIN ISO 2768 cL
	0 PLC ±
	1 PLC ±
	2 PLC ±
	3 PLC ±
	4 PLC ±
	ANGLES ±
MATERIAL	FINISH

DWN	K.Seeger	03DEC2019
CHK	K.Seeger	03DEC2019
APVD	U.Grindemann	09MAR2020
PRODUCT SPEC		
APPLICATION SPEC		
WEIGHT		
CUSTOMER DRAWING		



NAME BATTERY DISCONNECTOR 200A Batterietrennschalter 200A			
SIZE	CAGE CODE	DRAWING NO	RESTRICTED TO
A3	00779	35-220	-
SCALE	SHEET	OF	REV
1:2	1	1	A