

EC No. Page 1 of 1

Battery Disconnecter 200A

~88(OFF) ~41(OFF) 20 $\phi 54$ 38 ± 0.5

$\phi 22$ 70 30 $\phi 7$

M10 19 31.5 ±1

Circuit

1:2

For this drawing we reserve the copyright in accordance with DIN ISO 16016

Technical Data:

Case Material	PA GF black
Switch Lever Material	PA GF red
Min. Insulation Resistance	100M Ω
Dielectric Withstanding Voltage	1050V-1min.
Max. Contact Drop during Resistive Load	150mV
Voltage	to 32VDC
Duty Rating	200A
Overload	500A-180sec. 1000A-30sec.
Sealing	IP 67/ IEC 529
Vibration	4G / 50-2000Hz
Shock G-Level	6G / 11ms
Weight	~185g
Temperature Range	-40°C to +85°C
Wire Section (at nominal Load)	min. 70mm ²
Mounting Position	optional
Switch Lever	removeable
Max. Torque (Main Contacts)	15-20Nm

Date	Name	mm	Scale	Drawing No.
Create 07.05.2018	Seege	↔	1:1	35-210-190-R
Edited 09.04.2019	Seege			
Check 24.06.2019	Grind			

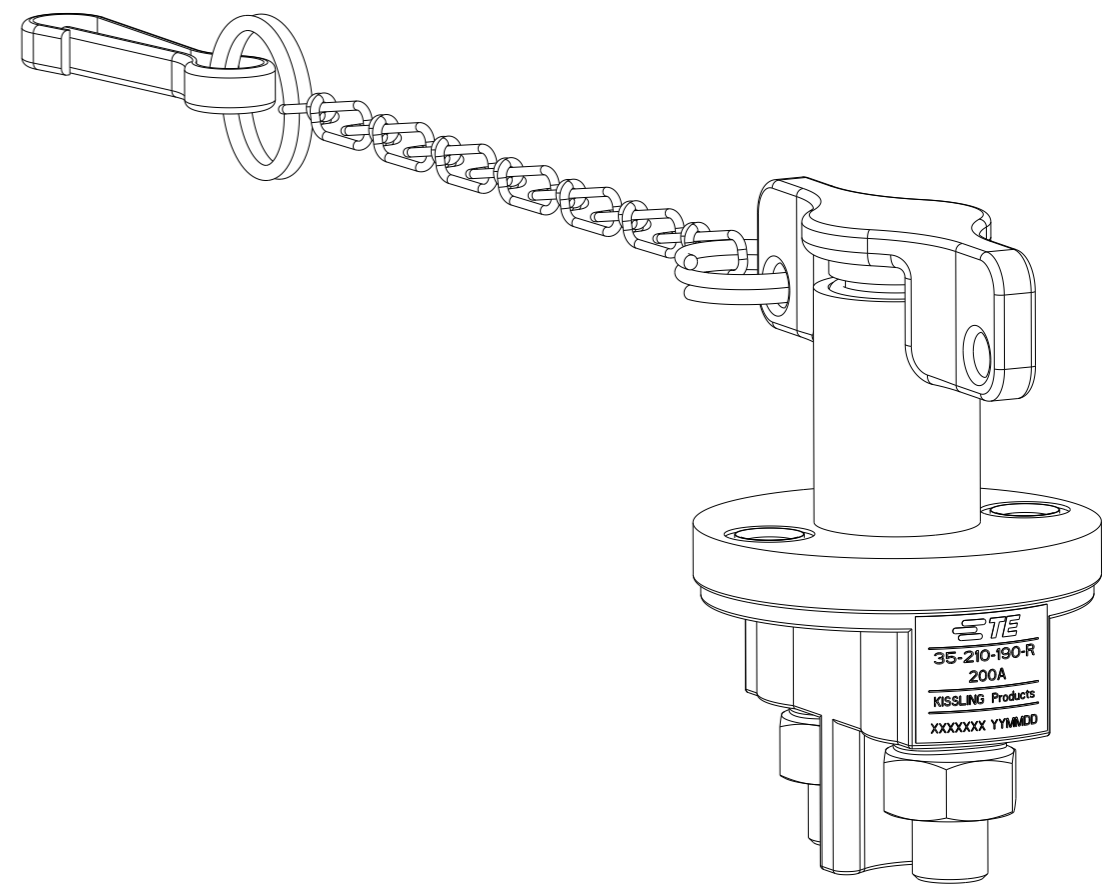
KISSLING

REVISIONS					
P	LTR	DESCRIPTION	DATE	DWN	APVD
	A	TE STANDARD	14MAY2024	KS	RB

NOTE
Bemerkungen:

1 TE-CONNECTIVITY ORDER-NUMBER
TE-connectivity Bestellnummer

2 DO NOT SWITCH UNDER LOAD!
Nicht unter Last schalten!



K1162352	1	A	BATTERY DISCONNECTOR 200A Batterietrennschalter 200A	1
TE ORDER-NO.	REV.		DESCRIPTION	ITEM NO

THIS DRAWING IS A CONTROLLED DOCUMENT.

DWN K.Seeger	07MAY2018
CHK K.Seeger	09MAY2019
APVD U.Grindemann	24 JUN 2019
PRODUCT SPEC	
APPLICATION SPEC	
WEIGHT	
CUSTOMER DRAWING	

DIMENSIONS:	TOLERANCES UNLESS OTHERWISE SPECIFIED:
mm	DIN ISO 2768 cL
	0 PLC ±
	1 PLC ±
	2 PLC ±
	3 PLC ±
	4 PLC ±
ANGLES	±
MATERIAL	FINISH

TE TE Connectivity

NAME
BATTERY DISCONNECTOR 200A
Batterietrennschalter 200A

SIZE	CAGE CODE	DRAWING NO	RESTRICTED TO
A3	00779	35-210-190-R	-

SCALE 1:1 SHEET 1 OF 1 REV A