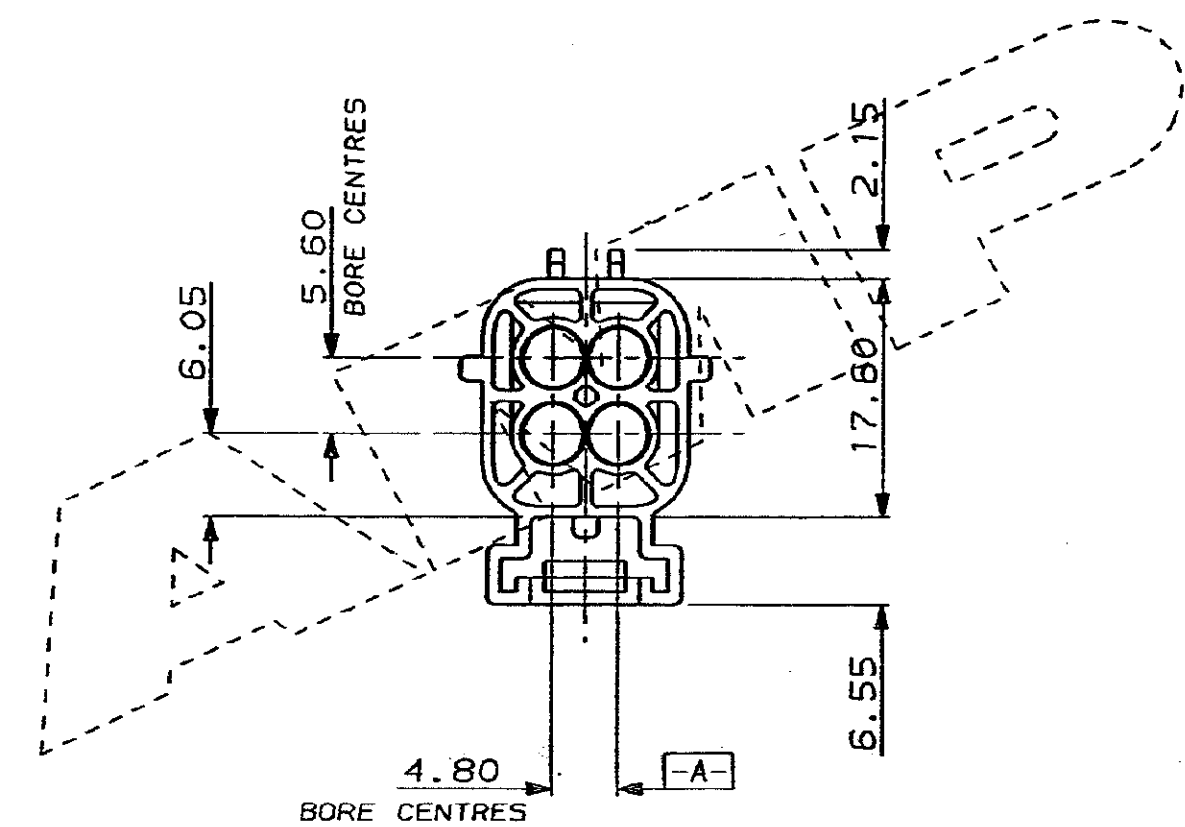
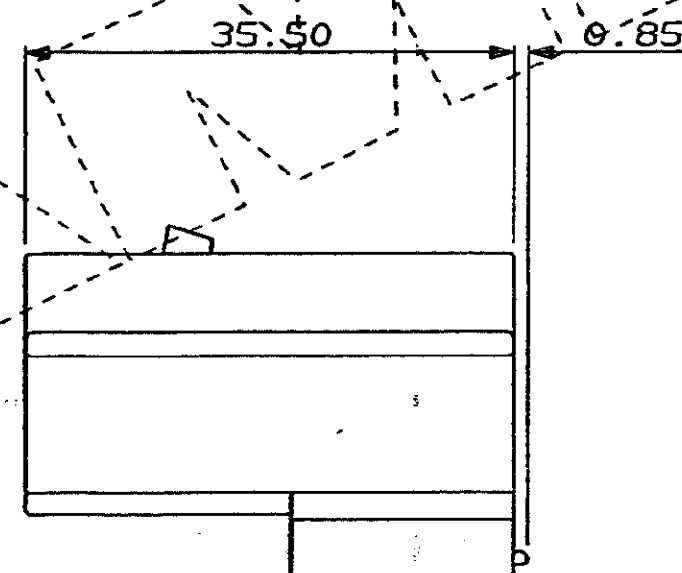
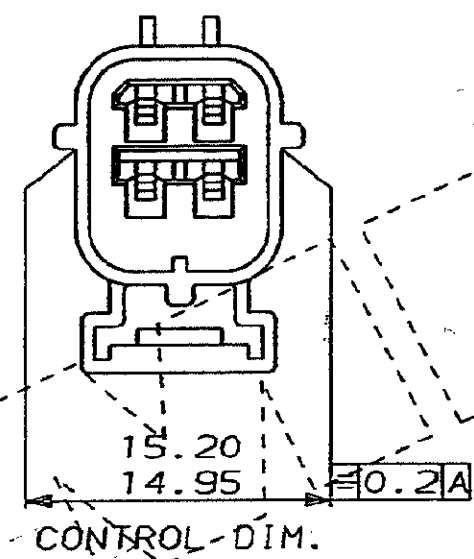


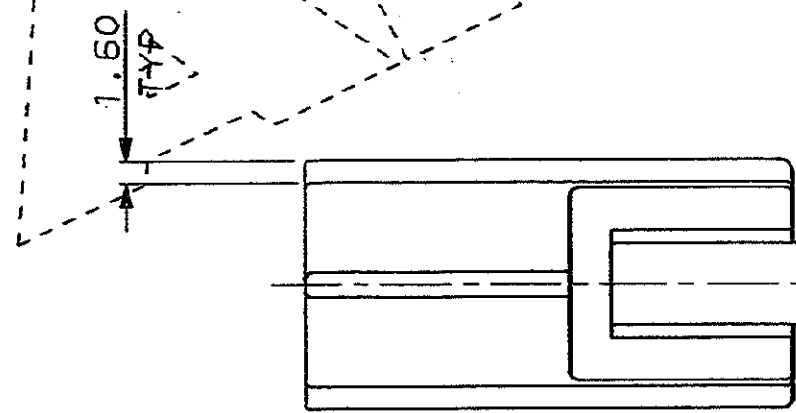
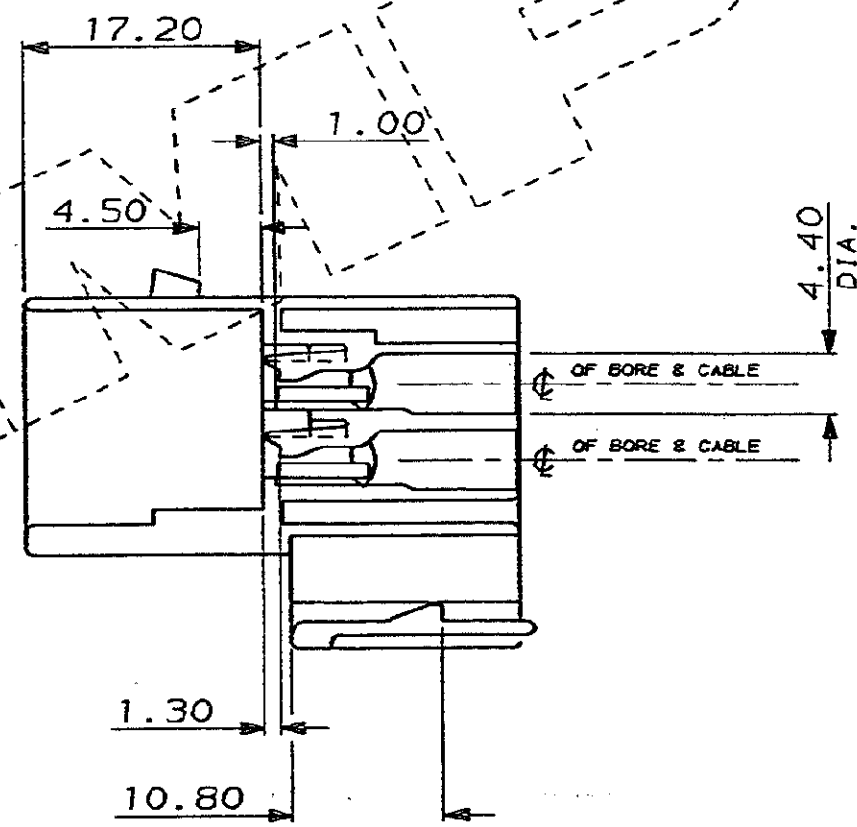
344268

DO NOT SCALE

DIMENSIONS IN MM.



FOR HEADER DETAILS OF THIS PART  
SEE CSP 8489 REV. 2.



OBSOLETE

|  |               |                                      |
|--|---------------|--------------------------------------|
| WHITE  | NYLON 6.6     | 344268-4                             |
| BLUE   | NYLON 6.6     | 344268-3                             |
| RED  | NYLON 6.6     | 344268-2                             |
| BLACK  | NYLON 6.6     | 344268-1                             |
| FINISH   | MATERIAL      | PART NUMBER                          |
| CUSTOMER DWG<br>FOR REFERENCE ONLY                                     |               | RELEASED FOR PUBLICATION<br>03/11/87 |
| TOLERANCES<br>UNLESS OTHERWISE<br>STATED ±<br>DEC ± 0.5<br>ANGLES ± 1° |               | DR. I. J.<br>03 NOV 1987             |
|  |               | CH. R. J. S. APP. B. J.              |
| <b>STE</b> TE Connectivity   |               |                                      |
| NAME<br>4 WAY TAB HOUSING<br>ECONOSEAL 3 LOW CURRENT                   |               |                                      |
| D1   | ECR-13-015490 | BB 06JAN2014                         |
| REV  | DESCRIPTION   | APP DATE                             |
|  |               |                                      |
| SCALE  | LOC           | SIZE                                 |
| 2/1  | E             | A2                                   |
| DWG. No.   |               | REV SHEET                            |
| C344268  |               | D1 1/1                               |