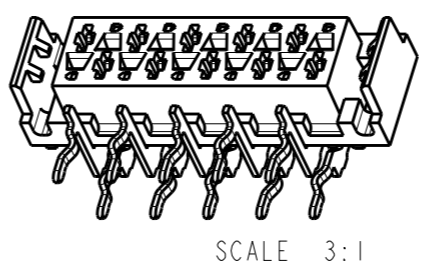
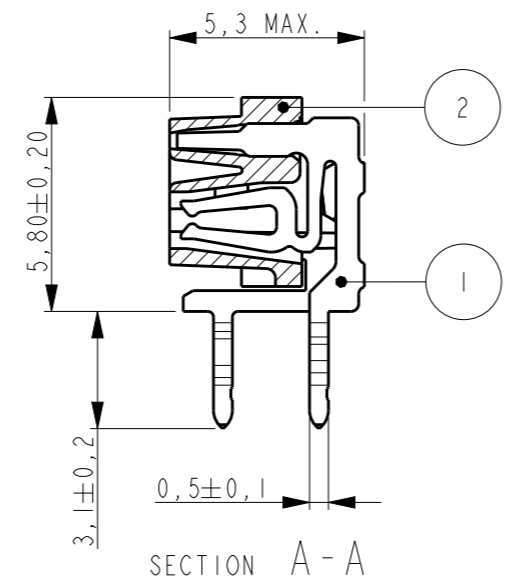
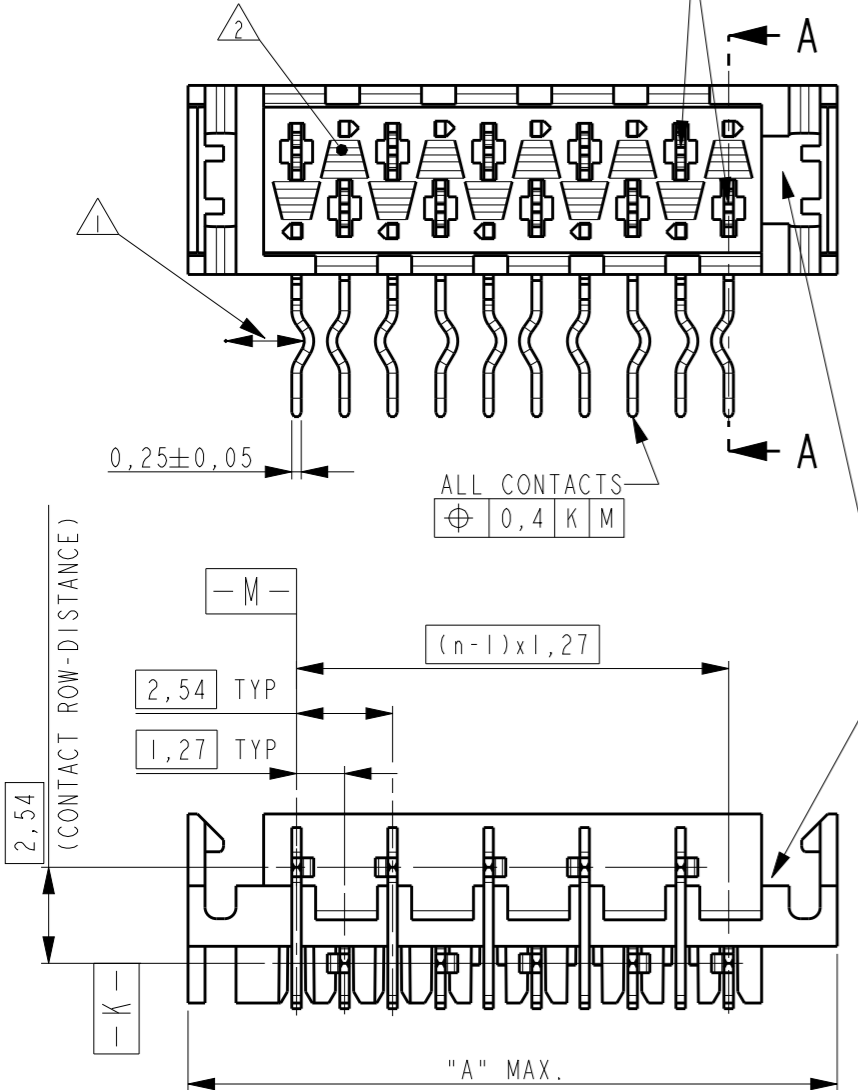


THIS DRAWING IS UNPUBLISHED. RELEASED FOR PUBLICATION 20  
COPYRIGHT 20 Y ALL RIGHTS RESERVED.

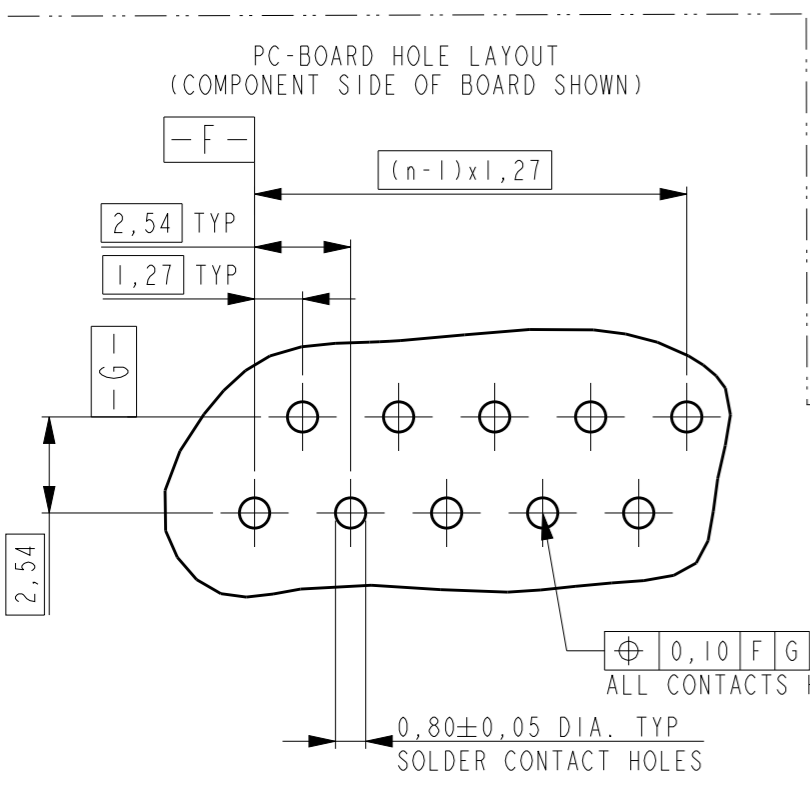
LOC H DIST -

REVISIONS				
P	LTR	DESCRIPTION	DATE	APVD
	G1	Adhesive tape width changed back to 6 mm	05FEB2016	SS PS

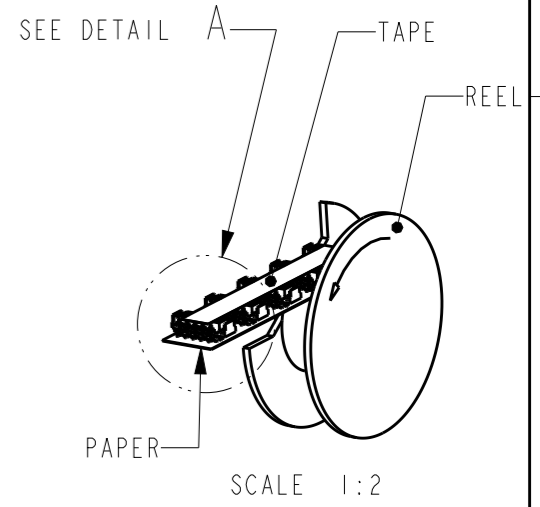
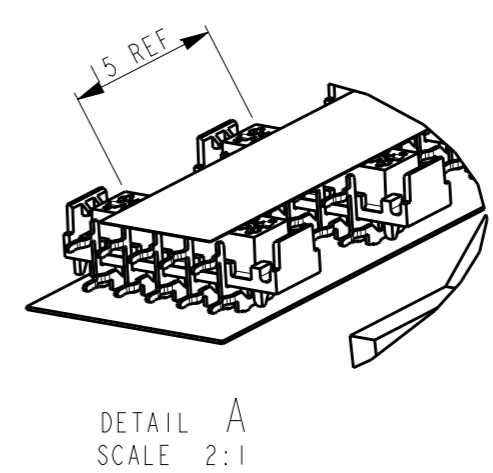
REFERENCE MATING INTERFACE PATTERN:  
1,27 STAGGERED PITCH x 1,5 ROW-DISTANCE.



PART NUMBER REEL PACKAGING	NR. OF POS "n"	"A" MAX
338070-4	4	9,7
338070-6	6	12,2
338070-8	8	14,7
1-338070-0	10	17,3
1-338070-2	12	19,8
1-338070-4	14	22,4
1-338070-6	16	24,9
1-338070-8	18	27,4
2-338070-0	20	30,0



- NOTES:
- 1 IN EACH ROW, DIRECTION OF KINKS STARTS RANDOM. IN EACH ROW, SEQUENTIAL CONTACTS HAVE OPPOSITE KINK DIRECTIONS.
  - 2 CORING-OUTS FOR MANUFACTURING PURPOSE ONLY. SHAPE MAY VARY, BUT IS NOT FUNCTIONAL FOR THE APPLICATION.
  - 3 SHOWN IS A 10 POSITION CONNECTOR.
  - 4 THIS AREA IS RESERVED FOR CONTACTS.



REEL PACKAGING DEREELING DIRECTION AND CONNECTOR POSITION. QUANTITY 2500 CONNECTORS PER REEL FOR ALL PART NUMBER.

THIS DRAWING IS A CONTROLLED DOCUMENT.

DIMENSIONS: mm	TOLERANCES UNLESS OTHERWISE SPECIFIED:
	0 PLC ±-
	1 PLC ±-
	2 PLC ±-
	3 PLC ±-
	4 PLC ±-
	ANGLES ±1°
MATERIAL -	FINISH -

2 HOUSING	G.F. POLYESTER PBT	RED
1 FEMALE CONTACT	PHOSPHOR BRONZE	TIN OVER NICKEL
ITEM NO.	DESCRIPTION	MATERIAL
DWN 03-JUN-96 DENNIS KESSLER		
CHK HUUB VAN DELFT		
APVD ERIC IJLJENS		
PRODUCT SPEC 108-19052	NAME	
APPLICATION SPEC	CONNECTOR, FEMALE-ON-BOARD, SIDE-ENTRY, THRU-HOLE, WITH LATCHES, Micro-MatCh	
WEIGHT	SIZE A3	CAGE CODE 00779
Customer Drawing	DRAWING NO C-338070	RESTRICTED TO
	SCALE 5:1	SHEET 1 OF 1
		REV G1

