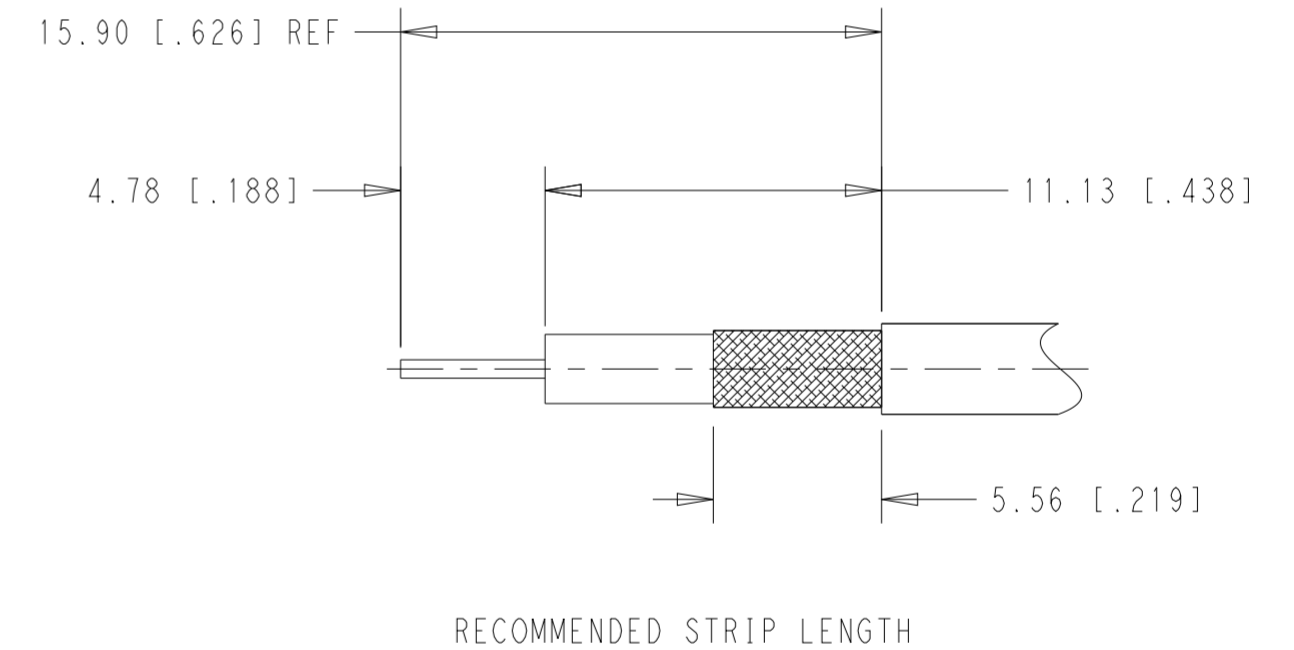
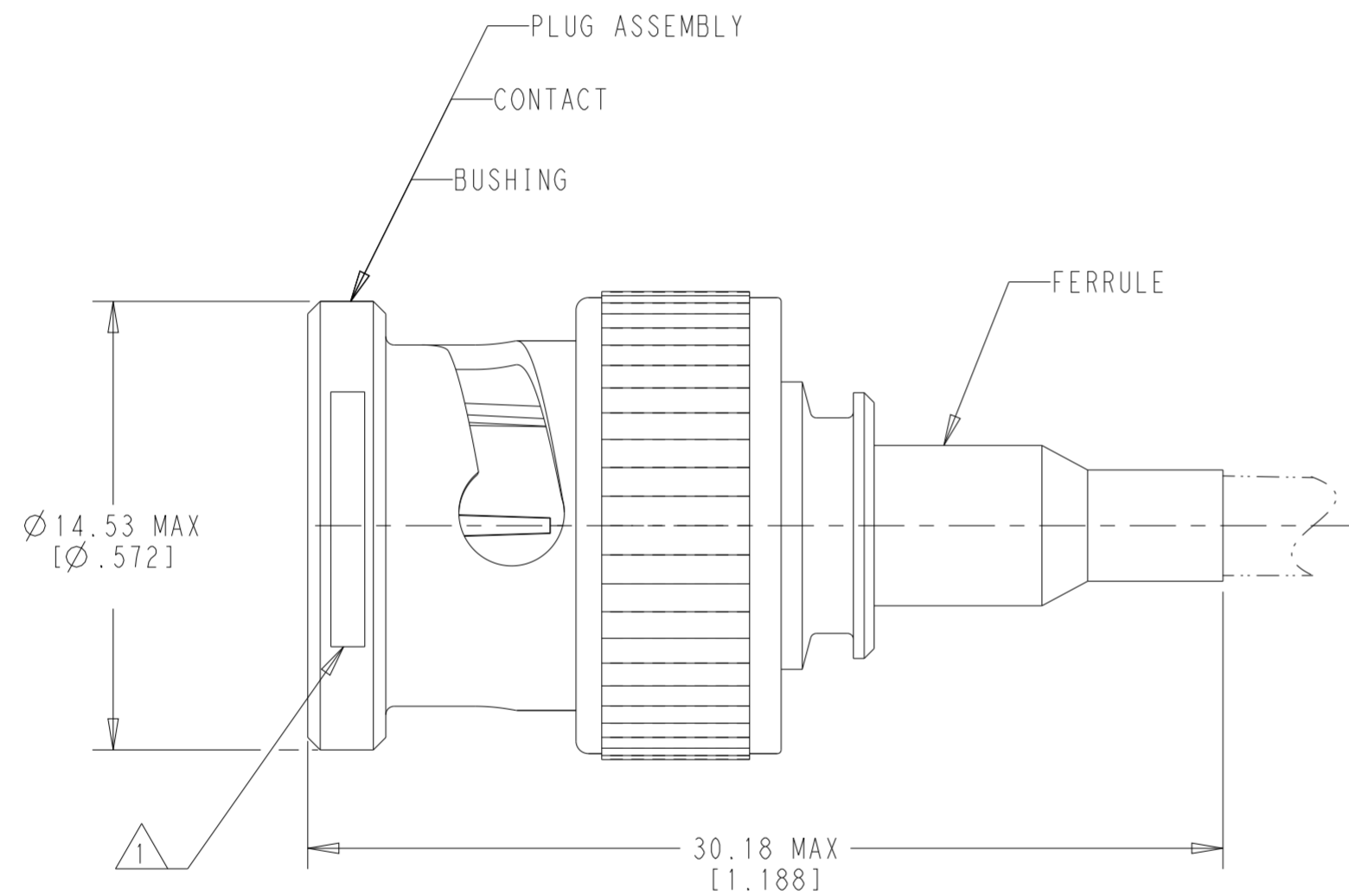


WARNING - THIS DOCUMENT CONTAINS TECHNOLOGY WHOSE EXPORT IS RESTRICTED BY THE EXPORT ADMINISTRATION REGULATIONS ("EAR") PURSUANT TO 15 C.F.R. PARTS 730-774. VIOLATIONS OF THE EAR ARE SUBJECT TO SEVERE CRIMINAL PENALTIES UNDER THE EXPORT CONTROL REFORM ACT, AS AMENDED (TITLE 50, U.S.C., SEC. 4801, ET SEQ.).

REVISIONS				
P	LTR	DESCRIPTION	DATE	APVD
	AH	REVISED PER ECO-15-011822	24NOV2015	RS CT
	AJ	REVISED PER ECN-24-278530	08AUG2024	PP JG

COMPONENT	MATERIAL	FINISH
SHELL	BRASS PER ASTM B16	SILVER PLATE PER ASTM B700
DIELECTRIC	PTFE FLUOROCARBON PER ASTM-D-1457	N/A
COLLAR	BRASS PER ASTM B16	SILVER PLATE PER ASTM B700
SPRING	BeCu PER ASTM B194	TIN PLATE PER ASTM B545
WASHER	BRASS PER ASTM B36	SILVER PLATE PER ASTM B700
MALE CONTACT	BRASS PER ASTM B16	GOLD PLATE PER ASTM B488 OVER NICKEL PLATE PER SAE-AMS-QQ-N-290
OUTER CONTACT	PHOSPHOR BRONZE ALLOY ASTM B139	SILVER PLATE PER ASTM B700
GASKET	SILICONE RUBBER PER A-A-59588	N/A
CRIMP FERRULE	COPPER OR BRASS ALLOY ROCKWELL B 45 MAX	SILVER PLATE PER ASTM B700
TUBING	PTFE FLUOROCARBON PER ASTM-D-3295	N/A



RG-174/U & 188/U	1424050-1	354940-1	-	8-331350-0
RG-142/U, 142A/U & 142B/U	-	69478-1	M39012/1680007	2-331350-9
RG-180A/U & 195/U	91904-1	354940-1	2-331350-6 & AMP	2-331350-6
RG-174/U & 188/U	1424050-1	354940-1	2-331350-4 & AMP	2-331350-4
RG-58/U, 58A/U, 58B/U & 58C/U	-	69478-1	M39012/16B0004	2-331350-1
FOR USE WITH CABLE:	DIE SET	CRIMP TOOL	MARKING	PART NUMBER

PLUG MARKED AS SHOWN.
2. SEE INSTRUCTION SHEET 408-1914-1.

THIS DRAWING IS A CONTROLLED DOCUMENT. DWN 02AUG2024
P. ESWARAMOORTHY

DIMENSIONS: mm	TOLERANCES UNLESS OTHERWISE SPECIFIED: 0 PLC ± 1 PLC ± 2 PLC ± 3 PLC ±.041[.016] 4 PLC ± ANGLES ± FINISH	CHK J. A. BAKER	NAME PLUG, DUAL CRIMP, SERIES BNC
		APVD J. GUNDERMANN	
MATERIAL		PRODUCT SPEC	RESTRICTED TO
		APPLICATION SPEC	SIZE A2
		WEIGHT	CAGE CODE 00779
		CUSTOMER DRAWING	DRAWING NO. C-331350
			SCALE 5:1 SHEET 1 OF 1 REV AJ

STE TE Connectivity