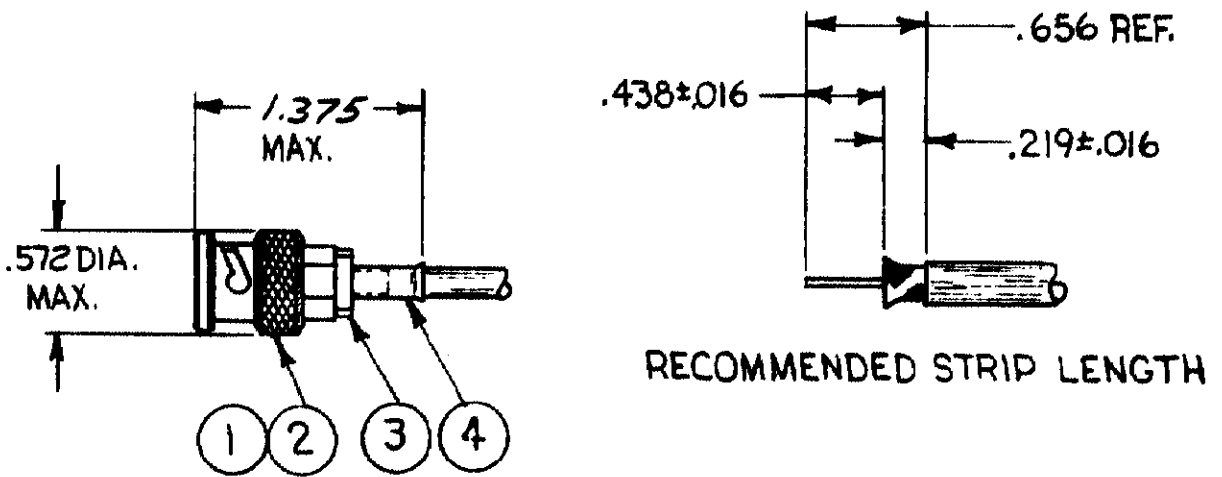


REVISIONS					
P	F	LTR	DESCRIPTION	DATE	APPROVED
<input checked="" type="checkbox"/>		G1	REVISED PER ECR-16-009453	30JUN16	BW

THIS DRAWING IS UNPUBLISHED. RELEASED FOR PUBLICATION MAY 25, 1983.
 BY AMP INCORPORATED, HARRISBURG, PA. ALL INTERNATIONAL RIGHTS RESERVED. AMP PRODUCTS MAY BE COVERED BY U.S. AND FOREIGN PATENTS AND/OR PATENTS PENDING.



RECOMMENDED STRIP LENGTH

1. FOR USE WITH: RG-178/U + 196/U CABLE
2. USE CRIMPING TOOL: 69245-4.
3. SEE I.S. 1799-1
4. WEIGHT: .451 OZ.

ITEM	QTY.	DESCRIPTION	PART NO
4	1	FERRULE	328667
3	1	CRIMP END ASSV	9-50780-4
2	1	GASKET	2-329106-1
1	1	PLUG ASSY	9-329804-0

UNLESS OTHERWISE SPECIFIED DIMENSIONS ARE IN INCHES. TOLERANCES ON: DECIMALS ± # ANGLES ± #

CONTRACT NO	DR <i>[Signature]</i> 8-25-83
CHK <i>[Signature]</i> 9/12/83	APPD <i>[Signature]</i> 11/21/83
APPD <i>[Signature]</i> 11/21/83	DSGN APPD
OTHER APPD	

AMP | AMP INCORPORATED
Harrisburg, Pa. 17105

NAME
**CONNECTOR, COAXIAL, R.F.,
PLUG, SERIES BNC**

MATERIAL
H

FINISH
H

SIZE A	FSCM NO 00779	DRAWING NO 330876
SCALE NTS		SHEET