

4

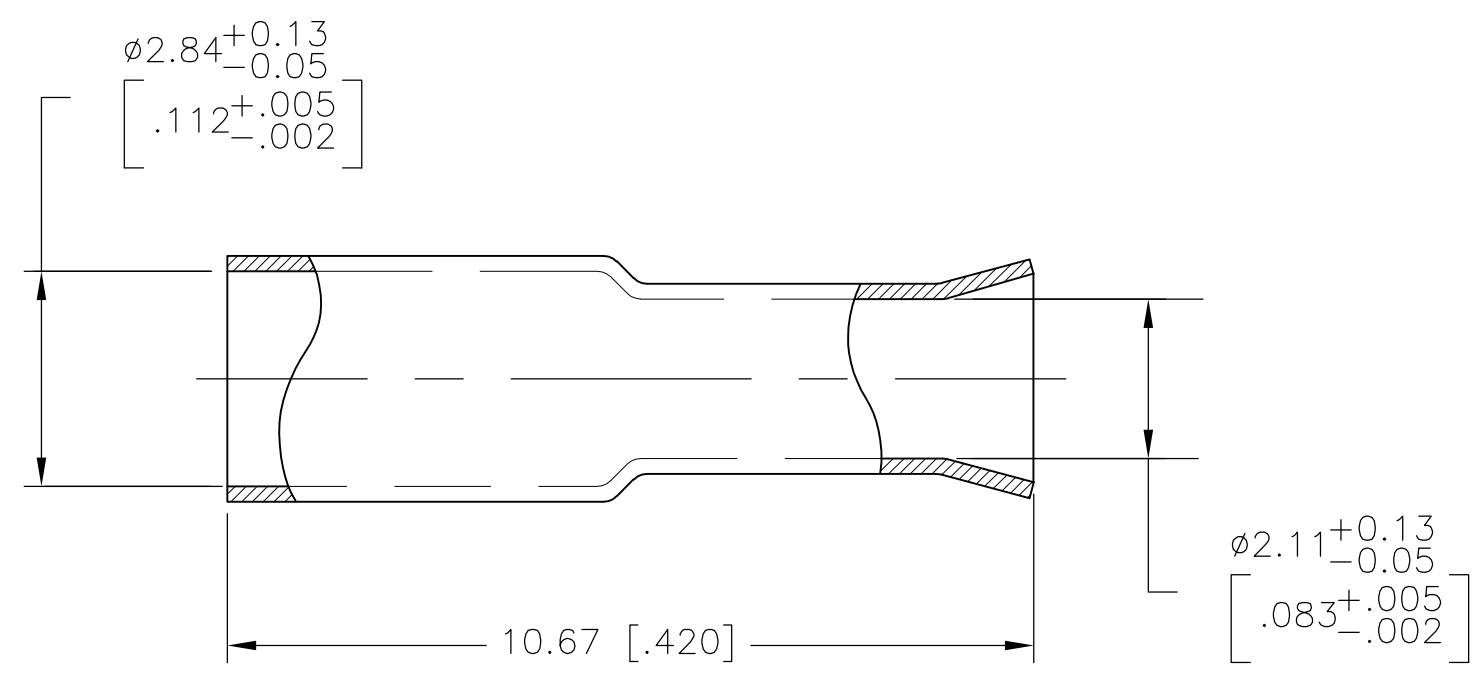
3

2

1

THIS DRAWING IS UNPUBLISHED. RELEASED FOR PUBLICATION
 © COPYRIGHT BY TYCO ELECTRONICS CORPORATION. ALL INTERNATIONAL RIGHTS RESERVED.

LOC	DIST	REVISIONS					
AJ	16	P	LTR	DESCRIPTION	DATE	DWN	APVD
		L		REVISED PER ECO-10-008433	20MAY10	HMR	KW



- 1 COPPER ALLOY
- 2 SILVER PL PER QQ-C-365.
5.08|m [.000200] MIN THICKNESS
- 3 TIN LEAD PL PER ASTM-B-545
0.76|m [.000030] MIN THICKNESS

OBSOLETE	3	2-328667-6
	2	328667
FINISH		PART NUMBER

THIS DRAWING IS A CONTROLLED DOCUMENT.		DWN S.D.KOHL 4-15-91	Tyco Electronics Corporation Harrisburg, PA 17105-3608	
DIMENSIONS: mm [INCHES]		CHK M.E. COWHER 5-14-91	NAME FERRULE	
TOLERANCES UNLESS OTHERWISE SPECIFIED:		APVD M. PHILLIPS 5-16-91	PRODUCT SPEC	
0 PLC ± -		APPLICATION SPEC		
1 PLC ± -		SIZE A3		
2 PLC ± 0.38 [.015]		CAGE CODE 00779		
3 PLC ± -		DRAWING NO C-328667		
4 PLC ± -		RESTRICTED TO		
ANGLES ± -		SCALE 10:1		
MATERIAL SEE NOTES		SHEET 1 OF 1		
FINISH SEE NOTES		REV L		
		CUSTOMER DRAWING		