

4

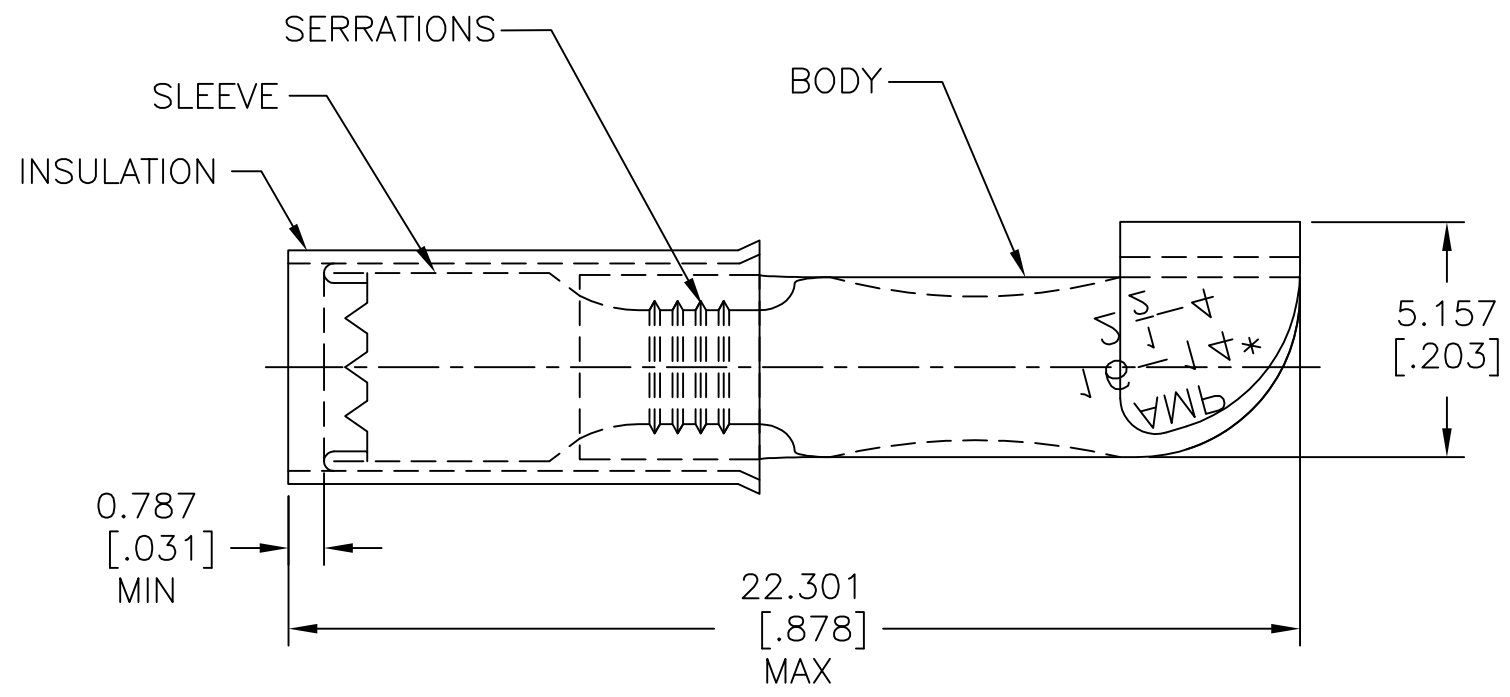
3

2

1

THIS DRAWING IS UNPUBLISHED. RELEASED FOR PUBLICATION  
 © COPYRIGHT - TE Connectivity ALL RIGHTS RESERVED.

REVISIONS					
P	LTR	DESCRIPTION	DATE	DWN	APVD
	D1	REDRAWN PER ECR 09-005983	13MAR09	JR	TM
	D2	REVISED PER ECO-17-013201	12SEP2017	RS	DR



- 1 NOTE DELETED.
- 2 FOR 2.667[.105] TO 3.810[.150] WIRE INSULATION DIA.

1000	LOOSE PIECE	INSULATION: PVC, COLOR BLUE SLEEVE: COPPER PER ASTM B152 BODY: COPPER PER ASTM B152 TIN PLATE PER ASTM B545	32447
QTY.	PACKAGE TYPE	MATERIAL	PART NO

AMP INCORPORATED CUSTOMER SERVICE SYSTEMS		MAX RECOMMENDED OPERATING TEMPERATURE: 105°C [221°F]  VOLTAGE RATING: 300 V MAX  WIRE CROSS SECTIONAL AREA RANGE, 1.04-2.62mm²[2,050-5,180] CIR MILS SOLID OR STRANDED
FOR ADDITIONAL PRODUCT INFORMATION OR COPIES OF DRAWINGS AND TECHNICAL DOCUMENTS	PRODUCT INFORMATION CENTER 1-800-522-6752	
FOR APPLICATION TOOLING INFORMATION	TOOLING ASSISTANCE CENTER 1-800-722-1111	
FOR ORDER ENTRY	1-800-526-5142	

THIS DRAWING IS A CONTROLLED DOCUMENT.	
DIMENSIONS: mm [INCHES]	TOLERANCES UNLESS OTHERWISE SPECIFIED:
	0 PLC ± -
	1 PLC ± -
	2 PLC ± -
	3 PLC ± 0.127[.005]
	4 PLC ± -
	ANGLES ± 5°
MATERIAL SEE TABLE	FINISH SEE TABLE

DWN jr_ruth 13MAR09	<b>STE</b> TE Connectivity	
CHK TOM MICHIELUTTI 13MAR09		
APVD TOM MICHIELUTTI 13MAR09	NAME TERMINAL, PIDG KNIFE DISCONNECT, WIRE SIZE 16-14 AWG	
PRODUCT SPEC -	SIZE A3	CAGE CODE 00779
APPLICATION SPEC -	DRAWING NO C=32447	RESTRICTED TO -
WEIGHT -	CUSTOMER DRAWING	
SCALE 8:1		SHEET 1 OF 1
REV D2		