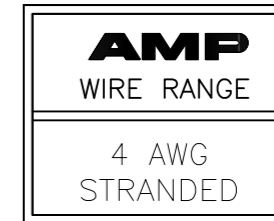
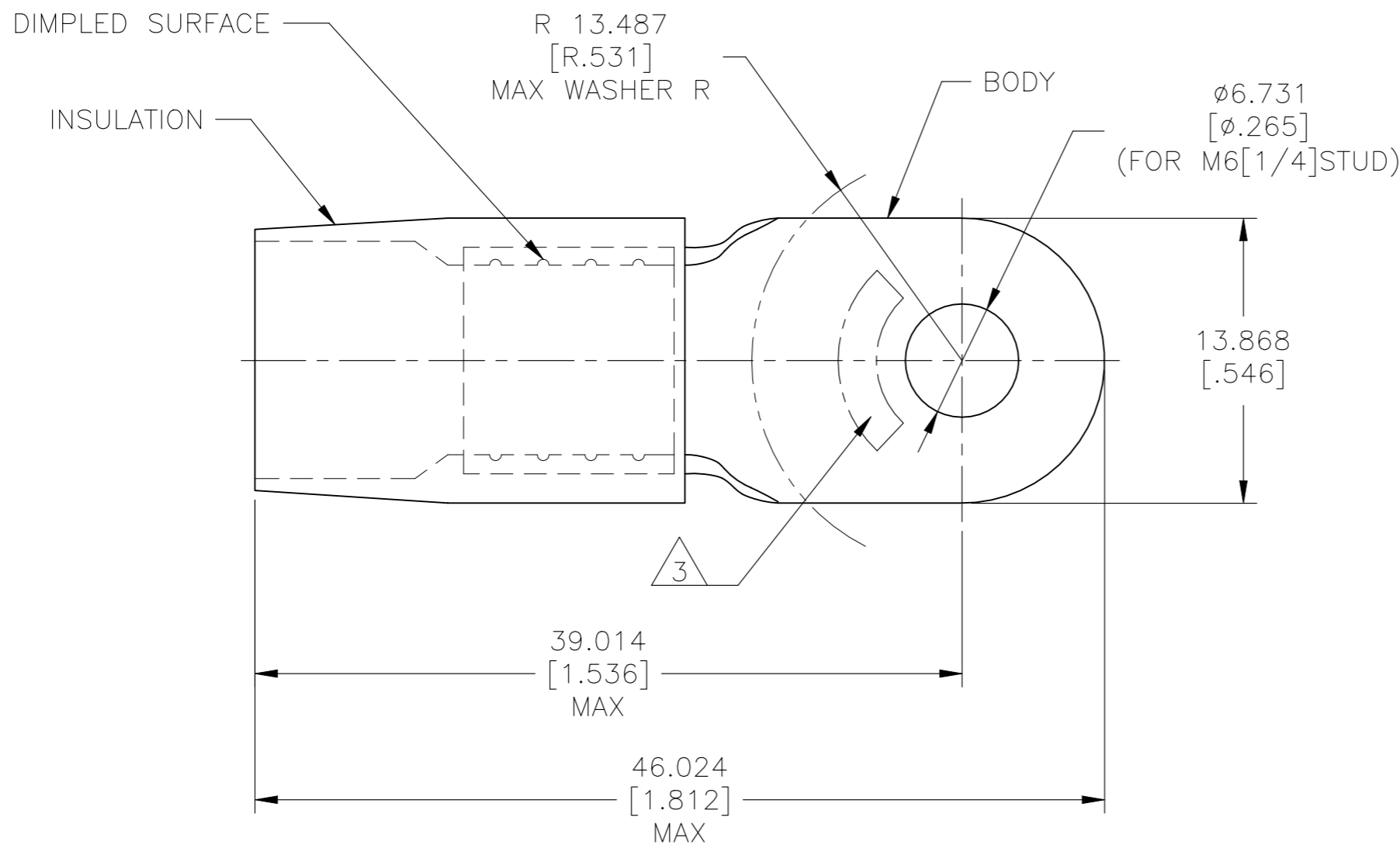


REVISIONS

P	LTR	DESCRIPTION	DATE	DWN	APVD
	H3	REVISED PER ECN-22-150900	27APR2022	RK	CSD



- 1 BODY MATERIAL THK 1.219±0.051[.048±.002]
- 2 FOR $\phi 9.702[\phi.382]$ MAX WIRE INS.
- 3 STAMP AMP 4* APPROX AS SHOWN.



100	LOOSE PC	324050
QTY	PACKAGE TYPE	PART NO

AMP INCORPORATED
CUSTOMER SERVICE SYSTEMS

MAX RECOMMENDED OPERATING TEMPERATURE:

105°C[221°F]

VOLTAGE RATING:

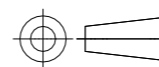
-

CIRCULAR MIL AREA:

16.8-26.7mm²[33,100-52,600] STRANDED

THIS DRAWING IS A CONTROLLED DOCUMENT.

DIMENSIONS:
mm [INCHES]



TOLERANCES UNLESS OTHERWISE SPECIFIED:

0 PLC	± -
1 PLC	± -
2 PLC	± -
3 PLC	± 0.127[.005]
4 PLC	± -
ANGLES	± -

MATERIAL

BODY: COPPER PER ASRM B-152
INSULATION: NYLON ASTM D4066 TYPE 1

FINISH

BODY: TIN PLATE PER ASTM B545
INSULATION: 60LOR-YELLOW

DWN S.S. GOULDEN 6-18-93

CHK R. HERSEY 6-18-93

APVD B. BARE 6-18-93

PRODUCT SPEC -

APPLICATION SPEC -

WEIGHT -



NAME
TERMINAL, RING TONGUE, TERMINYL
WIRE SIZE: 4 AWG

SIZE	CAGE CODE	DRAWING NO	RESTRICTED TO
A3	00779	C-324050	-

FOR ADDITIONAL PRODUCT INFORMATION OR COPIES OF DRAWINGS AND TECHNICAL DOCUMENTS
PRODUCT INFORMATION CENTER
1-800-522-6752

FOR APPLICATION TOOLING INFORMATION
TOOLING ASSISTANCE CENTER
1-800-722-1111

FOR ORDER ENTRY
1-800-526-5142

THIS DRAWING IS A CONTROLLED DOCUMENT FOR AMP INCORPORATED. IT IS SUBJECT TO CHANGE AND THE CONTROLLING ENGINEERING ORGANIZATION SHOULD BE CONTACTED FOR THE LATEST REVISION.

CUSTOMER DRAWING SCALE NTS SHEET 1 OF 1 REV H3