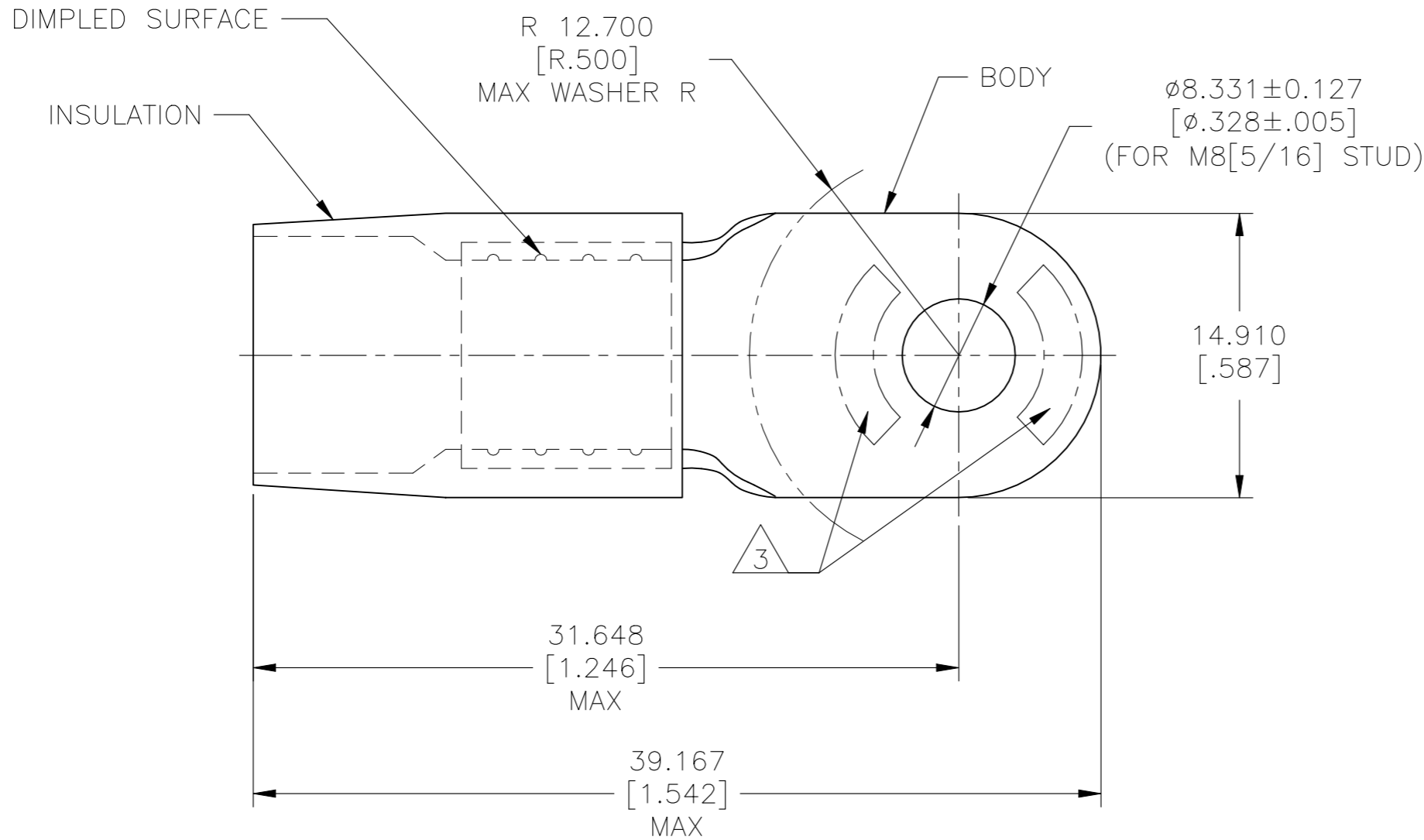


REVISIONS

P	LTR	DESCRIPTION	DATE	DWN	APVD
	D3	REVISED PER ECN-22-150900	27APR2022	RK	CSD



- 1 BODY MATERIAL THK 0.991±0.051[.039±.002]
- 2 FOR Ø6.502[Ø.256] MAX WIRE INS.
- 3 STAMP AMP 8* 14 APPROX AS SHOWN.

100	LOOSE PC	324044
QTY	PACKAGE TYPE	PART NO

AMP INCORPORATED CUSTOMER SERVICE SYSTEMS		MAX RECOMMENDED OPERATING TEMPERATURE: 105°C[221°F]		THIS DRAWING IS A CONTROLLED DOCUMENT.		DWN S.S. GOULDEN 6-18-93		TE Connectivity NAME: TERMINAL, RING TONGUE, TERMINYL WIRE SIZE: 8 AWG			
		VOLTAGE RATING: -		DIMENSIONS: mm [INCHES]		TOLERANCES UNLESS OTHERWISE SPECIFIED:					
FOR ADDITIONAL PRODUCT INFORMATION OR COPIES OF DRAWINGS AND TECHNICAL DOCUMENTS PRODUCT INFORMATION CENTER 1-800-522-6752		CIRCULAR MIL AREA: 6.64-10.5mm² [13,100-20,800] STRANDED				APVD B. BARE 6-18-93		SIZE: A3 CAGE CODE: 00779 DRAWING NO: C-324044 RESTRICTED TO: - WEIGHT: -			
FOR APPLICATION TOOLING ASSISTANCE CENTER TOOLING INFORMATION 1-800-722-1111		MATERIAL: COPPER PER ASTM B-152 NYLON ASTM D4066 TYPE 1 COLOR: RED				FINISH: TIN PLATE PER ASTM B545					
FOR ORDER ENTRY 1-800-526-5142		THIS DRAWING IS A CONTROLLED DOCUMENT FOR AMP INCORPORATED. IT IS SUBJECT TO CHANGE AND THE CONTROLLING ENGINEERING ORGANIZATION SHOULD BE CONTACTED FOR THE LATEST REVISION.		CUSTOMER DRAWING		SCALE: NTS		SHEET: 1 OF 1		REV: D3	