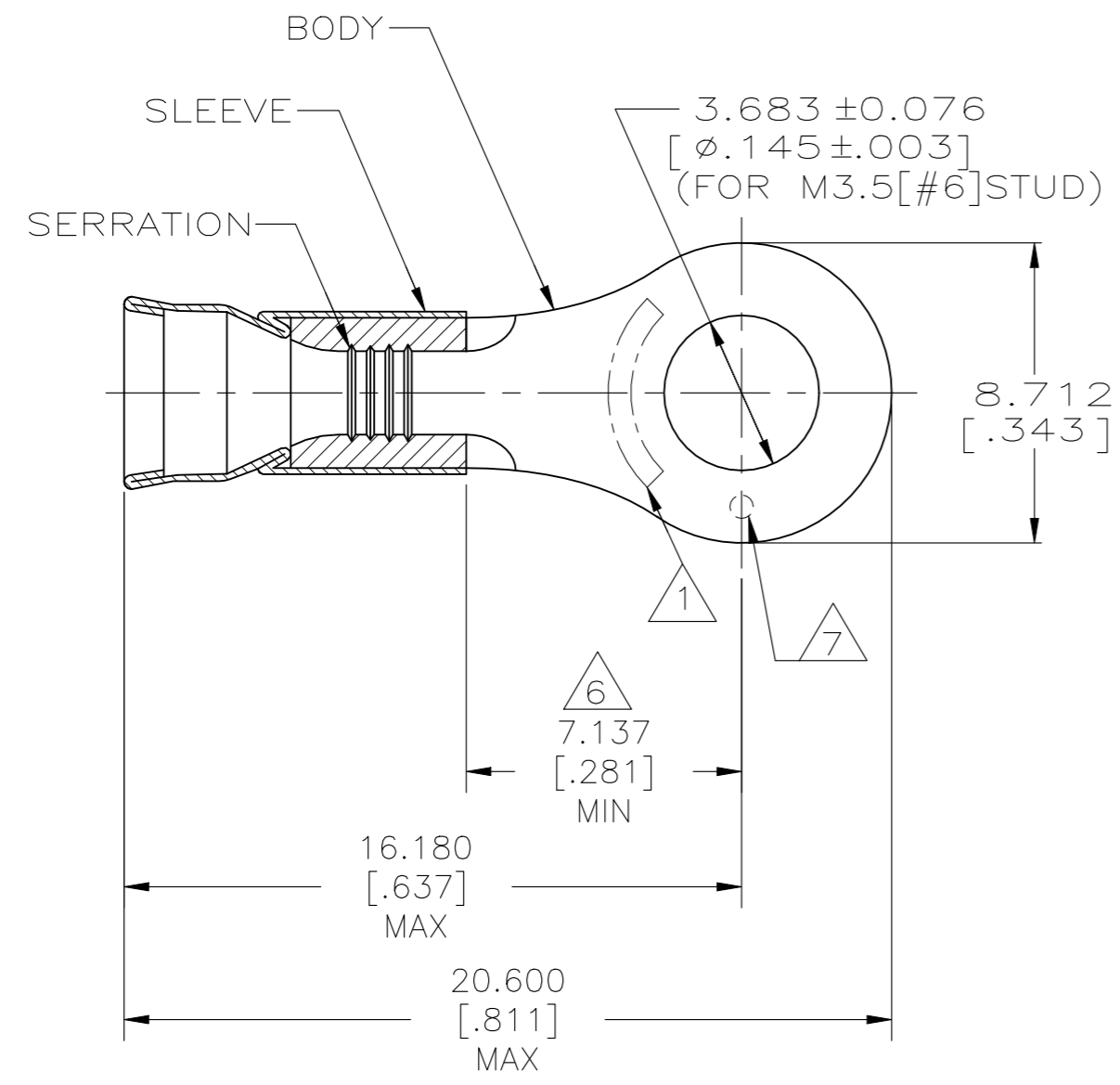


© - TE Connectivity. All Rights Reserved.

REVISIONS				
P	LTR	DESCRIPTION	DATE	APVD
	G	REVISED PER ECR-23-181664	04AUG2023	SA DSC



- ① STAMP AMP 16-14* APPROX AS SHOWN
- 2 WIRE INSULATION DIAMETER:
 $\phi 3.048$ [$.120$] TO $\phi 4.318$ [$.170$]
- 3 BODY MATERIAL THK: 0.787 ± 0.051 [$.031 \pm .002$]
- ④ MATERIAL:
BODY - COPPER PER ASTM B152
SLEEVE - NICKEL SILVER PER ASTM B122
- ⑤ FINISH:
BODY - NICKEL PLATE 0.00762 [$.000300$]
MIN EXT THK PER SAE AMS-QQ-N-290
- ⑥ APPLIES FROM EDGE OF METAL WIRE BARREL
TO CENTER OF STUD HOLE
- ⑦ DIMPLE STAMP MARK OPTIONAL

1000	LOOSE PIECE	322373
QTY	PACKAGE TYPE	PART NO

AMP INCORPORATED CUSTOMER SERVICE SYSTEM		MAX RECOMMENDED OPERATING TEMPERATURE: 343°C [650°F]	THIS DRAWING IS A CONTROLLED DOCUMENT.		DWN L OLMEDA 100CT94	TE Connectivity			
PRODUCT INFORMATION OR COPIES OF DRAWINGS AND TECHNICAL DOCUMENTS	PRODUCT INFORMATION CENTER 1-800-522-6752	VOLTAGE RATING: -	DIMENSIONS: mm [INCHES]	TOLERANCES UNLESS OTHERWISE SPECIFIED:	CHK M ELLIS 100CT94				NAME
FOR APPLICATION	TOOLING ASSISTANCE CENTER 1-800-722-1111	CIRCULAR MIL AREA: 1.04MM ² -2.62MM ² [2050-5180]		0 PLC ± -	APVD S BORTNER 100CT94	TERMINAL, RING TONGUE, STRATOTHERM, DIAMOND GRIP, WIRE SIZE:16-14			
TOOLING INFORMATION	1-800-526-5142	STRANDED WIRE		1 PLC ± -	2 PLC ± -	PRODUCT SPEC	SIZE	CAGE CODE	DRAWING NO
FOR ORDER ENTRY	1-800-526-5142		MATERIAL	3 PLC ± 0.127[.005]	APPLICATION SPEC	A3	00779	C-322373	
			④	4 PLC ± -	WEIGHT	CUSTOMER DRAWING			SCALE 6:1
				5 PLC ± -				SHEET 1 OF 1	REV G