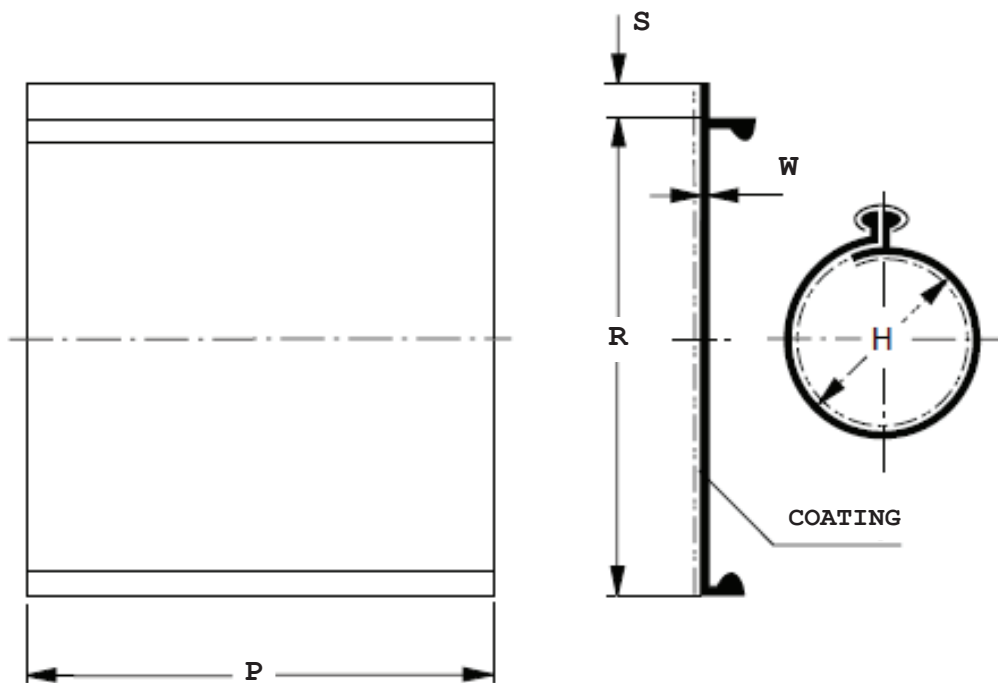


REVISIONS

REV	DESCRIPTION /MODIFICATIONS	DATE	DWN	APVD
1	NEW DRAWING	06MAY2020		

NOTES

- DIMENSIONS IN mm. a = AS SUPPLIED, b = AFTER FREE RECOVERY
- COATING CODE: /239. MIN THICKNESS: 0.6 mm
- STANDARD LENGTHS P (mm): 250, 500, 750, 1000, 1200 and 1500. OTHER CUT LENGTHS AVAILABLE UNDER REQUEST
- MAXIMUM LONGITUDINAL CHANGE AFTER FREE RECOVERY: -5%/+10%
STANDARD CUT LENGTH TOLERANCES:
± 5 mm (P ≤ 250)
± 10 mm (P > 250)
± 15 mm (P>500)
- STANDARD PRINTING: LOGO, CRSM, PRODUCT SIZE, BATCH NUMBER

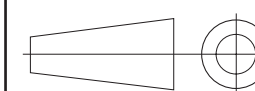


PRODUCT SIZE	APPLICATION RANGE		H		R		S	W	
	MIN	MAX	a min	b max	a min	b max	a min	a min	b min
CRSM 34/10	11	27	35	9	110	35	15	0.3	2.4
CRSM 53/13	17	43	54	15	175	49	20	0.3	2.0
CRSM 84/20	24	68	85	21	270	69	32	0.3	2.0
CRSM 107/29	32	86	108	27	340	90	32	0.3	2.0
CRSM 143/36	39	115	144	28	455	119	32	0.3	1.8
CRSM 198/55	60	160	203	50	640	172	32	0.3	2.1
CRSM 250/98	105	200	257	91	810	314	32	0.3	1.7



THIS DRAWING IS A CONTROLLED DOCUMENT.

DIMENSIONS: mm



MATERIAL

TOLERANCES UNLESS OTHERWISE SPECIFIED:

FINISH

DWM BHR

CHK ANM

APVD: ANM

PRODUCT SPEC

APPLICATION SPEC

WEIGHT

CUSTOMER DRAWING



NAME
CRSM HEAT SHRINK WRAPAROUND SLEEVE

SIZE FORMAT CAGE CODE DRAWING NO RESTRICTED TO

A3 - EPD-202-32014-01

SCALE NTS SHEET 1 REV 1