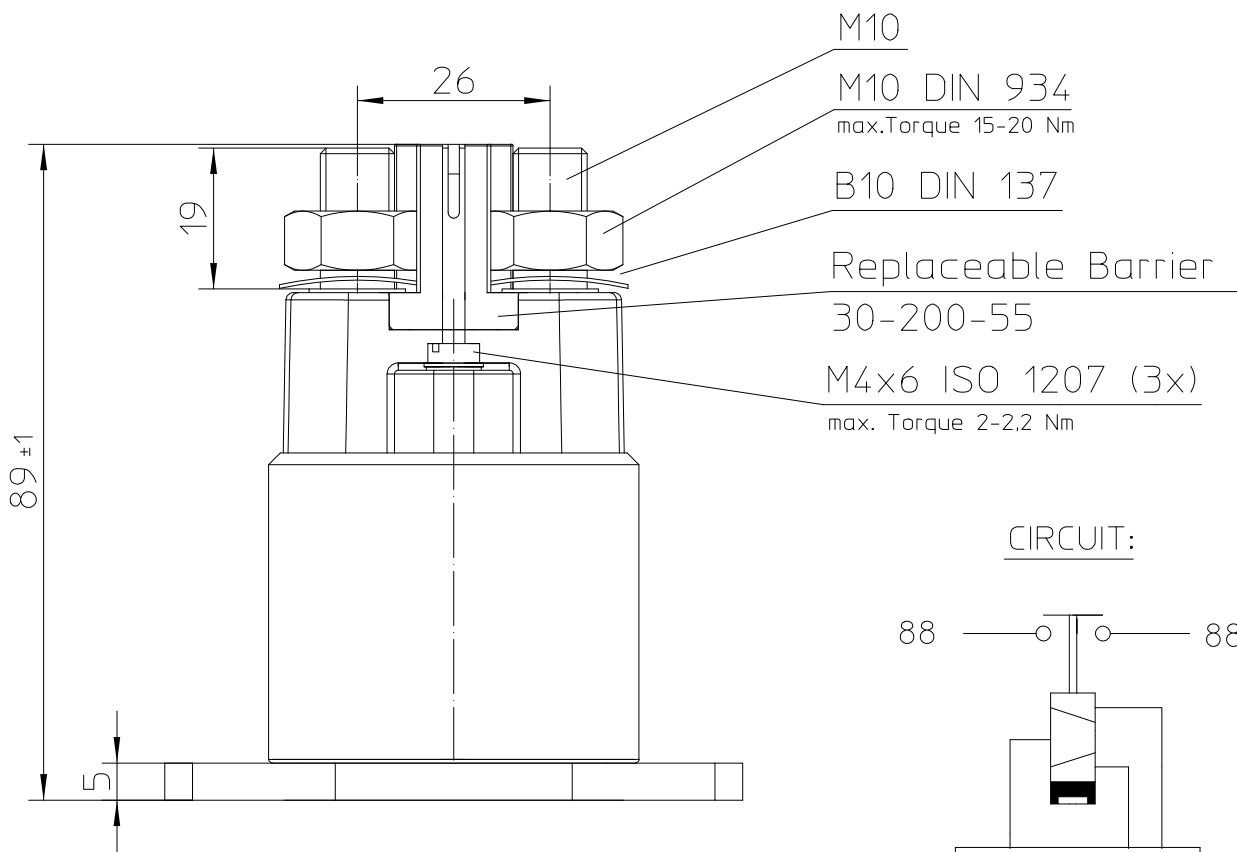
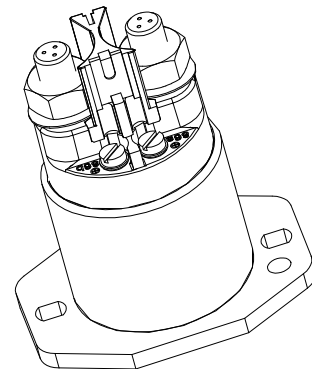
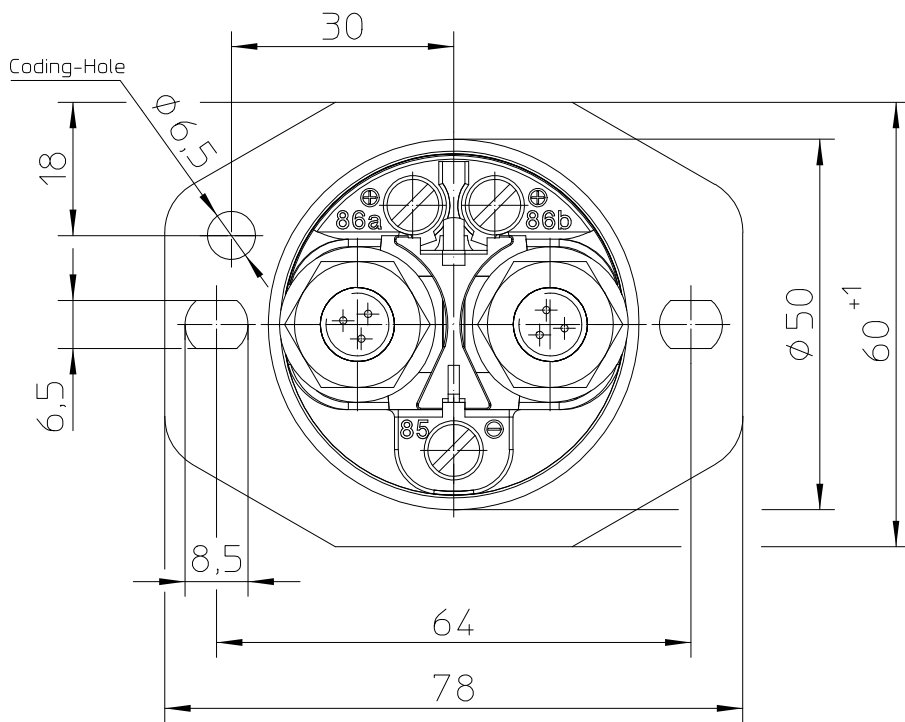
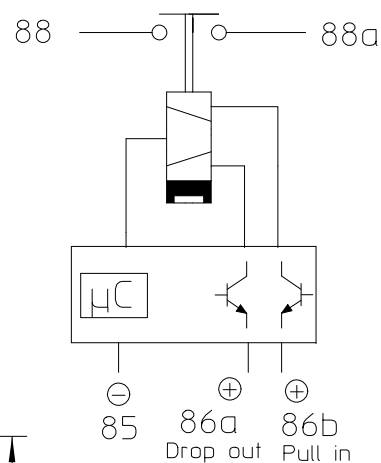


For this drawing we reserve the copyright in accordance with DIN ISO 16016



CIRCUIT:



	Date	Name
Create	05.04.2011	Kaise
Edited	27.11.2019	Mielk
Check	29.11.2019	Kaise

mm	Scale
↔	1:1
General Tolerances	



Drawing No:

31-313-12-S

NSN:

Technical Data

The technical principle of this relay is a proved two coil device with a Pull In and Drop Out coil with permanent powerless magnetic holding. An impulse into the controlled coil switches the relay in to an On or Off position. The electronic function protects against incorrect actuation which therefore prevents overheating or damage to any component parts. When switching ON the electronics this creates an impulse to the pull in coil which then closes the main relay contacts. Whilst switching OFF the electronics this creates an impulse to the drop out coil which then opens the relays main contacts.

The minimum pick up impulse time is approximately 250 ms and continuous signals will not cause any damage. The electronic board integrates under voltage function that eliminates critical mechanic actuation, a suppression diode, coil, short circuit and polarity protection.

The geometric size and measurement are identical to those of a standard bi-stable 30 series relay which therefore offers the user an interchangeable solution.

ENVIRONMENTAL CHARACTERISTICS

TEMPERATURE RANGE.....-40°C TO +85°C (-40°F TO +185°F)
 MAX. ALTITUDE RATING.....50 000 FT
 SEAL.....IEC 529,2.EDITION 1989-IP67 (6 FT/1MIN.) AND IP6K9K
 SHOCK G-LEVEL.....6G/11 MSEC
 VIBRATION4G/50-2000 Hz

ELECTRICAL CHARACTERISTICS

MIN.INSULATION RESISTANCE,INITIAL.....100 MEGOHMS
 AFTER LIVE OR ENVIRONMENTAL.....50 MEGOHMS
 DIELECTRIC WITHSTANDING VOLTAGE.....1 050 VAC / 1 MIN
 MAX.CONTACT DROP,INITIAL.....0,15 VDC
 AFTER LIFE TEST.....0,175 VDC
 OVERLOAD.....2400 AMP for 1 sec.; 600 AMP for 20 sec.
 DUTY RATING.....300 AMP CONTINUOUS
 QUIESCENT CURRENT.....APPROX 2mA

RATED CONTACT LOAD

MOTOR LOAD.....50 000 CYCLES
 MECHANICAL LIFE.....100 000 CYCLES

ELECTRONICS AND OPERATING CHARACTERISTICS

VOLTAGE RANGE.....18-32 VDC
 NOMINAL VOLTAGE.....24 VDC
 PICK UP VOLTAGE MIN.....18 VDC FULL TEMP. RANGE
 PICK UP CURRENT AT 24 VDC.....APPROX 2,9A FOR 50 MSEC
 DROP OUT CURRENT AT 24 VDC.....APPROX 3,0A FOR 50 MSEC

CIRCUIT TIME



PICK UP INCL. BOOUNCE AND RUNNING TIME μ C.....250 MSEC APPROX
 DROP OUT INCL. RUNNING TIME μ C.....250 MSEC APPROX

WEIGHT.....0,55 kg= 1.21 POUND MAX.

WIRE SECTION (AT NOMINAL LOAD).....MIN. 95mm²/0.147 sq. in./ AWG 0000

SUBJECT TO CHANGE

For this drawing we reserve the copyright in accordance with DIN ISO 16016

	Date	Name		Scale 1:1		Drawing No:
Create	05.04.2011	Kaise				General Tolerances
Edited	27.11.2019	Mielk	NSN:			
Check	29.11.2019	Kaise				