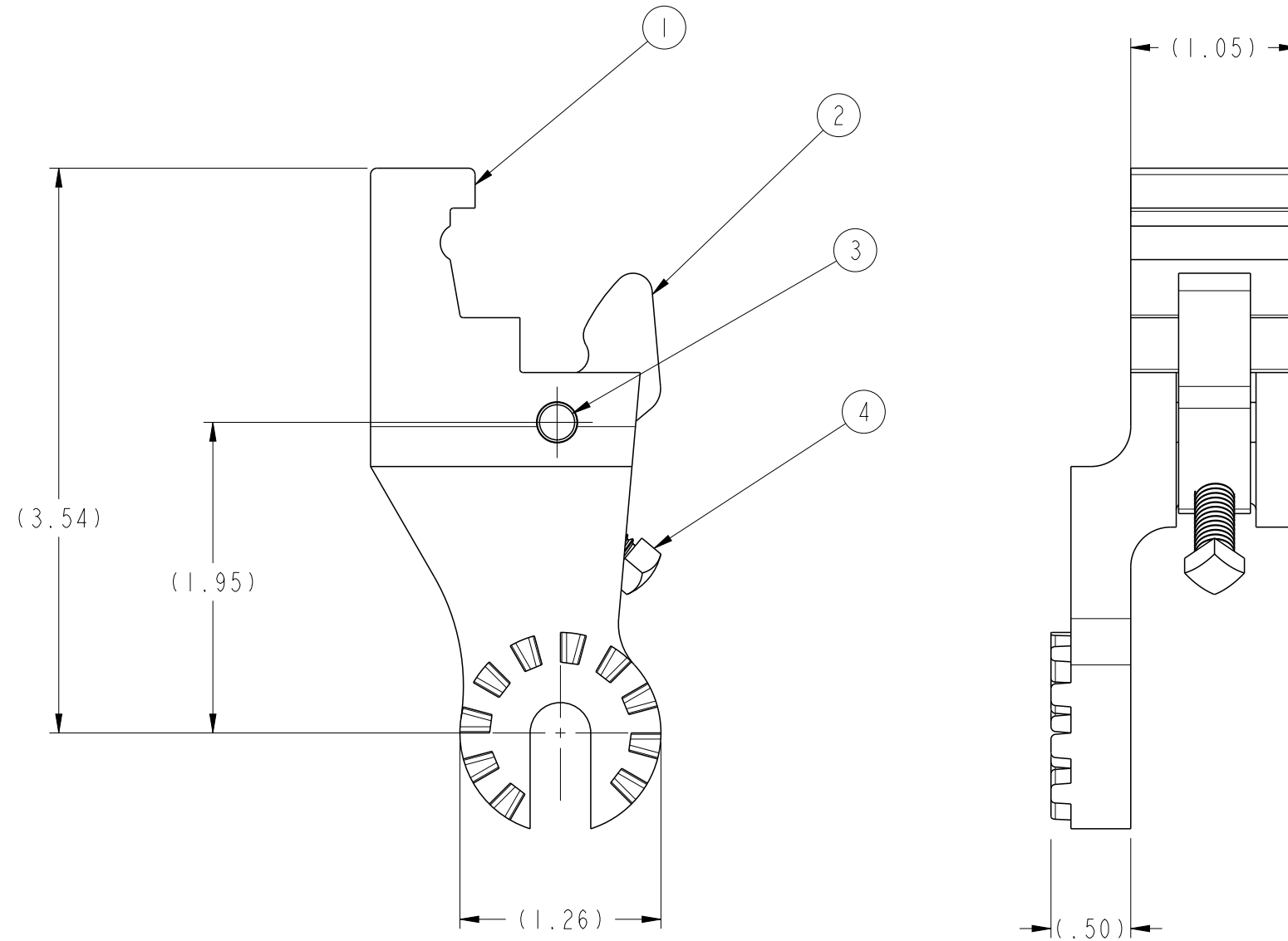


P	LTR	DESCRIPTION	DATE	DWN	APVD
	C	INITIAL REL PER LC20-0052-21	27MAY2021	SM	JO



NOTE:
1. DIMENSIONS ARE FOR REFERENCE ONLY.

306349-2
PART NO.

QTY.	DESCRIPTION	ITEM NO.
1	SCREW	4
1	PIN	3
1	LEVER	2
1	TOOL HOLDER	1

THIS DRAWING IS A CONTROLLED DOCUMENT.		DWN SATYA.M 27MAY2021												
DIMENSIONS: INCHES		CHK J.GUPPY 27MAY2021												
TOLERANCES UNLESS OTHERWISE SPECIFIED:		APVD J.OPEL 27MAY2021												
<table border="0"> <tr> <td>0 PLC</td> <td>±-</td> </tr> <tr> <td>1 PLC</td> <td>±-</td> </tr> <tr> <td>2 PLC</td> <td>±-</td> </tr> <tr> <td>3 PLC</td> <td>±-</td> </tr> <tr> <td>4 PLC</td> <td>±-</td> </tr> <tr> <td>ANGLES</td> <td>±-</td> </tr> </table>		0 PLC			±-	1 PLC	±-	2 PLC	±-	3 PLC	±-	4 PLC	±-	ANGLES
0 PLC	±-													
1 PLC	±-													
2 PLC	±-													
3 PLC	±-													
4 PLC	±-													
ANGLES	±-													
MATERIAL -		FINISH -	NAME TOOL HOLDER SUB-ASSEMBLY											
		WEIGHT -	SIZE A3	CAGE CODE 00779										
		CUSTOMER DRAWING	DRAWING NO 306349-2	RESTRICTED TO -										
			SCALE 1:1	SHEET 1 OF 1										
				REV C										