

THIS DRAWING IS UNPUBLISHED.

RELEASED FOR PUBLICATION

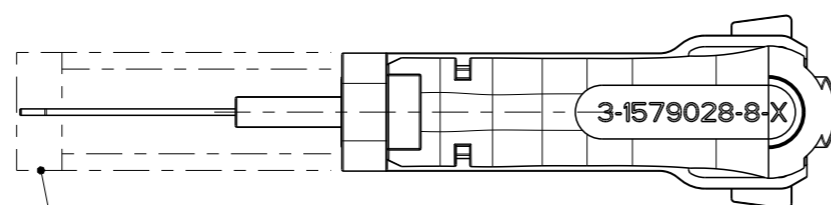
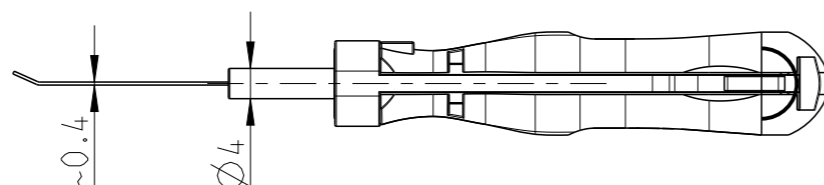
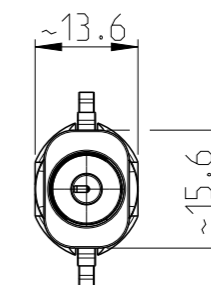
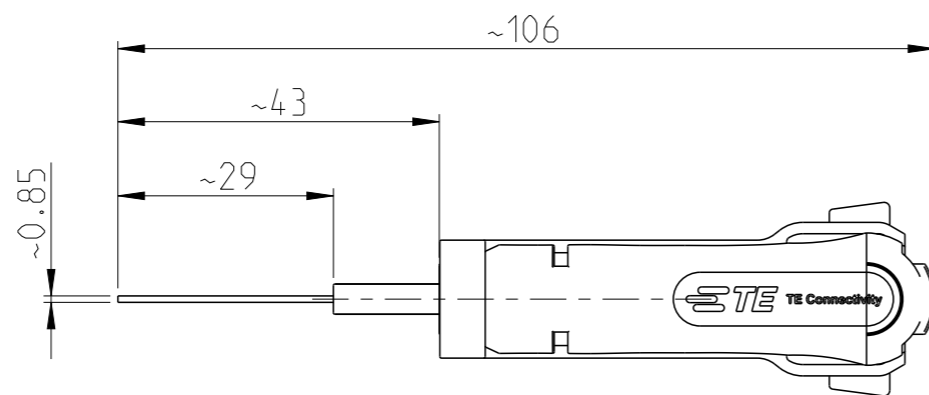
20

© COPYRIGHT 20 BY -

ALL RIGHTS RESERVED.

REVISIONS

P	LTR	DESCRIPTION	DATE	DWN	APVD
	A	Initial release	11FEB2016	RG	GS
	A1	ECR-16-002475	18FEB2016	KH	GR



COVER SLIDE
Schutzschieber

Anwendungsbereich / Application range

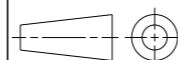
Contact: 2141864, 1718758, 1718760, 1718762
2141868 and 1718756

Housing: P/N 1703494, 1564559, 2141520 and 2141324
1703498 and 1703506

Application-Spec. 114-18910-1

THIS DRAWING IS A CONTROLLED DOCUMENT.

DIMENSIONS:
mm



MATERIAL

TOLERANCES UNLESS OTHERWISE SPECIFIED:

0 PLC	±
1 PLC	±
2 PLC	±
3 PLC	±
4 PLC	±
ANGLES	±1°

FINISH

finish_spec_2

DWN 11FEB2016

R. Germann

CHK 11FEB2016

R. Germann

APVD 11FEB2016

G. Stegmayer

PRODUCT SPEC

-

APPLICATION SPEC

-

WEIGHT

15g

CUSTOMER DRAWING



TE Connectivity

NAME
EXTRACTION TOOL
Entriegelungswerkzeug

SIZE	CAGE CODE	DRAWING NO	RESTRICTED TO
------	-----------	------------	---------------

A3	00779	3-1579028-8	-
----	-------	-------------	---

SCALE	SHEET	OF	REV
5:1	1	1	A1