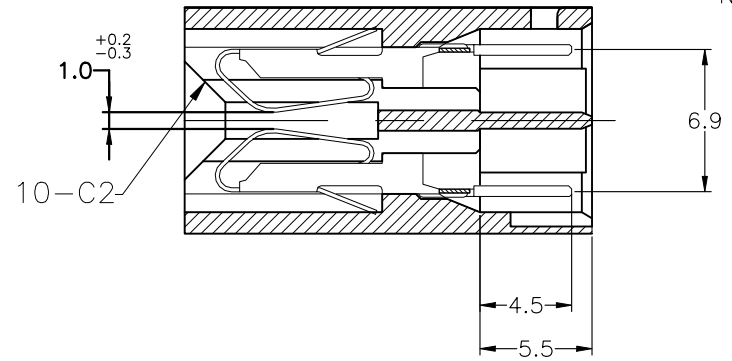
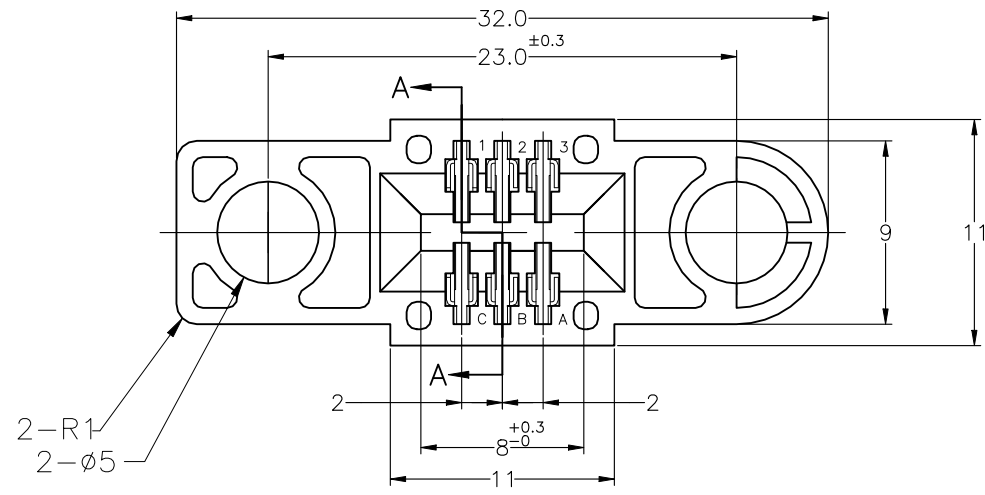
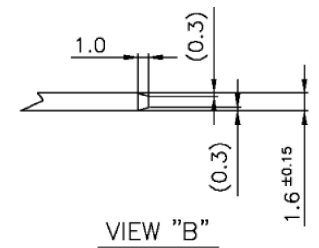
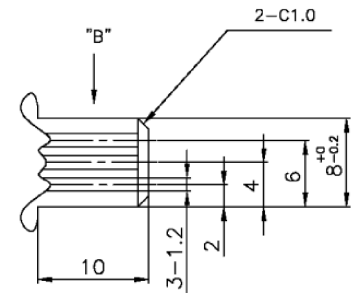
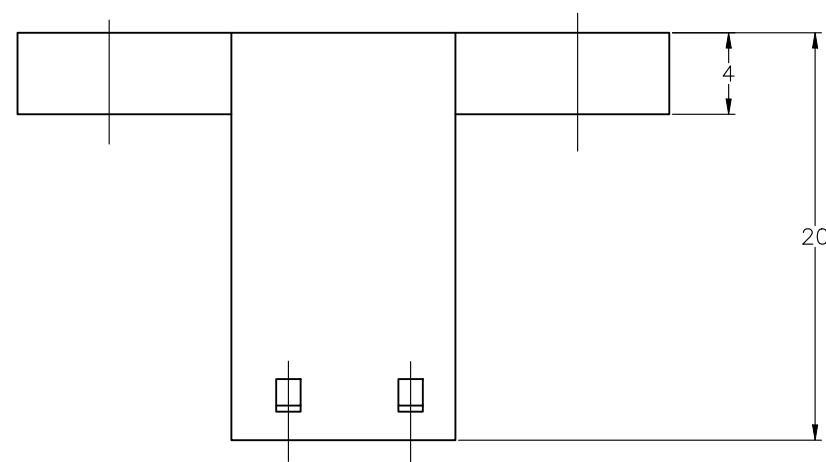


P	LTR	DESCRIPTION	DATE	DWN	APVD
	A2	ECR-22-126608	09FEB2022	T.Q	N.S

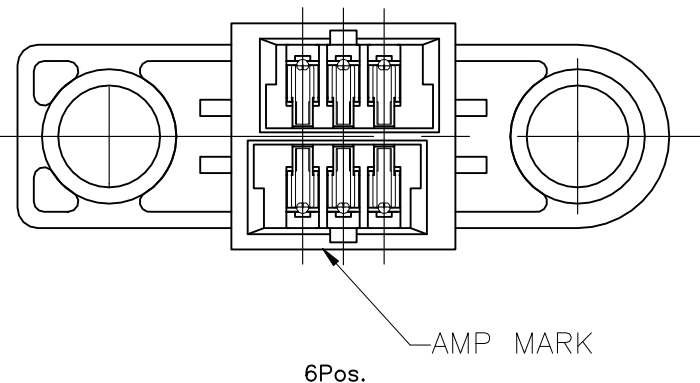


- NOTES:
- MATERIAL: H.S.G:GLASS-FILLED P.B.T COLOR: BLACK  
CONTACT: COPPER ALLOY
  - FINISH: CONTACT: MATTE TIN PLATE UNDER PLATE NICKEL
  - MATING CONN.(WIRE SIDE AWG#26-#28)  
6POS. TYPE 173977-3 OR 175778-3
  - SPEC.: CURRENT RATING 2A MAX./PIM
  - RECOMMENDED MATING P.C.B DIMENSIONS

SECT A-A



VIEW "B"



TOLERANCES UNLESS OTHERWISE SPECIFIED

10 ≥ *	: ±0.2
30 ≥ * > 10	: ±0.2
100 ≥ * > 30	: ±0.2
ANGLE	: ±3°

THIS DRAWING IS A CONTROLLED DOCUMENT.		DWN Tommy Qian 09FEB2022	TE Connectivity														
DIMENSIONS: INCHES		CHK -				NAME 6POS. CT CARD EDGE CONN. L=20mm											
TOLERANCES UNLESS OTHERWISE SPECIFIED:		APVD Niki Shi	PRODUCT SPEC 108-60024														
<table> <tr> <td>0 PLC</td> <td>± -</td> </tr> <tr> <td>1 PLC</td> <td>± -</td> </tr> <tr> <td>2 PLC</td> <td>± -</td> </tr> <tr> <td>3 PLC</td> <td>± -</td> </tr> <tr> <td>4 PLC</td> <td>± -</td> </tr> <tr> <td>ANGLES</td> <td>± -</td> </tr> </table>		0 PLC				± -	1 PLC	± -	2 PLC	± -	3 PLC	± -	4 PLC	± -	ANGLES	± -	PRODUCT SPEC 108-60024
0 PLC	± -																
1 PLC	± -																
2 PLC	± -																
3 PLC	± -																
4 PLC	± -																
ANGLES	± -																
MATERIAL SEE NOTES		FINISH SEE NOTES	WEIGHT 0 CUSTOMER DRAWING SCALE 2:1 SHEET 1 OF 1 REV A2														