

4

3

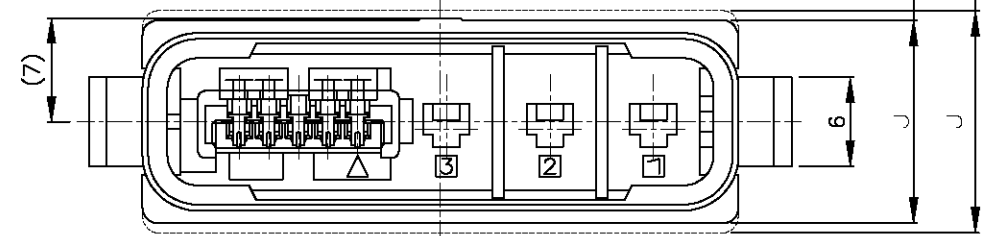
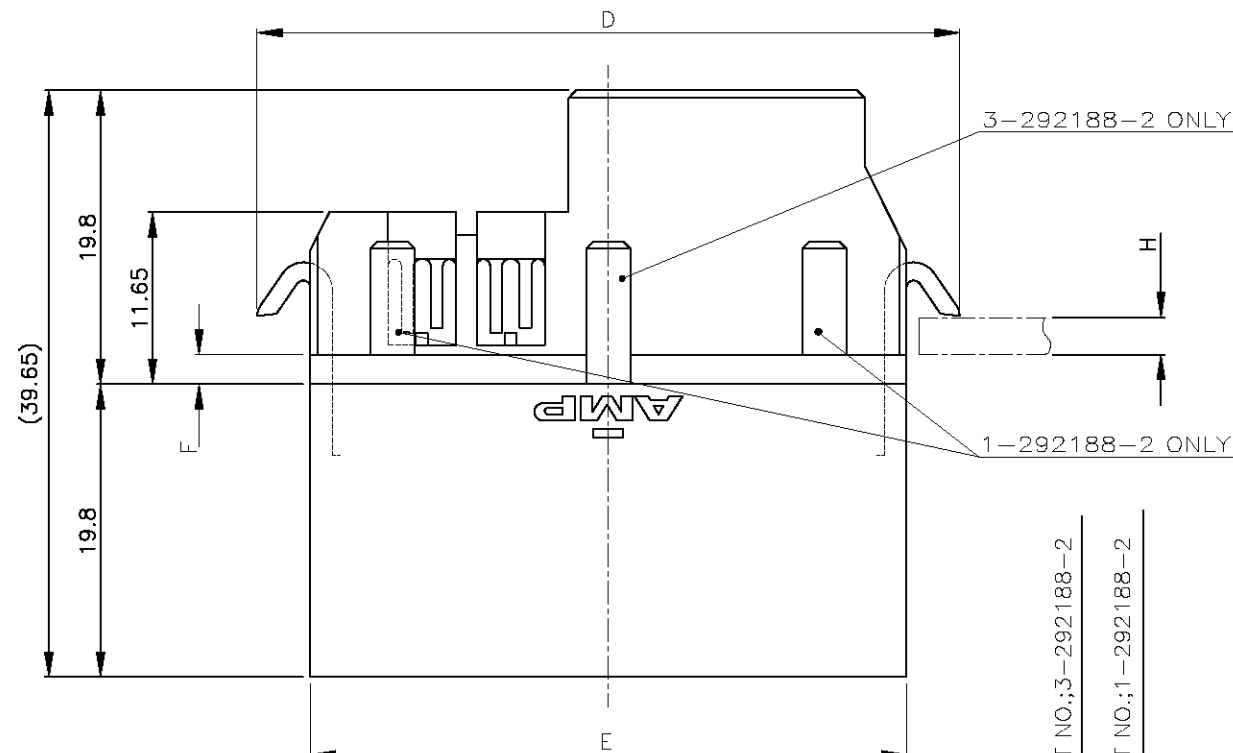
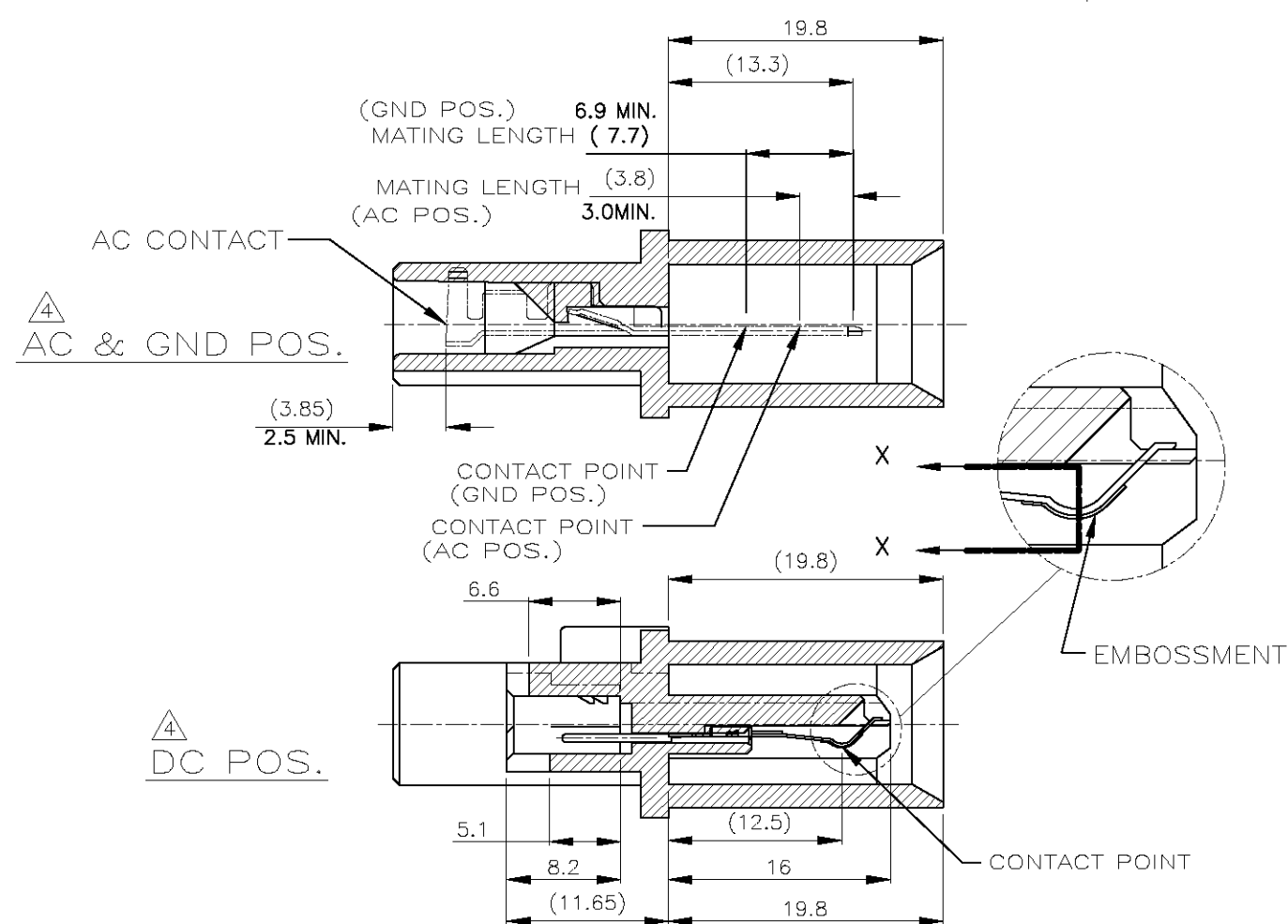
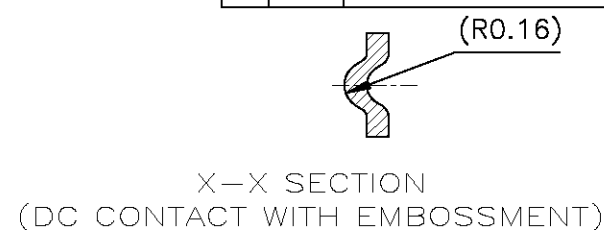
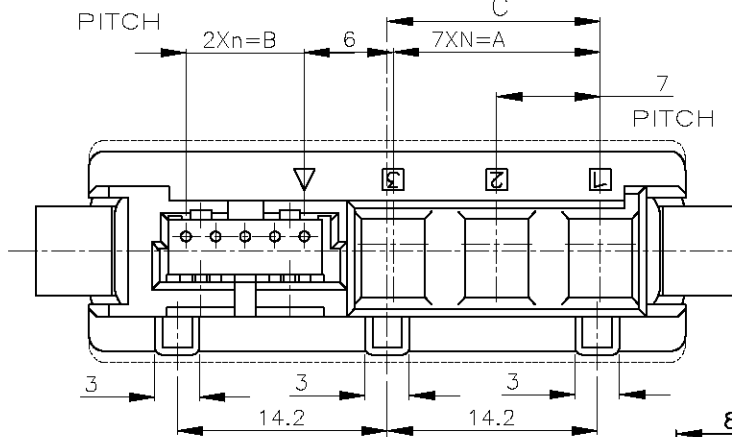
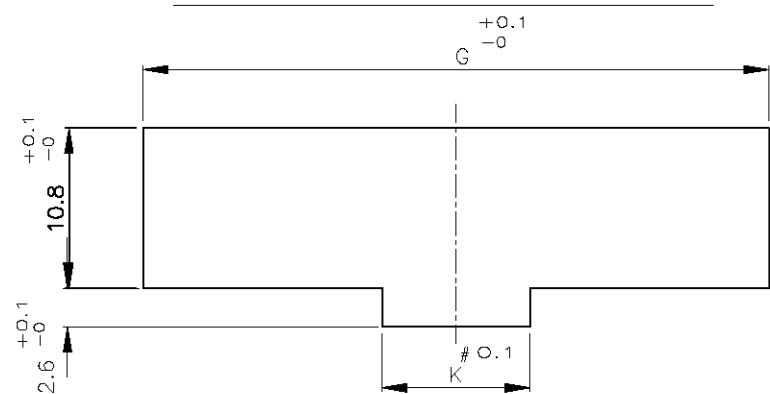
2

1

THIS DRAWING IS UNPUBLISHED. RELEASED FOR PUBLICATION
© COPYRIGHT BY TYCO ELECTRONICS CORPORATION. ALL RIGHTS RESERVED.

LOC	DIST	REVISIONS					
ES	00	P	LTR	DESCRIPTION	DATE	DWN	APVD
		A		REVISED FB00-0217-04	16DEC04	H.H	I.E

PANEL CUT DIMENSIONS



NOTES

- MATERIAL
HOUSING: THERMO PLASTIC (GRAY)
CONTACT: COPPER ALLOY
 - CONTACT FINISH
MATING SIDE: NICKEL PL. ALL OVER GOLD PL.
CT MATING SIDE: NICKEL PL. ALL OVER MATTE TIN PL.
 - APPLIED AC CONTACT P/N
- | FINISH | AWG | P/N |
|---------|--------|------------|
| TIN PL. | #16~20 | 1-179321-2 |
| Au PL. | #16~20 | 179321-3 |
- △ AC: POWER CONTACT (UNLOADED)
DC: SIGNAL CONTACT (PRELOADED)

MT TYPE: 173977-5 CLIMP II TYPE: 178228-5	4-292191-2	2.5 #0.1	10	13.5	49.3	2	47.3	54.5	17.9	8	21	4	3	DC5 AC4	3-292188-2
APPLIED CT CONN P/N	MATING COUNTER P/N	APPLIED PANEL THICKNESS H	K	J	G	F	E	D	C	B	A	n	N	POS	PART NO.

THIS DRAWING IS A CONTROLLED DOCUMENT.

DIMENSIONS: MM	TOLERANCES UNLESS OTHERWISE SPECIFIED:	DWN J.JIANG 05FEB03	<p>Tyco Electronics Corporation Shanghai, P.R.China, 200233</p>
	0 PLC ± -	CHK S.YAO 05FEB03	
	1 PLC ± -	APVD T.SASAKI 05FEB03	
	2 PLC ± -	NAME	

108-60023

HYBRID SF DRAWER CONN. PLUG (REVERSE KEYING TYPE)

SIZE A3	CAGE CODE 00779	DRAWING NO. C-292188	RESTRICTED TO
---------	-----------------	----------------------	---------------

CUSTOMER DRAWING SCALE 2:1 SHEET 1 OF 1 REV A