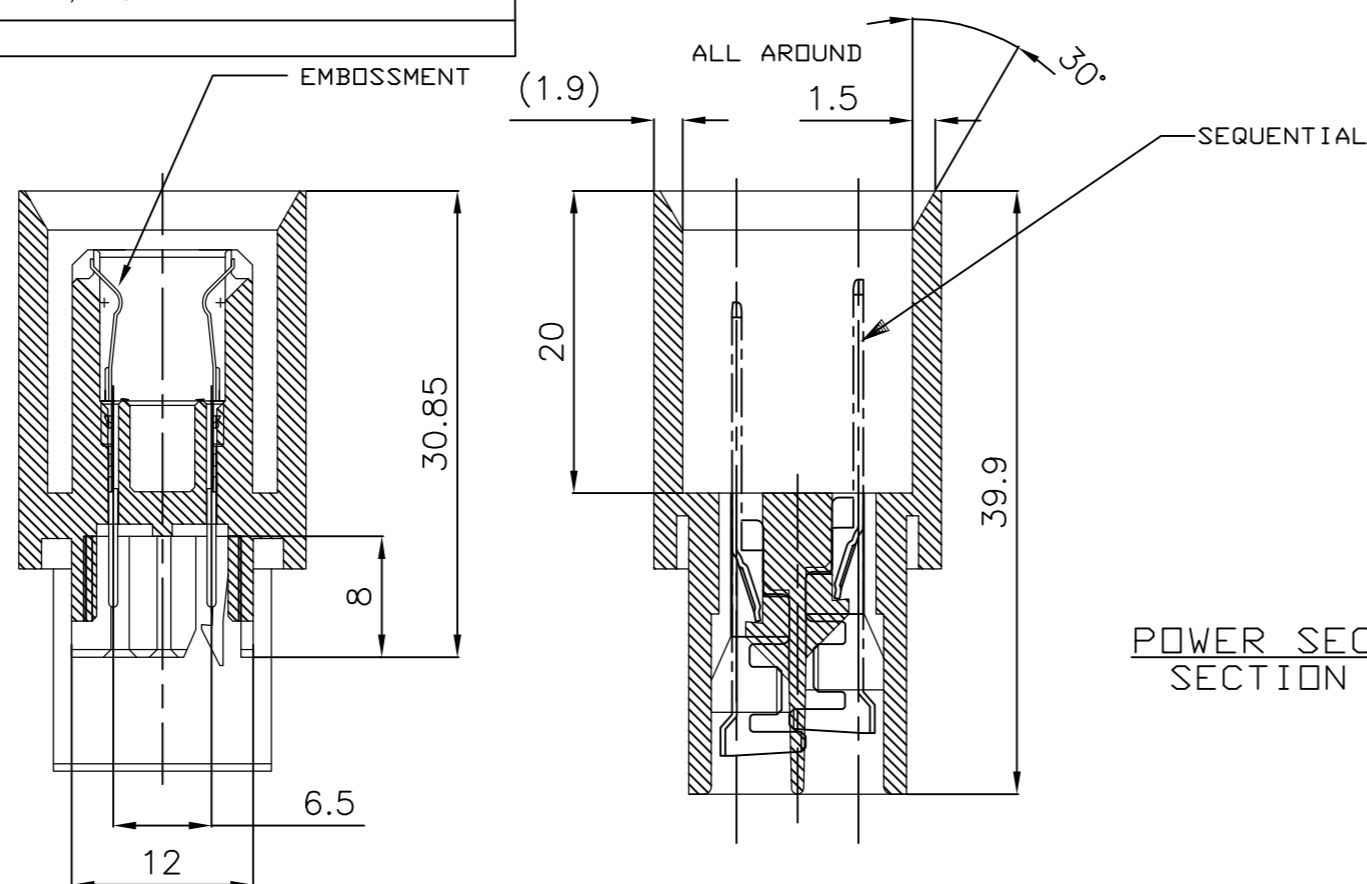


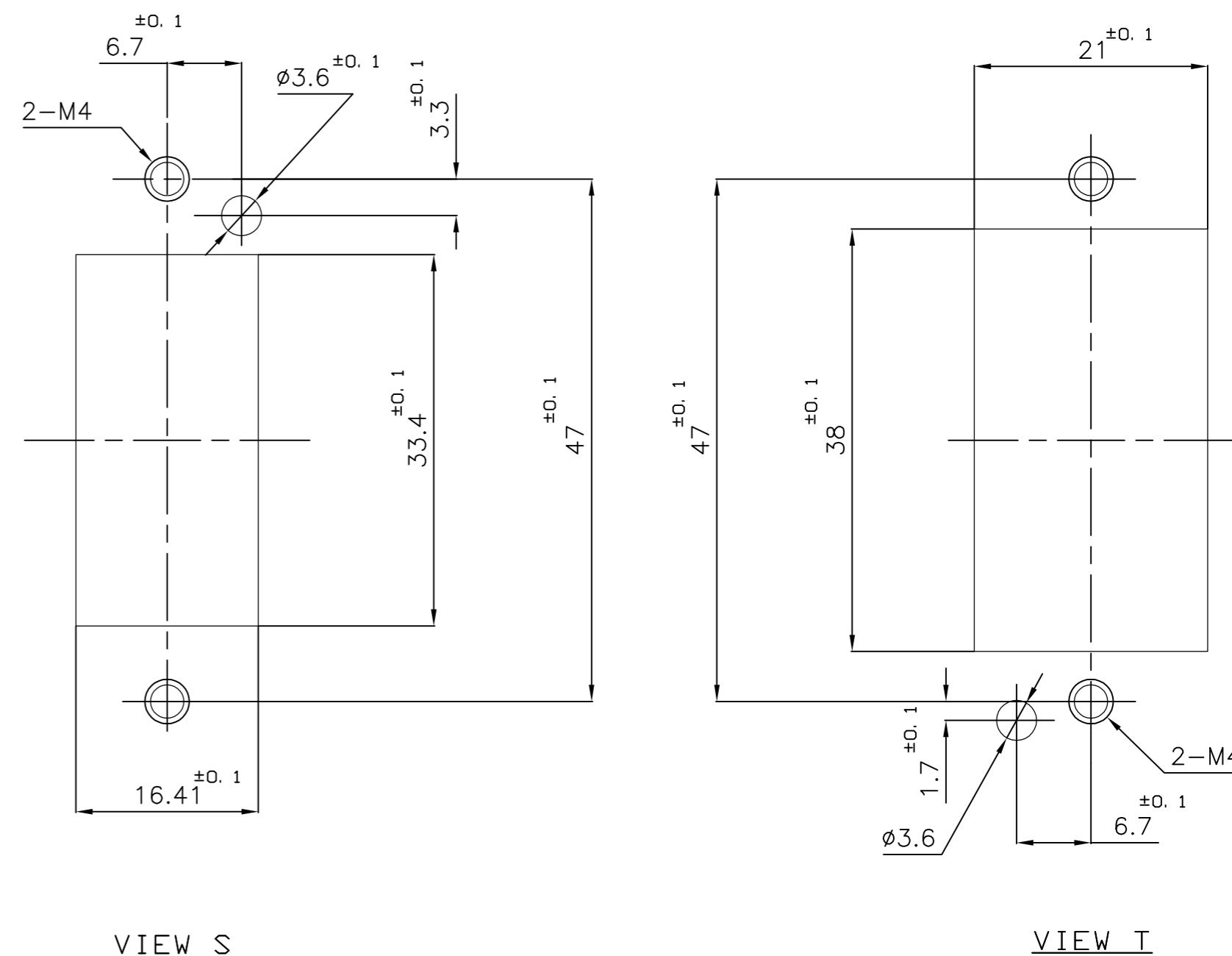
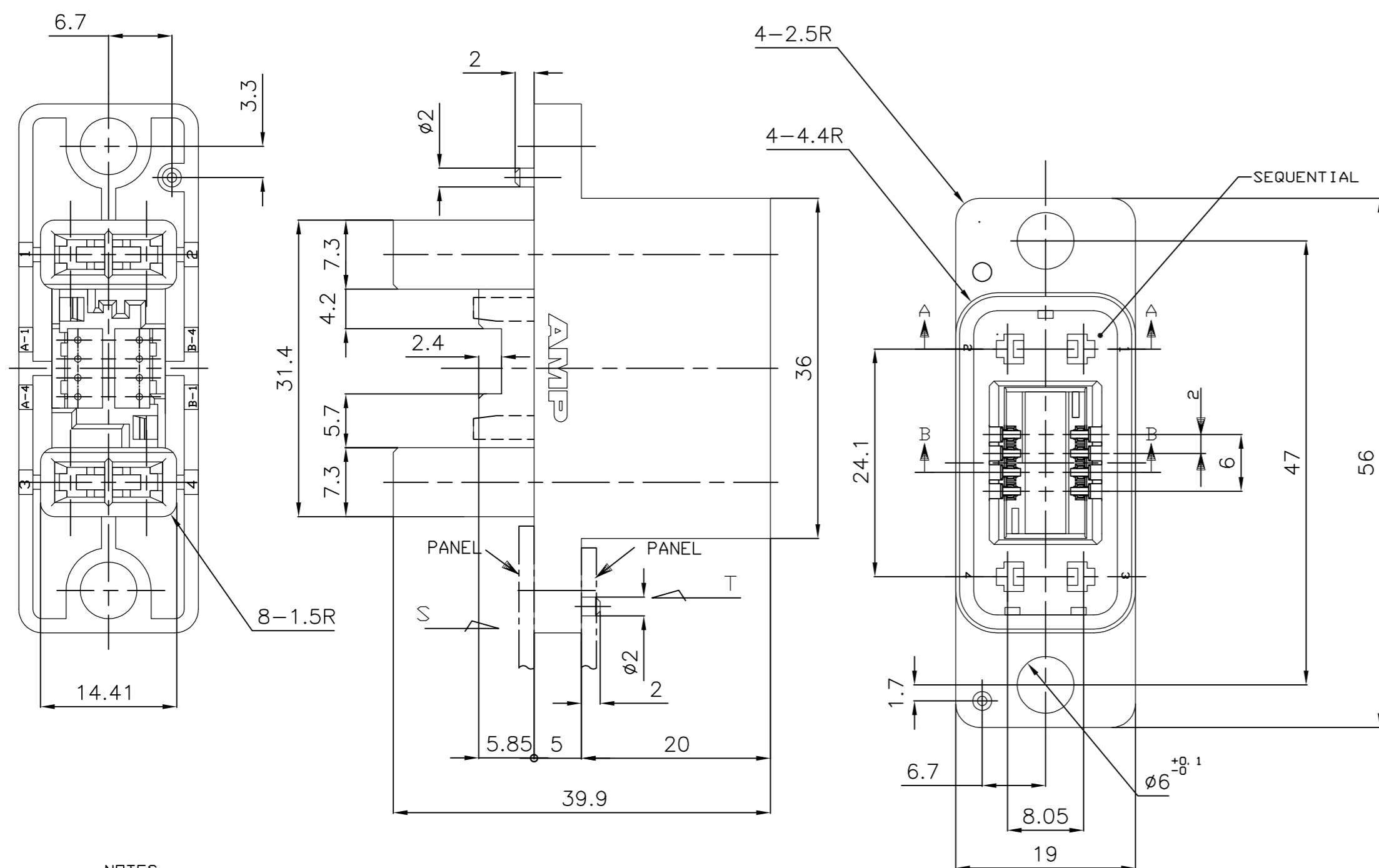
THIS DRAWING IS UNPUBLISHED. RELEASED FOR PUBLICATION
 © COPYRIGHT BY TYCO ELECTRONICS CORPORATION. ALL RIGHTS RESERVED.

LOC		DIST		REVISIONS				
ES	00	P	LTR	DESCRIPTION	DATE	DWN	APVD	
		A		REVISED ECR-17-016956	17NOV17	J.J	W.H	

SIGNAL SECTION
SECTION B-B



PANEL CUT DIMENSIONS



NOTES

- MATERIAL
HOUSING: THERMO PLASTIC
CONTACT: COPPER ALLOY
- CONTACT FINISH
MATING SIDE: NICKEL PL. ALL OVER GOLD PL.
CT MATING SIDE: NICKEL PL. ALL OVER MATTE TIN PL.
- APPLIED POWER CONTACT P/N

FINISH	AWG	STRIP	LOOSE PIECE
GOLD PL.	#16~20	179321-3	
	#20~24	179322-3	
TIN PL.	#16~20	1-179321-2	
	#20~24	1-179322-2	

- △ P: NUMBER OF POWER CONTACT (UNLOADED)
 S: NUMBER OF SIGNAL CONTACT (PRELOADED)

TOLERANCE UNLESS OTHERWISE SPECIFIED	
10>*	:±0.2
30>*>10	:±0.25
100>*>30	:±0.3
ANGLE	:±3'

THIS DRAWING IS A CONTROLLED DOCUMENT.	
DIMENSIONS: MM	TOLERANCES UNLESS OTHERWISE SPECIFIED
0 PLC ±	1 PLC ±
2 PLC ±	3 PLC ±
4 PLC ±	ANGLES ±
MATERIAL SEE NOTE	FINISH SEE NOTE

DWN J.JIANG 05FEB03	tyco Tyco Electronics Corporation	
CHK S.YAO 05FEB03	Shanghai, P.R.China,200233	
APVD T.SASAKI 05FEB03	NAME	
PRODUCT SPEC 108-60022	HYBRID MINI DRAWER CONN. PLUG ASS'Y 4-8(12P) WITH SEQUENTIAL	
APPLICATION SPEC 114-5182	SIZE A2	CAGE CODE 00779
114-5238	DRAWING NO C=292182	RESTRICTED TO
WEIGHT	SCALE NTS	SHEET 1 OF 1
CUSTOMER DRAWING		REV A1