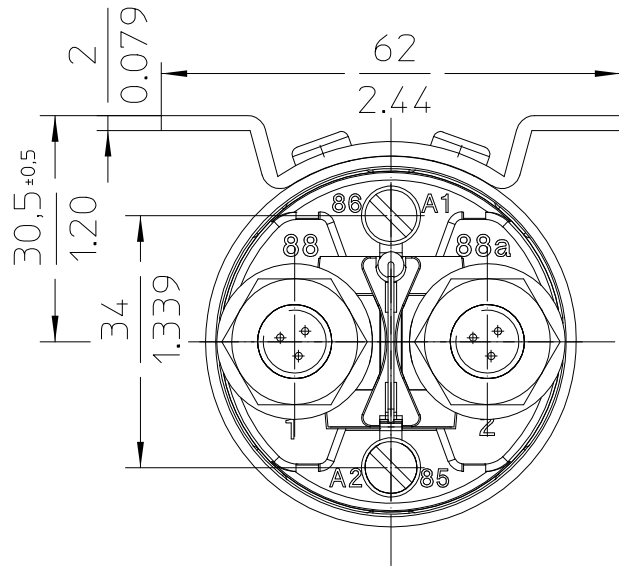
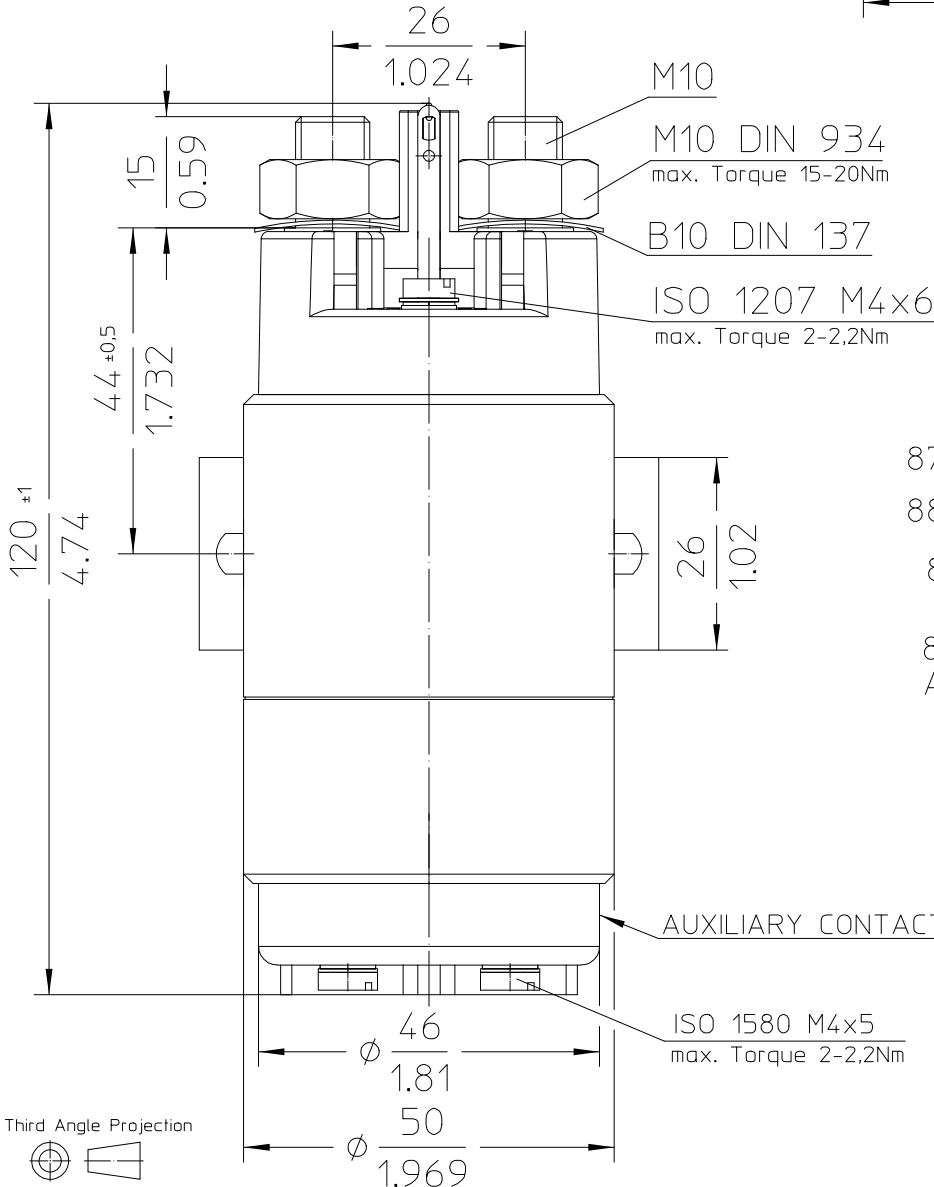
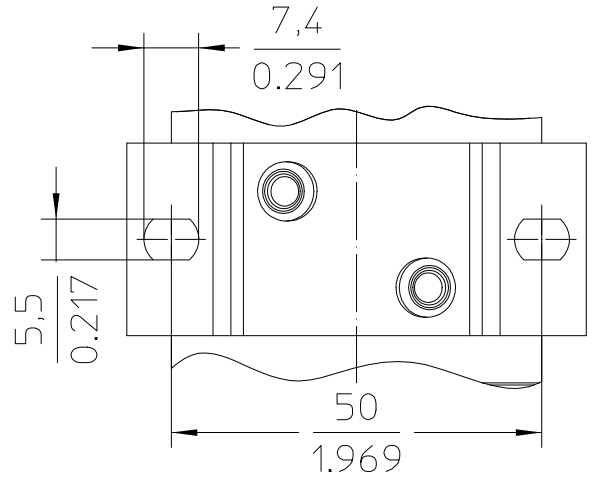


# 300AMP POWER RELAY (12VDC)

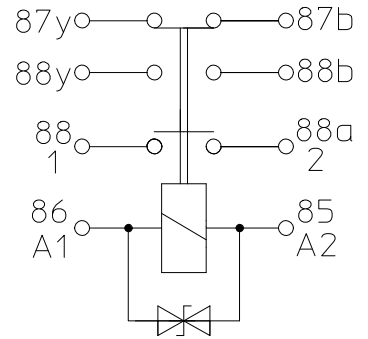
ENVIRONMENTALLY SEALED    STANDARD SIDE MOUNTING    AUXILIARY CONTACT



### MOUNTING DIMENSION



### CIRCUIT



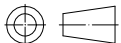
SUPPRESSION DEVICE

AUXILIARY CONTACT

ISO 1580 M4x5  
max. Torque 2-2.2Nm

DIMENSIONAL TOLERANCES  
3 PLACE DECIMAL ±0.010  
2 PLACE DECIMAL ±0.03  
ANGULAR ±0°30'

Third Angle Projection



For this drawing we reserve the copyright in accordance with DIN ISO 16016

	Date	Name
Create	10.10.2005	Hamar
Edited	15.10.2019	Mielk
Check	18.10.2019	Kaise

mm	Scale
inch	1:1
General Tolerances	
DIN ISO 2768 cL	



Drawing No:

29-311-11A

NSN:

