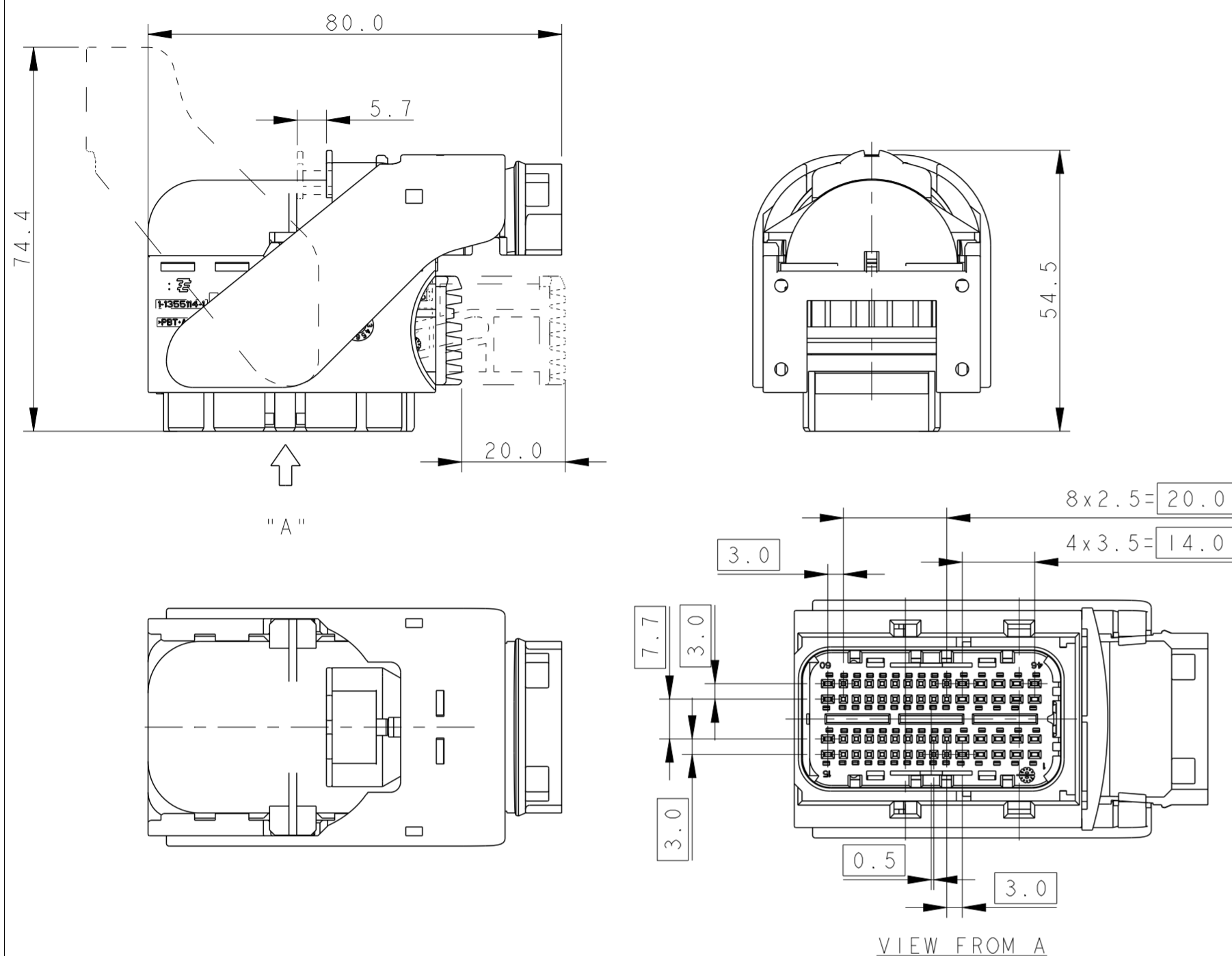
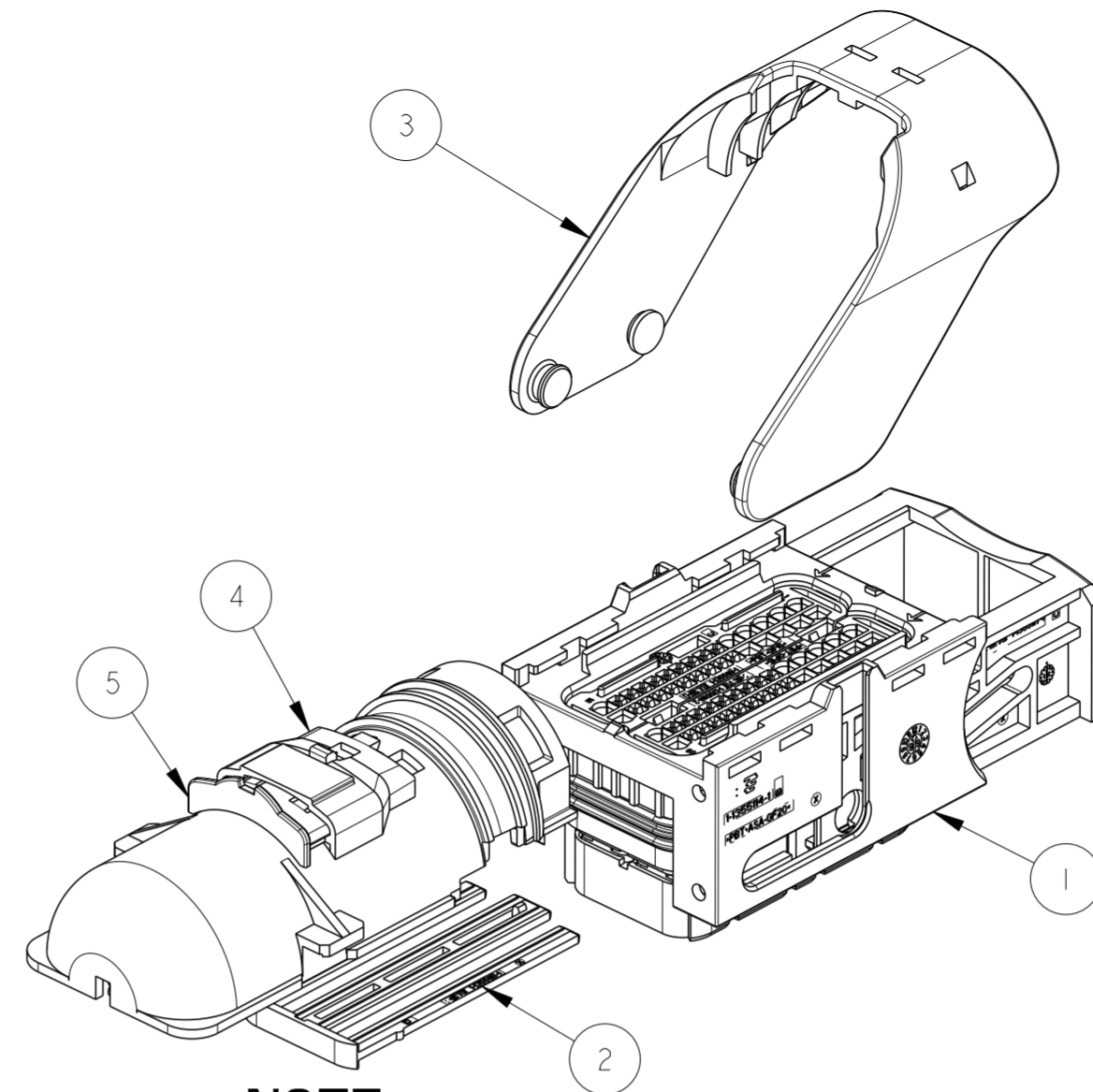
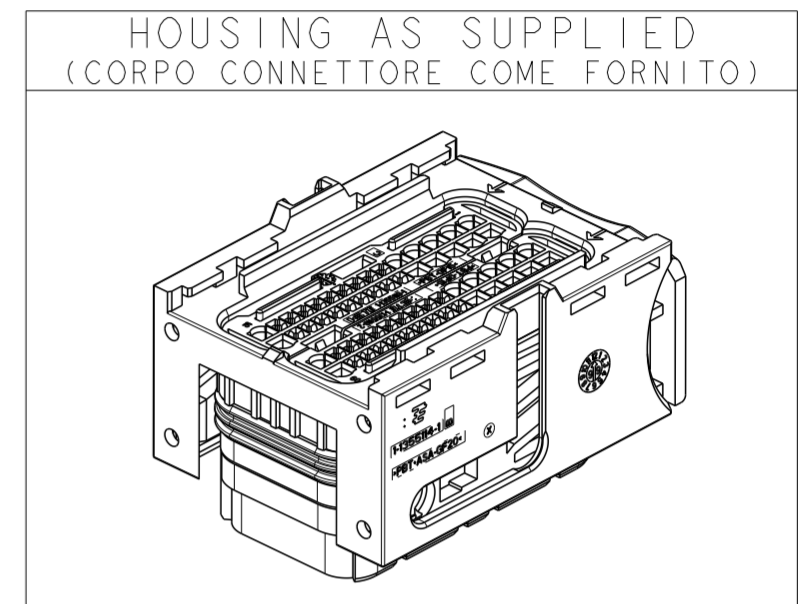


CONNECTOR OVERALL DIMENSIONS WITH COVER KIT AND LEVER ASSEMBLED
(DIMENSIONI DI INGOMBRO CONNETTORE CON KIT COPERCHIO E LEVA MONTATI)



REVISIONS						
P	LTR	REV	DESCRIPTION	DATE	DWN	APVD
			DESCRIZIONE	DATA	DIS.	APP.
	E2		REVISED PER ECO-11-005033	24MAR2011	RK	HMR
	E3		ECR-12-016448	18SEP2012	M.P.	M.G.
	F		ECN-21-126823	17NOV2021	VN	VN
	F1		ECN-22-179551	17OCT2022	V.N.	V.N.

P/N 284742-1 AS SHOWN
FIAT VERSION



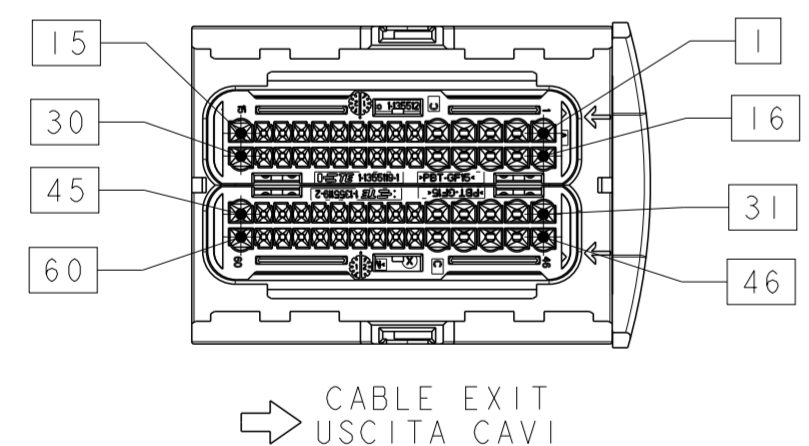
NOTE:

- CONNECTOR IS SUITABLE TO BE MATED WITH COUNTERPART P/N 284617-1
(IL CONNETTORE SI ACCOPPIA CON LA CONTROPARTE P/N 284617-1)
- CONNECTOR CAVITIES ARE SUITABLE FOR CONTACTS:
(LE CAVITA' DEL CONNETTORE SONO ADATTE PER CONTATTI:):
 - 0.64 MQS Clean Body contact WSR 0.35*0.50 mm² P/N 1703296-1 (FIAT restricted version)
(Minimum isolation diameter: 1.2 mm: Maximum isolation diameter: 1.6 mm)
 - 0.64 MQS Clean Body contact WSR 0.35 mm² P/N 968220-1
(Minimum isolation diameter: 1.2 mm: Maximum isolation diameter: 1.3 mm)
 - 0.64 MQS Clean Body contact WSR 0.75 mm² P/N 1703298-1 (FIAT restricted version)
(Minimum isolation diameter: 1.7 mm: Maximum isolation diameter: 1.9 mm)
 - 0.64 MQS Clean Body contact WSR 0.50*0.75 mm² P/N 968221-1
(Minimum isolation diameter: 1.4 mm: Maximum isolation diameter: 1.9 mm)
 - 1.5 mm Clean Body contact WSR 0.50 mm² P/N 1452158-1
(Minimum isolation diameter: 1.4 mm: Maximum isolation diameter: 1.6 mm)
 - 1.5 mm Clean Body contact WSR 0.75*1.50 mm² P/N 1241608-1
(Minimum isolation diameter: 1.7 mm: Maximum isolation diameter: 2.4 mm)
- TO CLOSE UNUSED CAVITIES:
(PER CHIUDERE LE CAVITA' NON UTILIZZATE)
 - P/N 284583-1 for MQS Clean Body contacts
 - P/N 1394872-1 for 1.5 mm Clean Body contact
- ITEMS 2 AND 3 ARE SUPPLIED NOT ASSEMBLED IN THE SAME PACKAGE.
(I PARTICOLARI 2 E 3 SONO FORNITI NON ASSEMBLATI NELLA STESSA CONFEZIONE.)
- ITEMS 4 AND 5 ARE SUPPLIED PRE-ASSEMBLED, IN THE SAME PACKAGE.
(I PARTICOLARI 4 E 5 SONO FORNITI PRE-ASSEMBLATI NELLA STESSA CONFEZIONE)
- ITEMS 4 IS SUPPLIED NOT ASSEMBLED IN THE SAME PACKAGE
ITEM 5 IS NOT SUPPLIED
(L'ITEM 4 E' FORNITO NON ASSEMBLATO NELLA STESSA CONFEZIONE, L'ITEM 5 NON E' FORNITO.)

⚠ OBSOLETE

THIS DRAWING IS A CONTROLLED DOCUMENT.		DWN/DIS. 03OCT01 D. BISETTI	TE Connectivity	NAME CONNECTOR HOUSING, 60 POS. MQS, 1.5mm Clean Body Contacts + COVER AND C.P.A. KIT
DIMENSIONS: DIMENSIONI: (MM)		CHK/CONT 03OCT01 O. CANUTO		
TOLERANCES UNLESS OTHERWISE SPECIFIED: TOLLERANZE: SE NON DIVERSAMENTE SPECIFICATO		APVD/APP 03OCT01 A. GENIA	SIZE	RESTRICTED TO
0 PLC/DEC: ±0.3 1 PLC/DEC: ±0.3 2 PLC/DEC: ±0.3 3 PLC/DEC: ±0.3 4 PLC/DEC: ±0.3 ANGLES/ANGOLI ±30'		PRODUCT SPEC SPEC DI PRODOTTO 108-20235	A20779	-
MATERIAL FINITURA		APPLICATION SPEC SPEC DI APPLICAZIONE I.S. 411-20067	DRAWING NO. NUMERO C-284742	
CUSTOMER DRAWING		DESIGN PER CLIENTE SOLO PER RIFERIMENTO	SCALE SCALA 1:1	SHEET FOLGIO OF DI REV F1

CONTACT INSERT SIDE VIEW
(VISTA LATO INSERIMENTO CONTATTI)



CAVITIES POSITIONS
(POSIZIONE IN CAVITA')

CONTACT P/N (P/N CONTATTO)	POSITION (POSIZIONE)
968220-1 & 968221-1	6 to 14; 21 to 29; 36 to 44; 51 to 59
1452158-1 & 1241608-1	1 to 5; 15 to 20; 30 to 35; 45 to 50; 60

QTY.	QTY.	RAW MATERIALS Materiali	COLOURS Colori	REV	DESCRIPTION Descrizione	ITEM Pos.
-	1	PA6.6 GF30	YELLOW	/	C.P.A. Disp. controllo aggancio leva	5
1	1	PA6.6 GF13	BLACK	/	COVER / Coperchio	4
1	1	PA6.6 GF30	BLACK	/	LEVER / leva	3
1	1	PA6 GF30	VIOLET	/	SECONDARY LOCK 60 POSN. Disp. Ritenz. secondaria, 60 pos.	2
1	1	PBT+ASA-GF20/PA66 GF30 PBT GF15 / PA66 GF25 SILICON	BLACK/LIGHT BROWN:HOUSING YELLOW:PERIPHERAL SEAL RED-BROWN:FAMILY SEAL	/	CARRIER HSG. / Corpo connettore	1
284742-2 (NOTE 6/7)	284742-1 (NOTE 5)	PART-NO. Codice				
F	F	REV				