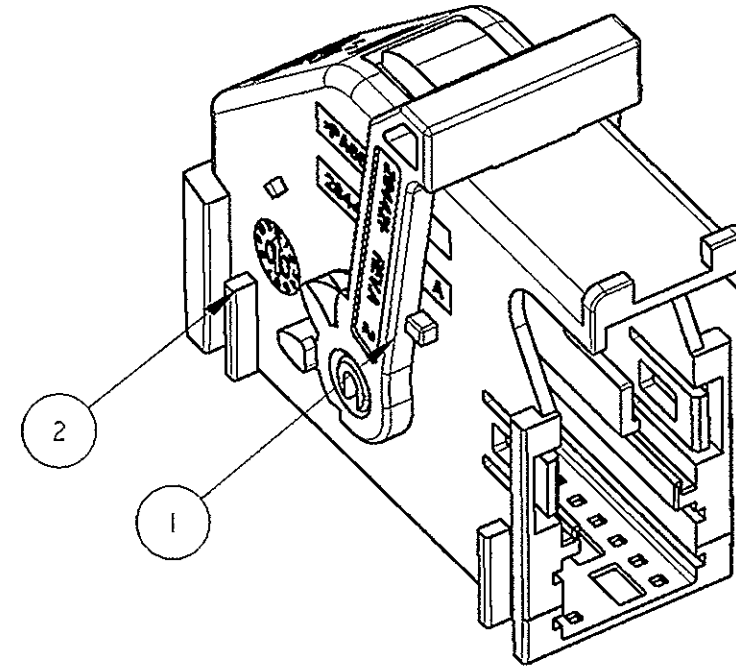
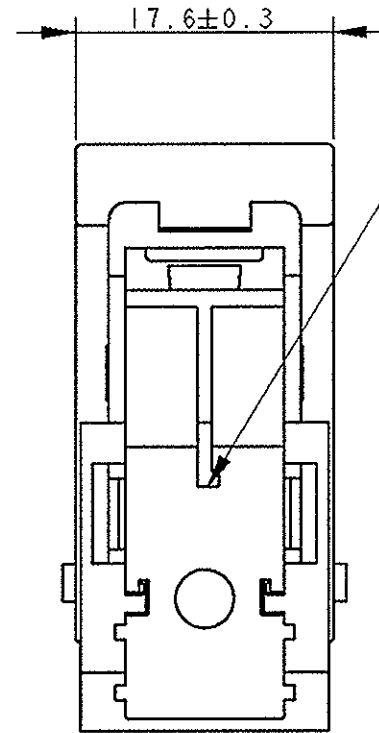
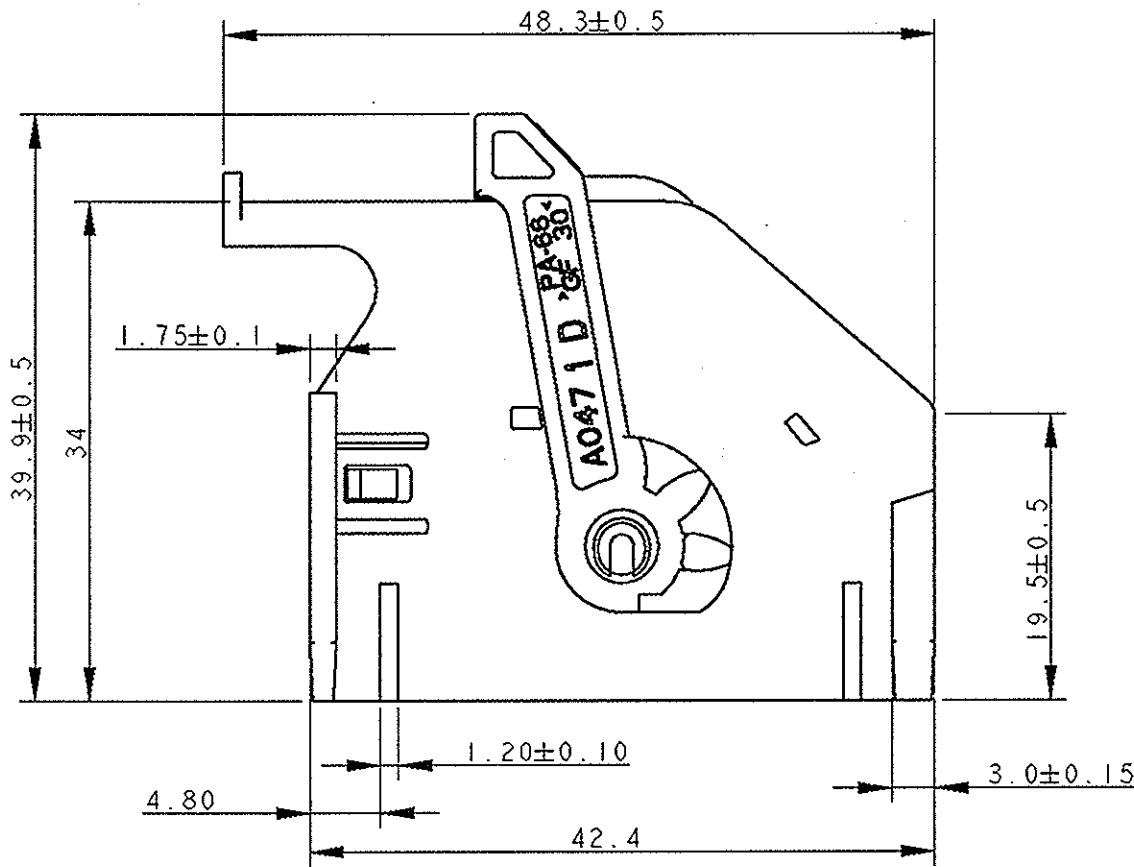
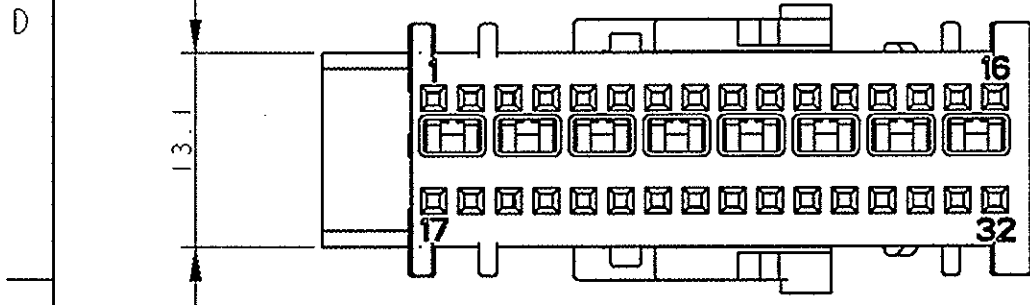


P	LTR	DESCRIPTION	DATE	DWN	APVD
0		PRELIMINARY ISSUE	04MAY2001	M.B.	O.C.
A		FIRST ISSUE (ET00-046-02)	07MAR2002	M.B.	O.C.
AI		RELEASED FOR PRODUCTION (ET00-0235-04)	10DEC2004	M.B.	O.C.

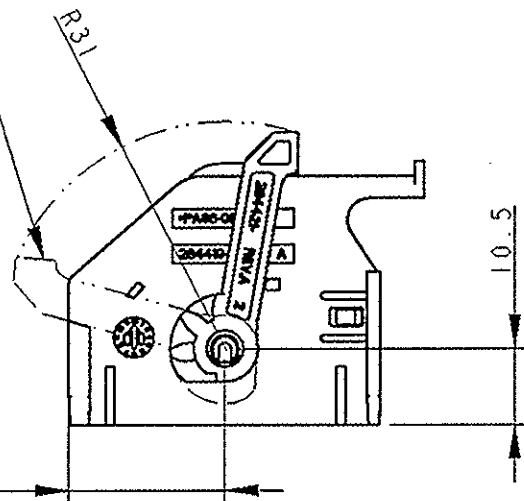
ITEM (VOCE)	DESCRIPTION (DESCRIZIONE)	MATERIAL (MATERIALE)	Q.TY (Q.TA')
1	LEVER (LEVA)	PA 66 GF COLOR GREEN (COLORE VERDE)	1
2	SHELL (CORAZZA)	PA 66 GF COLOR BLACK (COLORE NERO)	1

NOTES (NOTE)

- 1) SLOT SUITABLE FOR HOUSING P/N 284422-1 (CAVITA' ADATTA PER L'HOUSING P/N 284422-1)
- 2) THE PRODUCT IS SUPPLIED WITH LEVER IN CLOSED POSITION (IL PRODOTTO VIENE FORNITO CON LA LEVA IN POSIZIONE CHIUSA)
- 3) PRODUCT SUITABLE FOR PIN HEADER 24+32 POSITIONS, KEY GEOMETRY RA_Ra/RI_Ri, P/N 1355737-... (IL PRODOTTO E' ADATTO PER IL PIN HEADER 24+32, POSITION KEY GEOMETRY RA_Ra/RI_Ri, P/N 1355737-...)



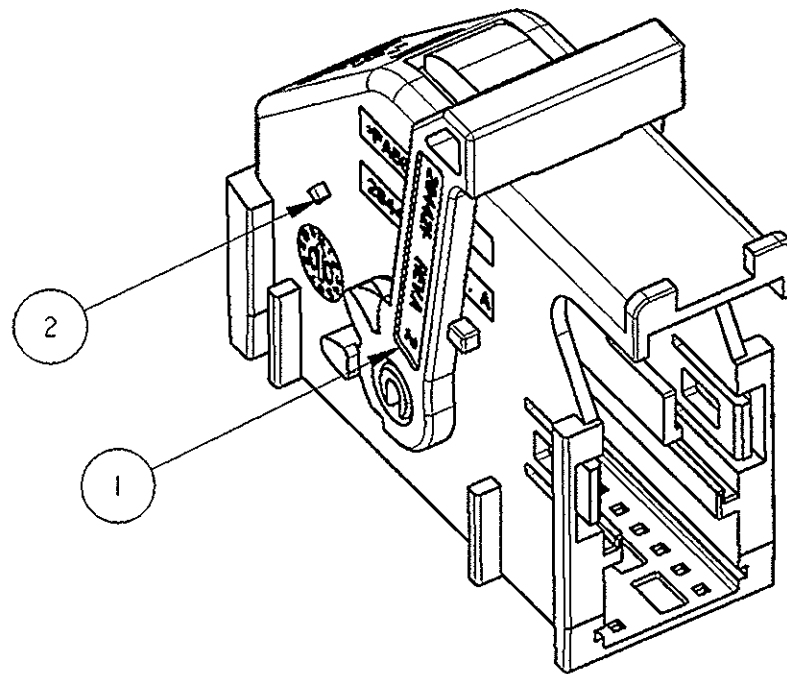
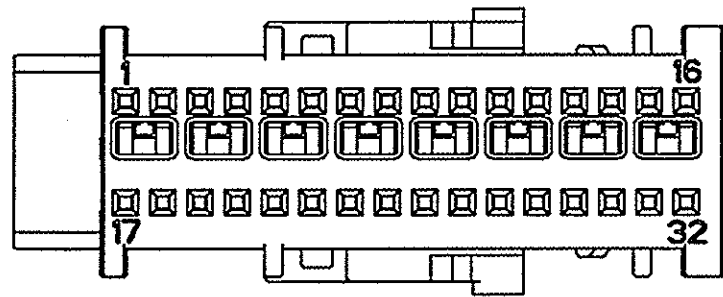
OPENED LEVER (LEVA APERTA)



284715-1 AS SHOWN
(COME MOSTRATO)

<small>THIS DRAWING IS A CONTROLLED DOCUMENT FOR TYCO ELECTRONICS CORPORATION. IT IS SUBJECT TO CHANGE AND THE CONTROLLING ENGINEERING ORGANIZATION SHOULD BE CONTACTED FOR THE LATEST REVISION.</small>		DWN M. BARBERIS 04MAY2001 CHK O. CANUTO 04MAY2001 APVD A. GENTA PRODUCT SPEC APPLICATION SPEC WEIGHT - CUSTOMER DRAWING	tyco Electronics tyco Electronics AMP Italia S.p.A. C.so F.lli Cervi, 15 Collegno (TO)
DIMENSIONS: mm 	TOLERANCES UNLESS OTHERWISE SPECIFIED: 0 PLC ±0.3 1 PLC ±0.2 2 PLC ±0.1 3 PLC ± 4 PLC ± ANGLES ±1°	NAME 32 POSITIONS AIRBAG SHELL WITH LEVER ASS'Y	RESTRICTED TO
MATERIAL SEE TABLE (VEDI TABELLA) FINISH SEE TABLE (VEDI TABELLA)	SCALE 2:1	SIZE A3 CAGE CODE 00779 DRAWING NO C-284715	SHEET 1 OF 3 REV AI

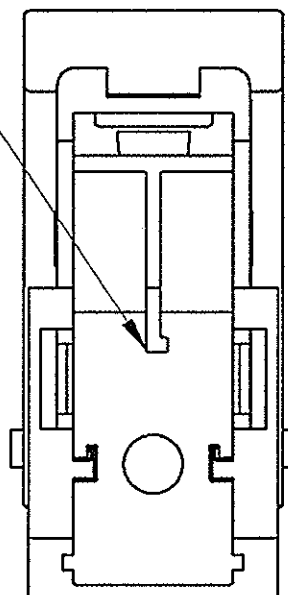
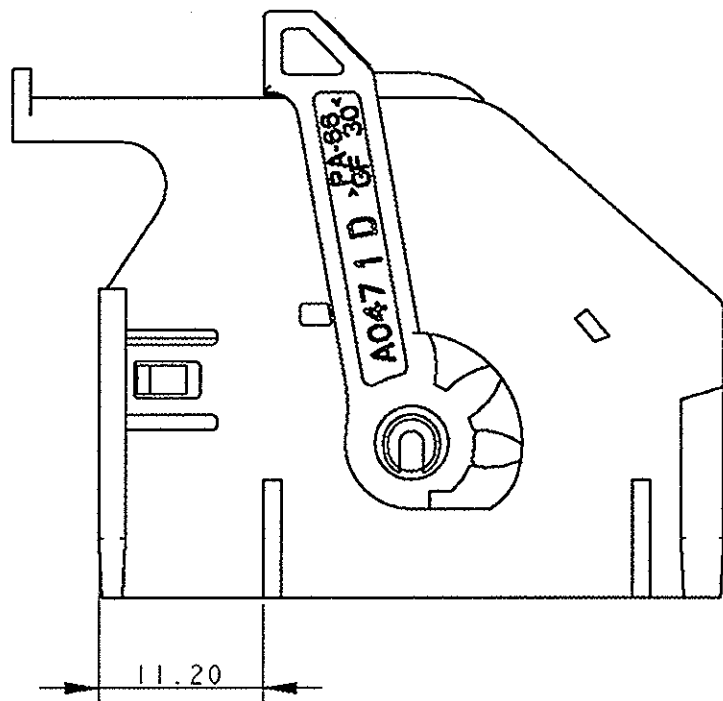
P	LTR	DESCRIPTION	DATE	DWN	APVD
		SEE SHEET 1 (VEDI FOGLIO 1)			



ITEM (VOCE)	DESCRIPTION (DESCRIZIONE)	MATERIAL (MATERIALE)	Q. TY (Q. TA)
1	LEVER (LEVA)	PA 66 GF COLOR GREEN (COLORE VERDE)	1
2	SHELL (CORAZZA)	PA 66 GF COLOR BLUE (COLORE BLU)	1

NOTES (NOTE)

- 1) SLOT SUITABLE FOR HOUSING P/N 284422-3 (CAVITA' ADATTA PER L'HOUSING P/N 284422-3)
- 2) FOR MISSING NOTES AND DIMENSIONS SEE P/N 284715-1, SHEET 1 OF 3 (PER LE NOTE E LE QUOTE MANCANTI VEDERE P/N 284715-1, FOGLIO 1 DI 3)
- 3) PRODUCT SUITABLE FOR PIN HEADER 24+32 POSITIONS, KEY GEOMETRY RE_Re/RI_Ri, P/N 1355737-... (IL PRODOTTO E' ADATTO PER IL PIN HEADER 24+32, POSITION KEY GEOMETRY RE_Re/RI_Ri, P/N 1355737-...)



284715-3 AS SHOWN (COME MOSTRATO)

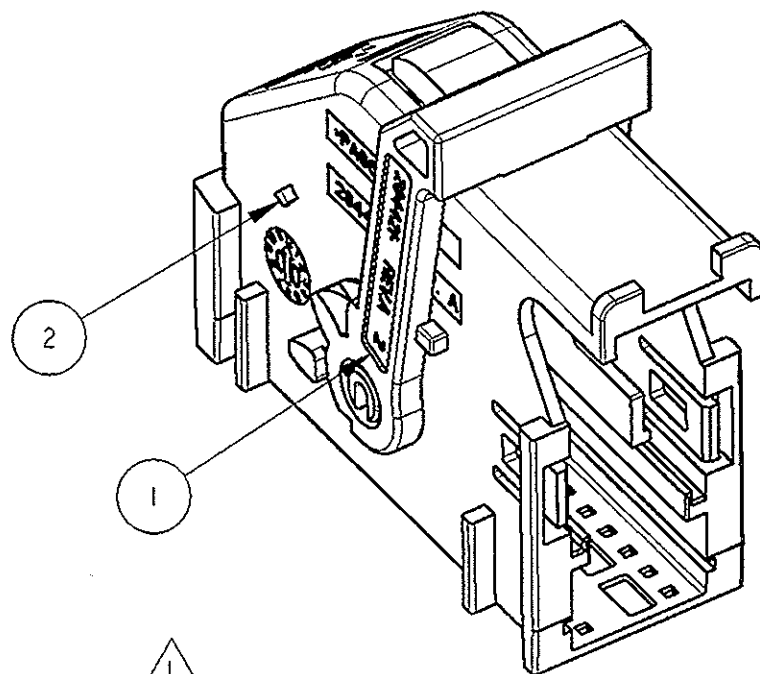
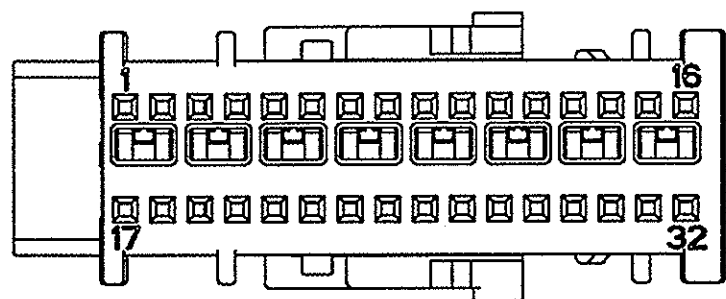
THIS DRAWING IS A CONTROLLED DOCUMENT FOR TYCO ELECTRONICS CORPORATION IT IS SUBJECT TO CHANGE AND THE CONTROLLING ENGINEERING ORGANIZATION SHOULD BE CONTACTED FOR THE LATEST REVISION.

DIMENSIONS:	TOLERANCES UNLESS OTHERWISE SPECIFIED:
mm	
	0 PLC ±0.3
	1 PLC ±0.2
	2 PLC ±0.1
	3 PLC ±
	4 PLC ±
	ANGLES ±1°

MATERIAL SEE TABLE (VEDI TABELLA) FINISH SEE TABLE (VEDI TABELLA)

DWN	04MAY2001		tyco Electronics AMP Italia S.p.A.	
CHK	M. BARBERIS		C.so F.lli Cervi, 15 Collegno (TO)	
APVD	04MAY2001	NAME	32 POSITIONS AIRBAG SHELL WITH LEVER ASS'Y	
PRODUCT SPEC	A. GENTA	SIZE	CAGE CODE	DRAWING NO
APPLICATION SPEC	-	A3	00779	C=284715
WEIGHT	-	CUSTOMER DRAWING	SCALE	SHEET
			2:1	2 OF 3
				REV A1

LOC	DIST	REVISIONS			
P	LTR	DESCRIPTION	DATE	DWN	APVD
1	-	SEE SHEET 1 (VEDI FOGLIO 1)			

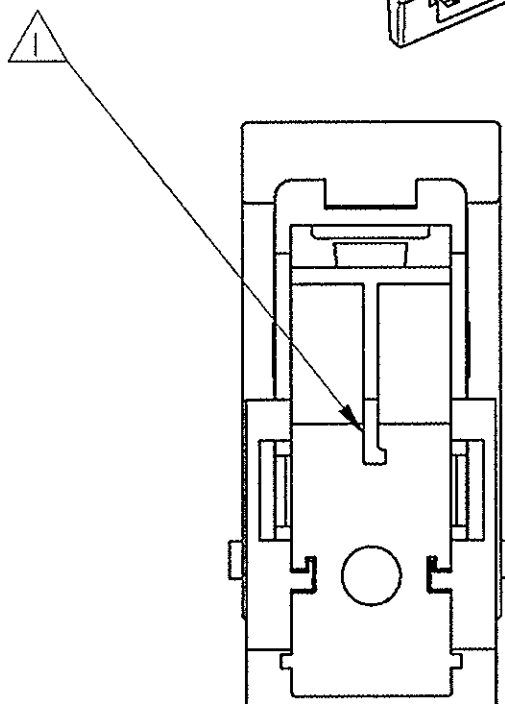
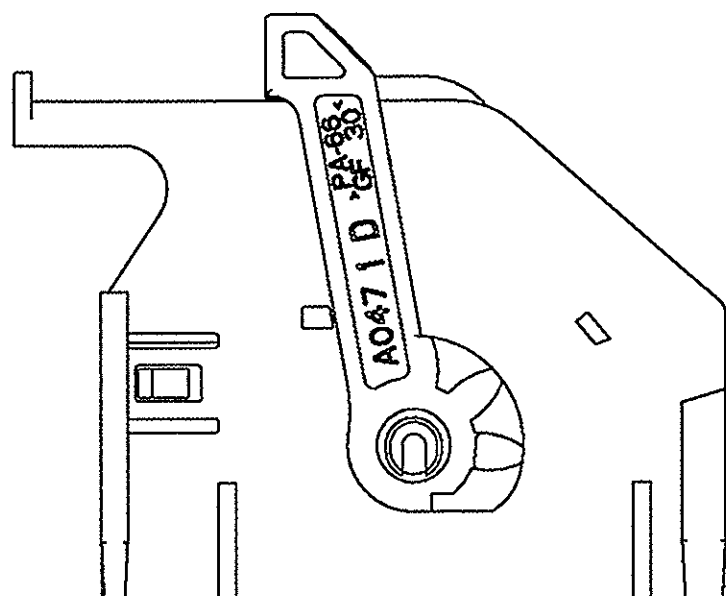


NOTES
(NOTE)

1) SLOT SUITABLE FOR HOUSING P/N 284422-2
 (CAVITA' ADATTA PER L'HOUSING P/N 284422-2)

2) FOR MISSING NOTES AND DIMENSIONS SEE
 P/N 284715-1, SHEET 1 OF 3
 (PER LE NOTE E LE QUOTE MANCANTI VEDERE
 P/N 284715-1, FOGLIO 1 DI 3)

3) PRODUCT SUITABLE FOR PIN HEADER 24+32 POSITIONS,
 KEY GEOMETRY RC_Rc/RI_RI, P/N 1355737-...
 (IL PRODOTTO E' ADATTO PER IL PIN HEADER 24+32,
 POSITION KEY GEOMETRY RC_Rc/RI_RI, P/N 1355737-...)



ITEM (VOCE)	DESCRIPTION (DESCRIZIONE)	MATERIAL (MATERIALE)	Q.TY (Q.TA')
1	LEVER (LEVA)	PA 66 GF COLOR GREEN (COLORE VERDE)	1
2	SHELL (CORAZZA)	PA 66 GF COLOR GRAY (COLORE GRIGIO)	1

284715-2 AS SHOWN
 COME MOSTRATO

<small>THIS DRAWING IS A CONTROLLED DOCUMENT FOR TYCO ELECTRONICS CORPORATION IT IS SUBJECT TO CHANGE AND THE CONTROLLING ENGINEERING ORGANIZATION SHOULD BE CONTACTED FOR THE LATEST REVISION.</small>		DWN 04MAY2001 M. BARBERIS CHK 04MAY2001 O. CANUTO APVD - A. GENTA PRODUCT SPEC - APPLICATION SPEC - WEIGHT -	tyco Electronics tyco Electronics AMP Italia S.p.A. C.so F.lli Cervi, 15 Collegno (TO)
DIMENSIONS: mm 	TOLERANCES UNLESS OTHERWISE SPECIFIED: 0 PLC ±0.3 1 PLC ±0.2 2 PLC ±0.1 3 PLC ± 4 PLC ± ANGLES ±1°	NAME 32 POSITIONS AIRBAG SHELL WITH LEVER ASS'Y	
MATERIAL SEE TABLE (VEDI TABELLA)	FINISH SEE TABLE (VEDI TABELLA)	SIZE A3 CAGE CODE 00779 DRAWING NO C=284715	RESTRICTED TO -
CUSTOMER DRAWING		SCALE 2:1	SHEET 3 OF 3 REV A1