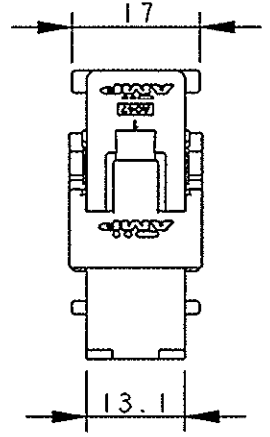
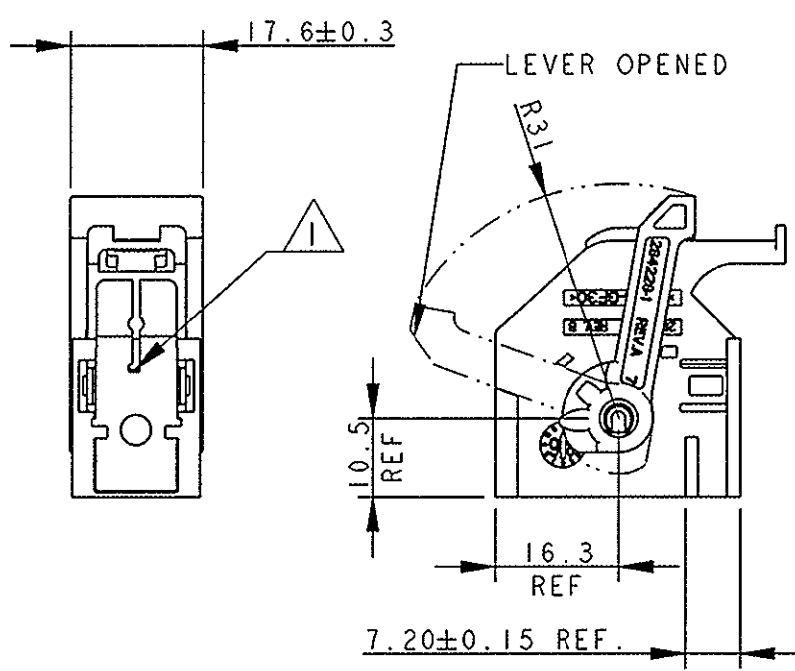
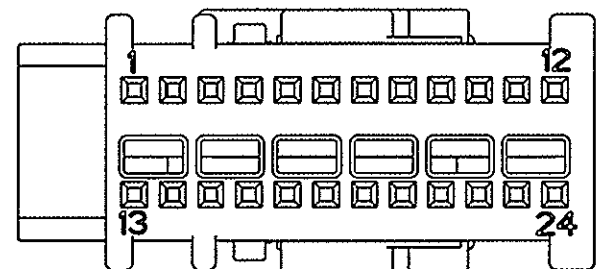
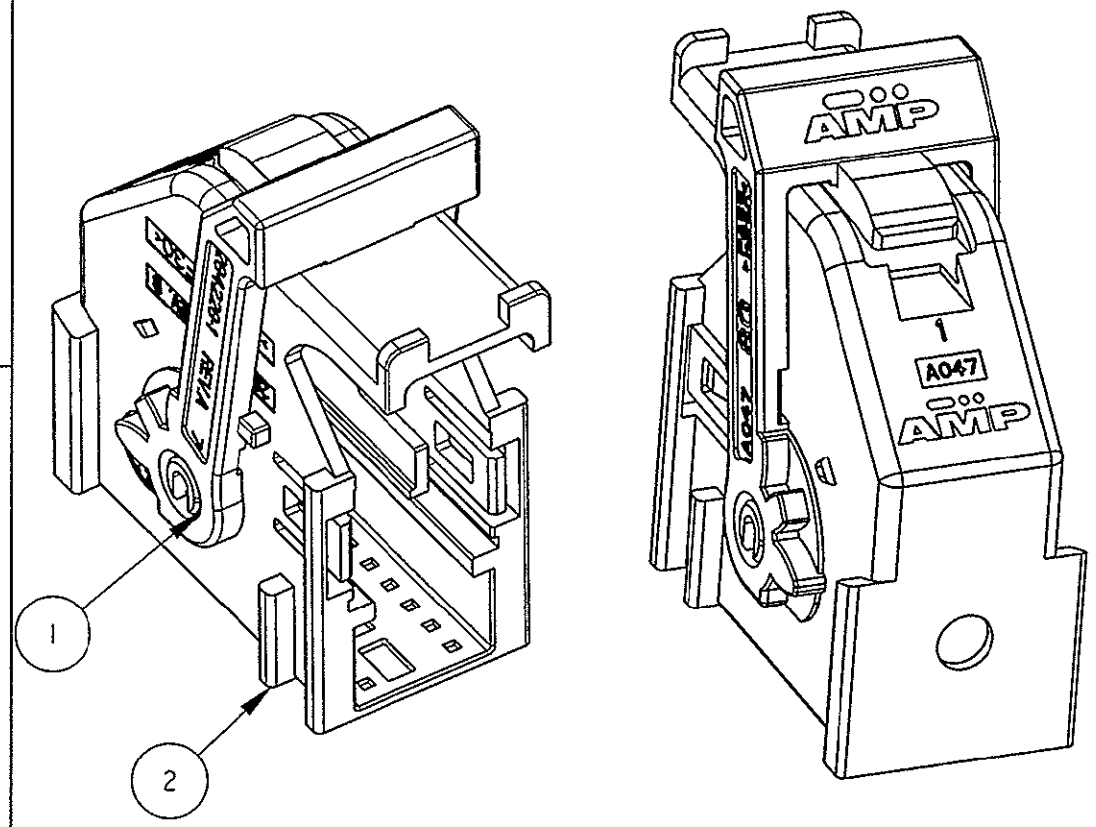


LOC	DIST
1	-

REVISIONS					
P	LTR	DESCRIPTION	DATE	OWN	APVD
0		PRELIMINARY ISSUE	03MAY2001	M.B.	O.C.
A		FIRST ISSUE (ET00-0117-02)	21JUN2002	M.B.	O.C.
B		MODIFIED SHELL SLOT SHAPE AND RELEASED FOR PRODUCTION (ET00-0099-04)	20JUL2004		

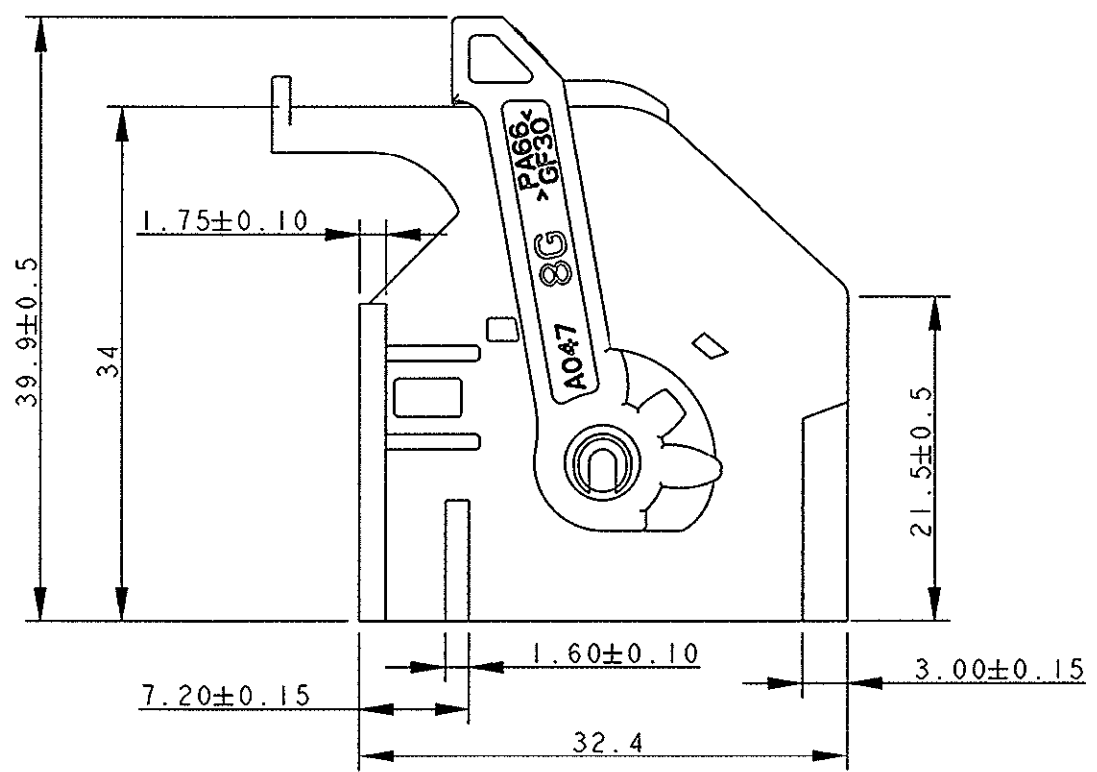


SCALE 1:1

- NOTES (NOTE)
- 1) SLOT SUITABLE FOR HOUSING P/N 284224-2 (CAVITA' ADATTA PER L'HOUSING P/N 284224-2)
 - 2) THE PRODUCT IS SUPPLIED WITH LEVER IN CLOSED POSITION (IL PRODOTTO VIENE FORNITO CON LA LEVA IN POSIZIONE CHIUSA)
 - 3) PRODUCT SUITABLE FOR PIN HEADER 24+24 POSITIONS CODE TYPE A, P/N 953621-... OR PIN HEADER 24+32 POSITIONS KEY GEOMETRY AA_Aα, P/N 1355737-... (IL PRODOTTO E' ADATTO PER IL PIN HEADER 24+24 POSITION CODE TYPE A, P/N 953621-... O PER IL PIN HEADER 24+32 POSITION KEY GEOMETRY AA_Aα, P/N 1355737-...)
 - 4) FOR PROPER MATING WITH PIN HEADER 24+24 POSITION SEE INSTRUCTION SHEET N. 411-20054 (PER UN CORRETTO ACCOPPIAMENTO CON IL PIN HEADER 24+24 POSITION VEDERE FOGLIO ISTRUZIONI N. 411-20054)

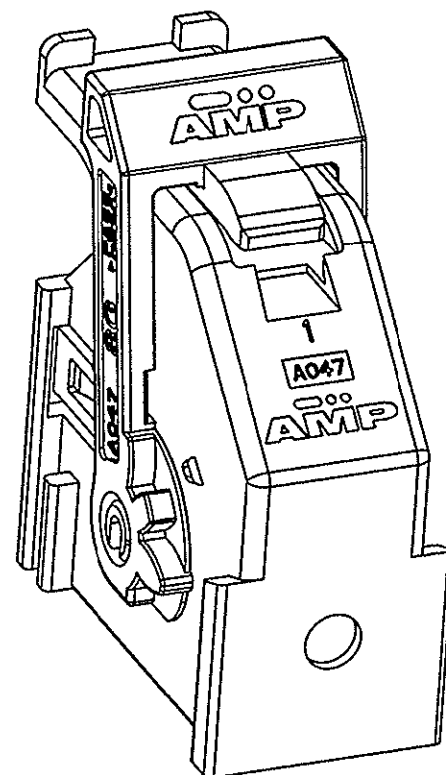
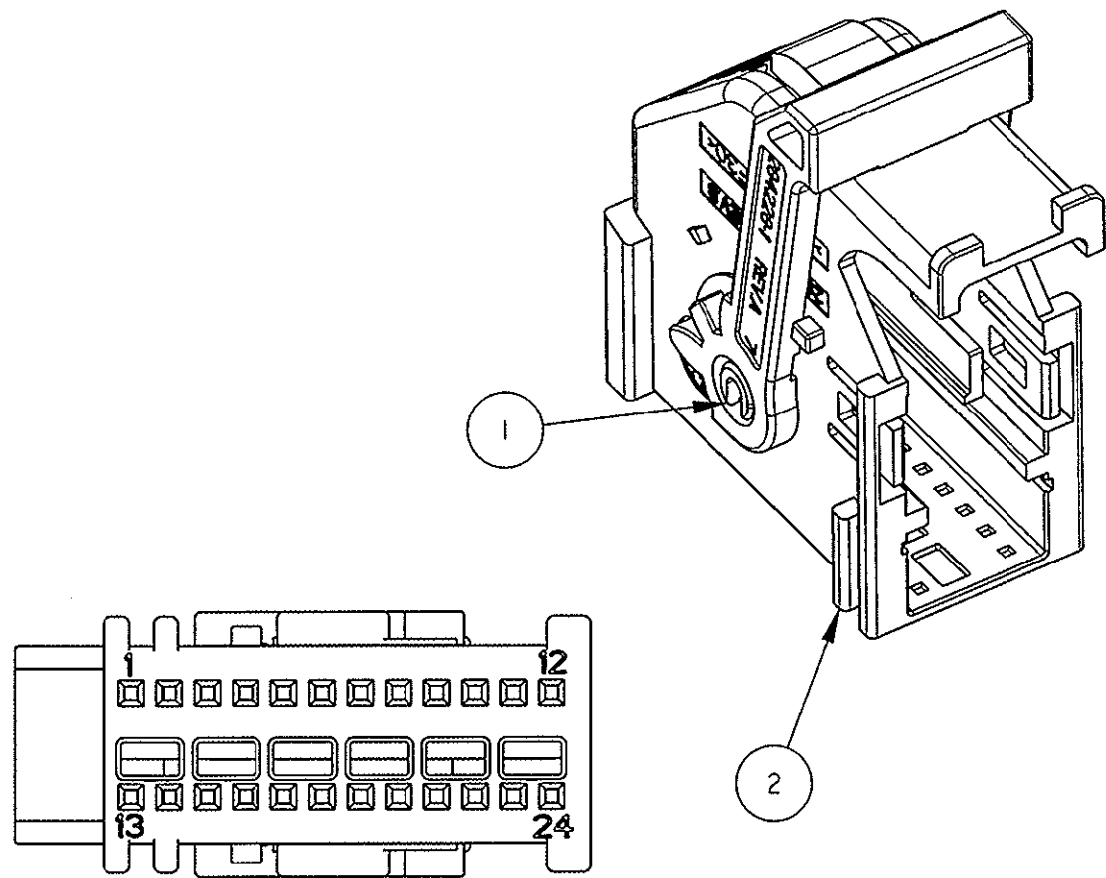
ITEM (VOCE)	DESCRIPTION (DESCRIZIONE)	MATERIAL (MATERIALE)	Q.TY (Q.TA')
1	LEVER (LEVA)	PA 66 GF COLOR GREEN (COLORE VERDE)	1
2	SHELL (CORAZZA)	PA 66 GF COLOR BLACK (COLORE NERO)	1

284714-2 AS SHOWN
(COME MOSTRATO)



<small>THIS DRAWING IS A CONTROLLED DOCUMENT FOR TYCO ELECTRONICS CORPORATION IT IS SUBJECT TO CHANGE AND THE CONTROLLING ENGINEERING ORGANIZATION SHOULD BE CONTACTED FOR THE LATEST REVISION.</small>		DWN M. BARBERIS 03MAY2001 CHK O. CANUTO 03MAY2001 APVD A. GENTA PRODUCT SPEC 108-20202 APPLICATION SPEC 114-15077	tyco Electronics tyco Electronics AMP Italia S.p.A. C.so F.lli Cervi, 15 Collegno (TO)
DIMENSIONS: mm 	TOLERANCES UNLESS OTHERWISE SPECIFIED: 0 PLC ±0.3 1 PLC ±0.2 2 PLC ±0.2 3 PLC ±. 4 PLC ±. ANGLES ±1°	NAME 24 POSITIONS AIRBAG SHELL WITH LEVER ASS'Y (CODE A)	SIZE A3 CAGE CODE 00779 DRAWING NO C-284714
MATERIAL SEE TABLE (VEDI TABELLA)	FINISH SEE TABLE (VEDI TABELLA)	WEIGHT - CUSTOMER DRAWING	RESTRICTED TO - SCALE 2:1 SHEET 1 OF 4 REV B

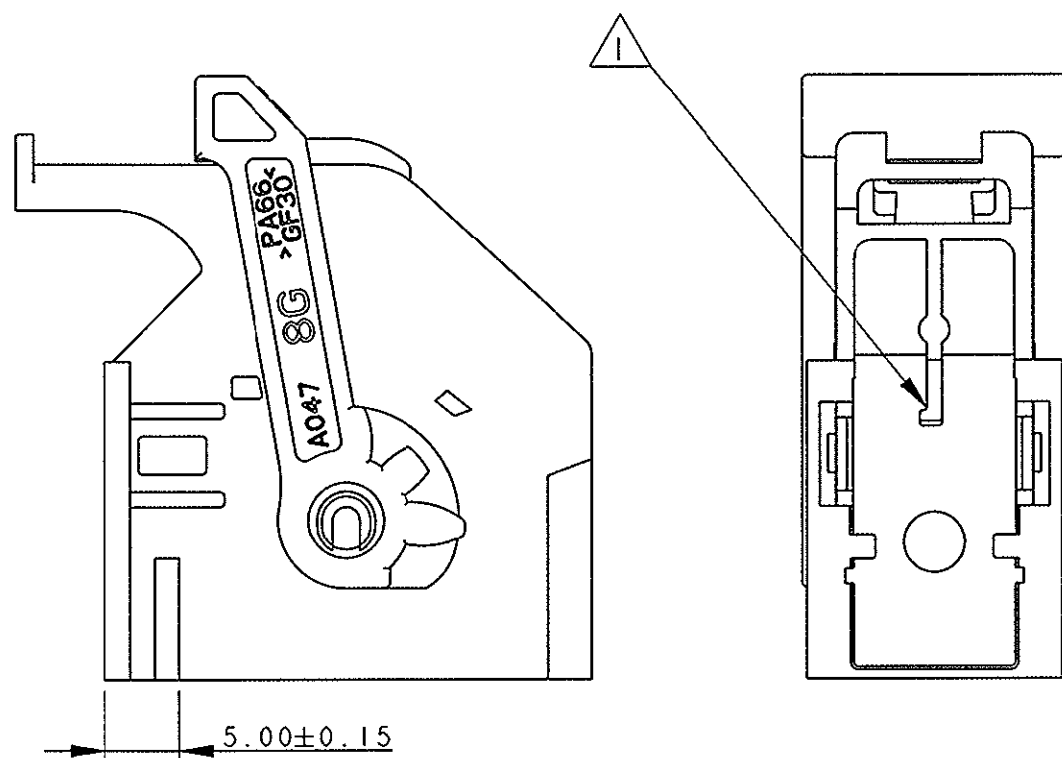
LOC	DIST	REVISIONS			
P	LTR	DESCRIPTION	DATE	OWN	APVD
		SEE SHEET 1 (VEDI FOGLIO 1)			



ITEM (VOCE)	DESCRIPTION (DESCRIZIONE)	MATERIAL (MATERIALE)	Q.TY (Q.TA')
1	LEVER (LEVA)	PA 66 GF COLOR GREEN (COLORE VERDE)	1
2	SHELL (CORAZZA)	PA 66 GF COLOR GRAY (COLORE GRIGIO)	1

NOTES (NOTE)

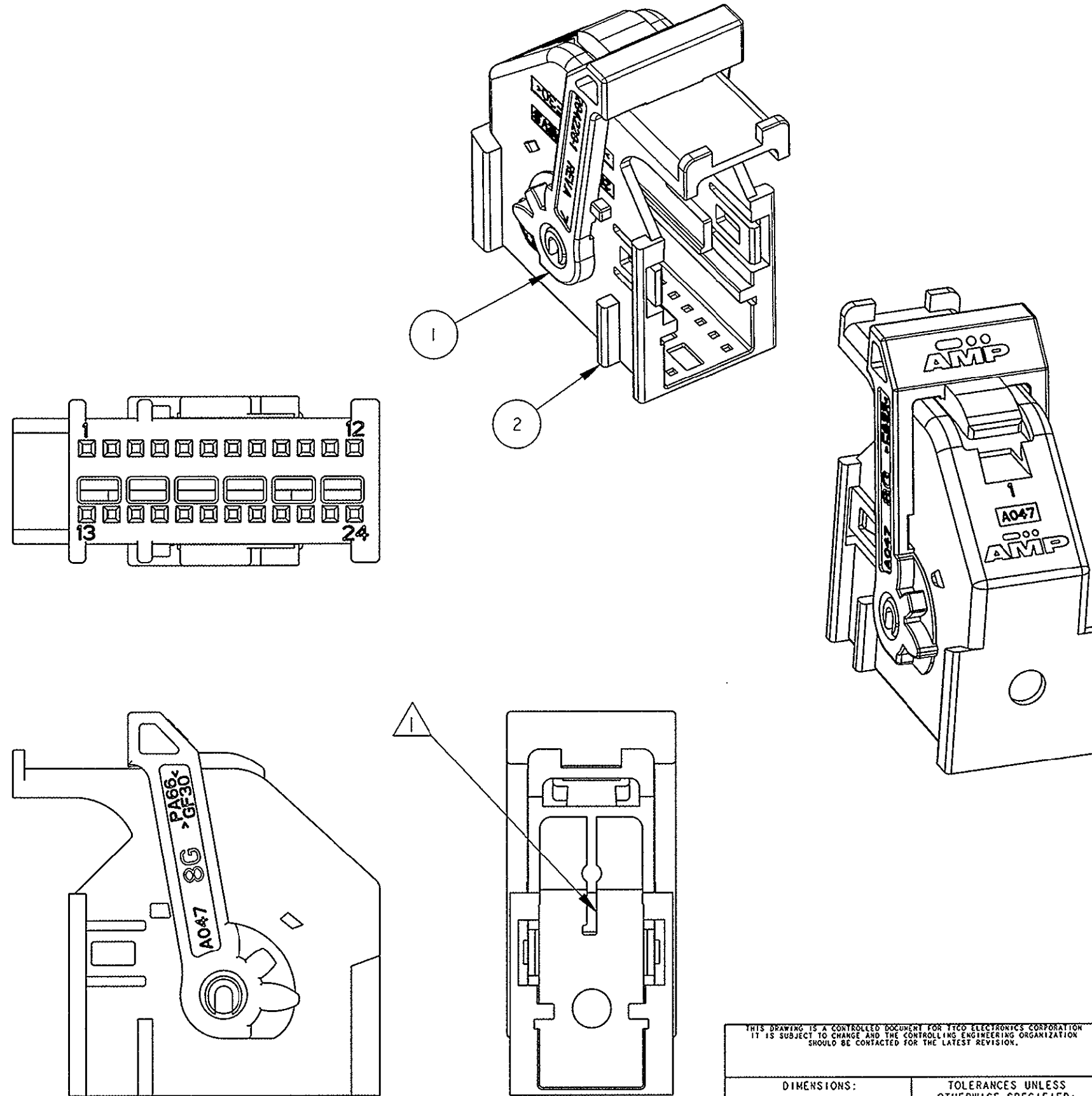
- 1) SLOT SUITABLE FOR HOUSING P/N 284224-1 (CAVITA' ADATTA PER L'HOUSING P/N 284224-1)
- 2) FOR MISSING NOTES AND DIMENSIONS SEE P/N 284714-2, SHEET 1 OF 4 (PER LE NOTE E LE QUOTE MANCANTI VEDERE P/N 284714-2, FOGLIO 1 DI 4)
- 3) PRODUCT SUITABLE FOR PIN HEADER 24+24 POSITIONS CODE TYPE B, P/N 953621-... OR PIN HEADER 24+32 POSITIONS KEY GEOMETRY AB_Ab, P/N 1355737-... (IL PRODOTTO E' ADATTO PER IL PIN HEADER 24+24 POSITION CODE TYPE B, P/N 953621-... O PER IL PIN HEADER 24+32 POSITION KEY GEOMETRY AB_Ab, P/N 1355737-...)



284714-1 AS SHOWN
(COME MOSTRATO)

<small>THIS DRAWING IS A CONTROLLED DOCUMENT FOR TYCO ELECTRONICS CORPORATION IT IS SUBJECT TO CHANGE AND THE CONTROLLING ENGINEERING ORGANIZATION SHOULD BE CONTACTED FOR THE LATEST REVISION.</small>		DWN M. BARBERIS 03MAY2001 CHK O. CANUTO 03MAY2001	tyco tyco Electronics AMP Italia S.p.A. Electronics C.so F.lli Cervi, 15 Collegno (TO)	
DIMENSIONS: mm	TOLERANCES UNLESS OTHERWISE SPECIFIED: 0 PLC ±0.3 1 PLC ±0.2 2 PLC ±0.2 3 PLC ± 4 PLC ± ANGLES ±°	APVD A. GENTA PRODUCT SPEC 108-20202 APPLICATION SPEC 114-15077	NAME 24 POSITIONS AIRBAG SHELL WITH LEVER ASS.Y (CODE B)	
MATERIAL SEE TABLE (VEDI TABELLA)	FINISH SEE TABLE (VEDI TABELLA)	WEIGHT -	SIZE A3 CAGE CODE 00779 DRAWING NO C-284714	RESTRICTED TO -
CUSTOMER DRAWING			SCALE 2:1	SHEET 2 OF 4 REV B

P	LTR	DESCRIPTION	DATE	DWN	APVD
		SEE SHEET 1 (VEDI FOGLIO 1)			



ITEM (VOCE)	DESCRIPTION (DESCRIZIONE)	MATERIAL (MATERIALE)	Q.TY (Q.TA')
1	LEVER (LEVA)	PA 66 GF COLOR GREEN (COLORE VERDE)	1
2	SHELL (CORAZZA)	PA 66 GF COLOR BROWN (COLORE MARRONE)	1

NOTES (NOTE)

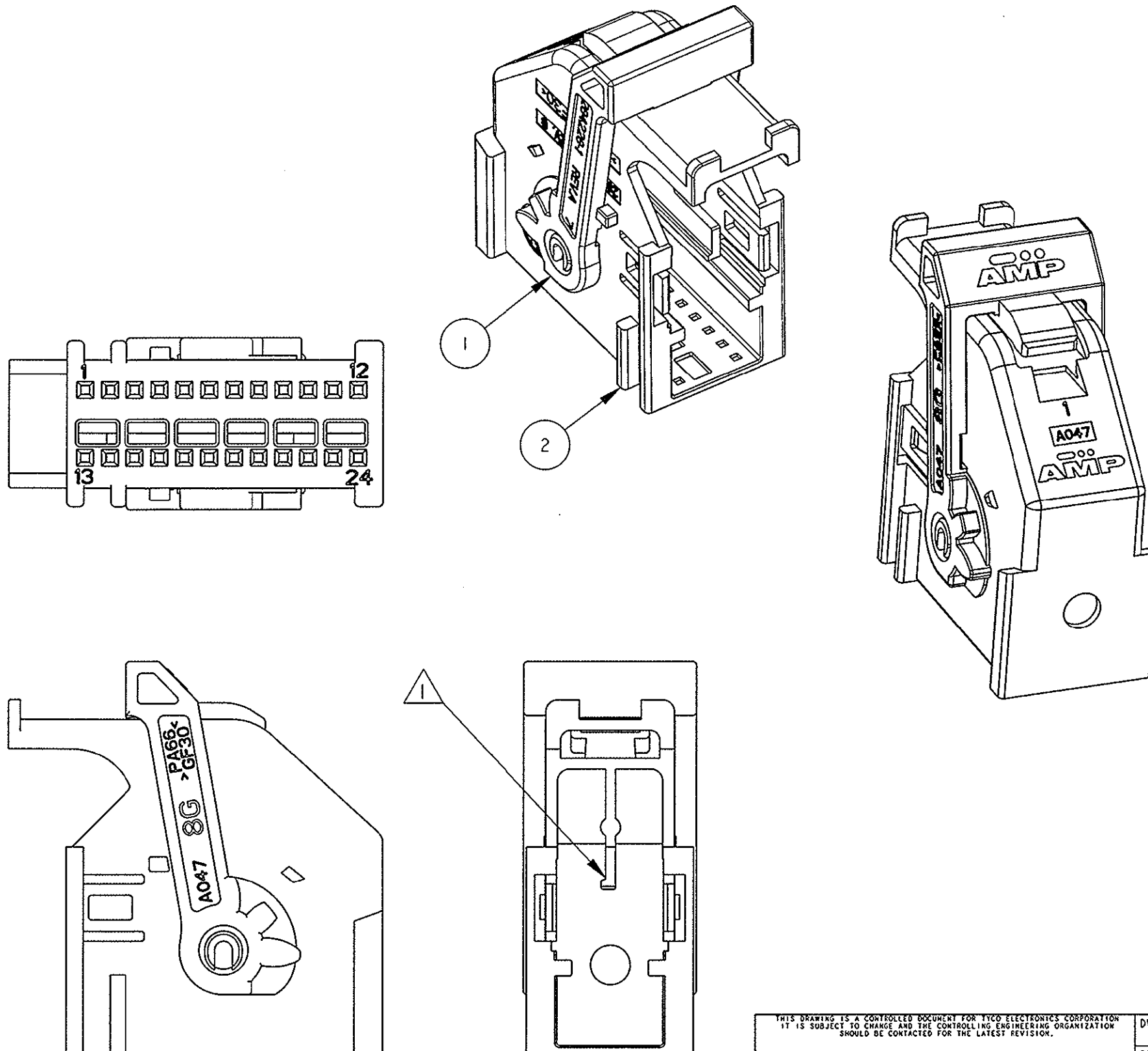
- ⚠ SLOTT SUITABLE FOR HOUSING P/N 284224-5
(CAVITA' ADATTA PER L'HOUSING P/N 284224-5)
- 2) FOR MISSING NOTES AND DIMENSIONS SEE P/N 284714-2, SHEET 1 OF 4
(PER LE NOTE E LE QUOTE MANCANTI VEDERE P/N 284714-2, FOGLIO 1 DI 4)
- 3) PRODUCT SUITABLE FOR PIN HEADER 24+24 POSITIONS
CODE TYPE C, P/N 953621-...
(IL PRODOTTO E' ADATTO PER IL PIN HEADER 24+24 POSITION CODE TYPE C, P/N 953621-...)

284714-3 AS SHOWN
(COME MOSTRATO)

8.70±0.15

<small>THIS DRAWING IS A CONTROLLED DOCUMENT FOR TYCO ELECTRONICS CORPORATION IT IS SUBJECT TO CHANGE AND THE CONTROLLING ENGINEERING ORGANIZATION SHOULD BE CONTACTED FOR THE LATEST REVISION.</small>		DWN 03MAY2001 M. BARBERIS CHK 03MAY2001 O. CANUTO APVD - A. GENTA PRODUCT SPEC 108-20202 APPLICATION SPEC 114-15077 WEIGHT -		tyco Electronics tyco Electronics AMP Italia S.p.A. C.sp F.lli Cervi, 15 Collegno (TO)	
DIMENSIONS: mm 		TOLERANCES UNLESS OTHERWISE SPECIFIED: 0 PLC ±0.3 1 PLC ±0.2 2 PLC ±0.2 3 PLC ± 4 PLC ± ANGLES ±1°		NAME 24 POSITIONS AIRBAG SHELL WITH LEVER ASS'Y (CODE C)	
MATERIAL SEE TABLE (VEDI TABELLA) FINISH SEE TABLE (VEDI TABELLA)		SIZE A3 CAGE CODE 00779 DRAWING NO C-284714		RESTRICTED TO -	
CUSTOMER DRAWING				SCALE 2:1 SHEET 3 OF 4 REV B	

P	LTR	DESCRIPTION	DATE	DWN	APVD
		SEE SHEET 1 (VEDI FOGLIO 1)			



ITEM (VOCE)	DESCRIPTION (DESCRIZIONE)	MATERIAL (MATERIALE)	Q.TY (Q.TA')
1	LEVER (LEVA)	PA 66 GF COLOR GREEN (COLORE VERDE)	1
2	SHELL (CORAZZA)	PA 66 GF COLOR BLUE (COLORE BLU)	1

NOTES (NOTE)

- 1) SLOT SUITABLE FOR HOUSING P/N 284224-6 (CAVITA' ADATTA PER L'HOUSING P/N 284224-6)
- 2) FOR MISSING NOTES AND DIMENSIONS SEE DRAWING P/N 284714-2, SHEET 1 OF 4 (PER LE NOTE E LE QUOTE MANCANTI VEDERE DISEGNO P/N 284714-2, FOGLIO 1 DI 4)
- 3) PRODUCT SUITABLE FOR PIN HEADER 24+24 POSITIONS CODE TYPE D, P/N 953621-... OR PIN HEADER 24+32 POSITIONS KEY GEOMETRY AD_Ad, P/N 1355737-... (IL PRODOTTO E' ADATTO PER IL PIN HEADER 24+24 POSITION CODE TYPE D, P/N 953621-... O PER IL PIN HEADER 24+32 POSITION KEY GEOMETRY AD_Ad, P/N 1355737-...)

284714-4 AS SHOWN
(COME MOSTRATO)

<small>THIS DRAWING IS A CONTROLLED DOCUMENT FOR TYCO ELECTRONICS CORPORATION IT IS SUBJECT TO CHANGE AND THE CONTROLLING ENGINEERING ORGANIZATION SHOULD BE CONTACTED FOR THE LATEST REVISION.</small>		DWN M. BARBERIS 03MAY2001 CHR O. CANUTO 03MAY2001 APVD A. GENTA PRODUCT SPEC 108-20202 APPLICATION SPEC 114-15077 WEIGHT -	tyco Electronics tyco Electronics AMP Italia S.p.A. C.so F.lli Cervi, 15 Collegno (TO)
DIMENSIONS: mm 	TOLERANCES UNLESS OTHERWISE SPECIFIED: 0 PLC ±0.3 1 PLC ±0.2 2 PLC ±0.2 3 PLC ± 4 PLC ± ANGLES ±1°	NAME 24 POSITIONS AIRBAG SHELL WITH LEVER ASS'Y (CODE D)	
MATERIAL SEE TABLE (VEDI TABELLA)	FINISH SEE TABLE (VEDI TABELLA)	SIZE A3	CAGE CODE 00779 DRAWING NO C=284714 RESTRICTED TO -
CUSTOMER DRAWING		SCALE 2:1	SHEET 4 OF 4 REV B