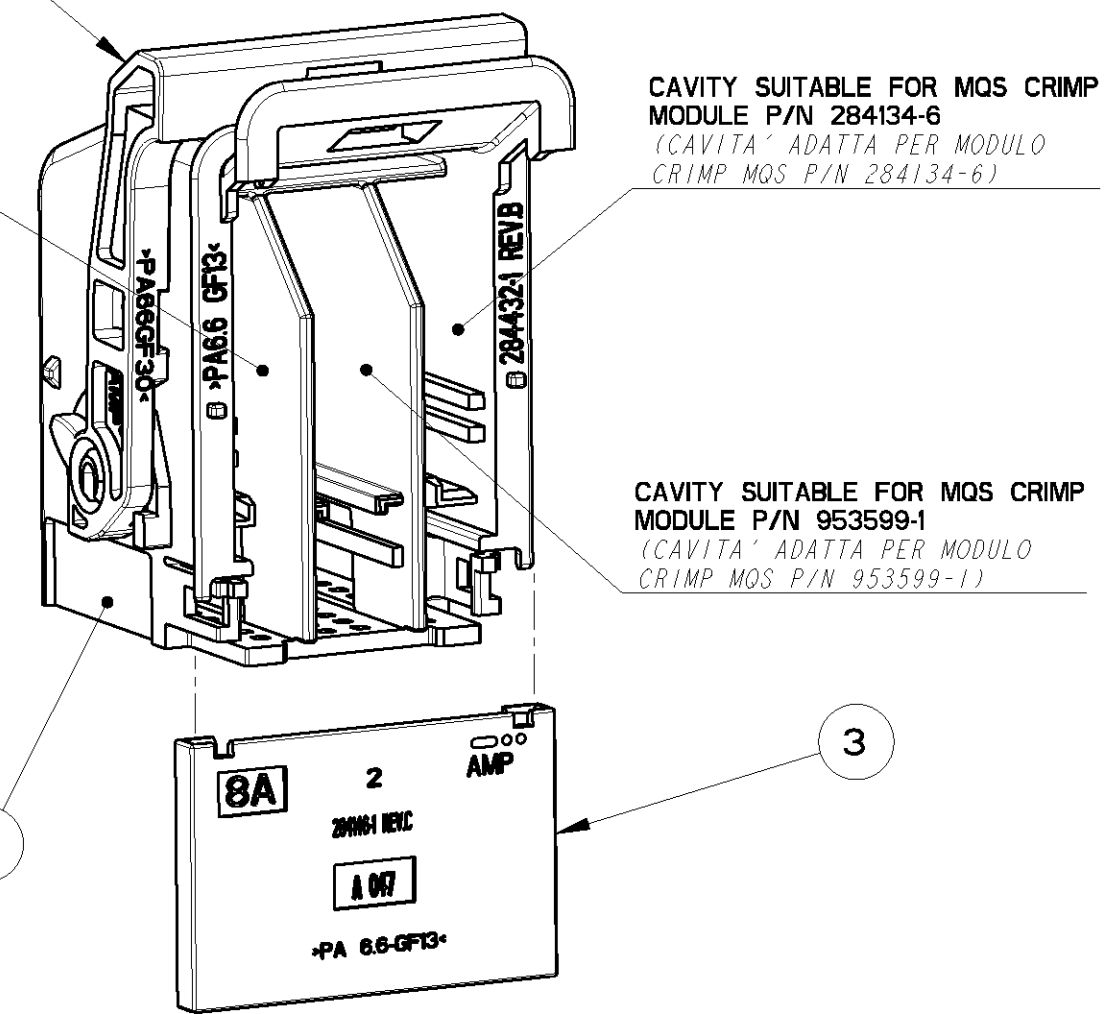
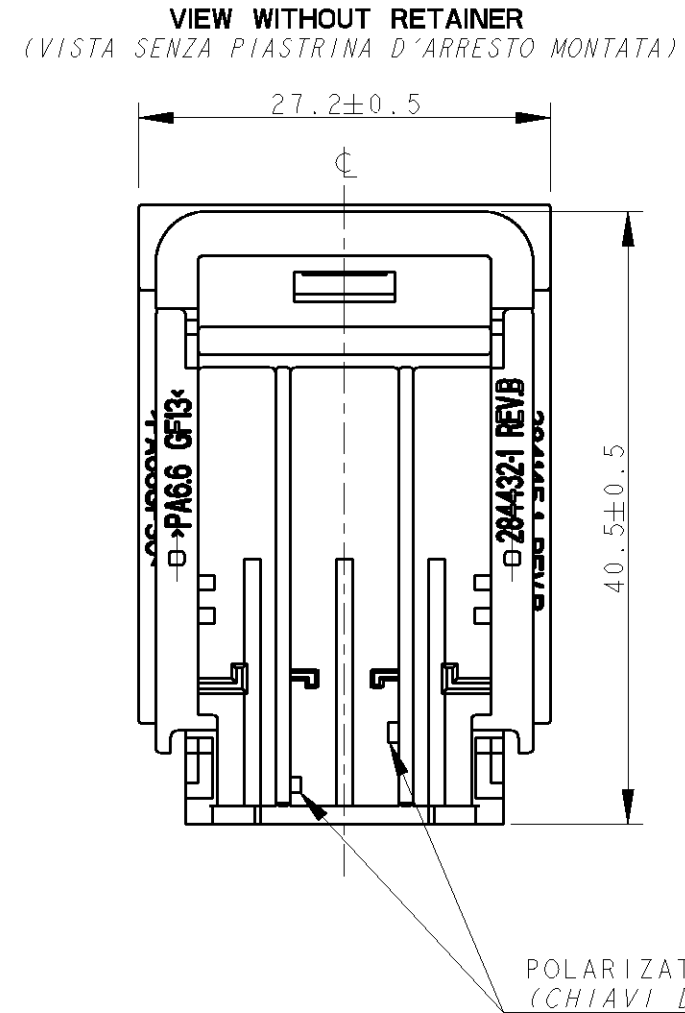
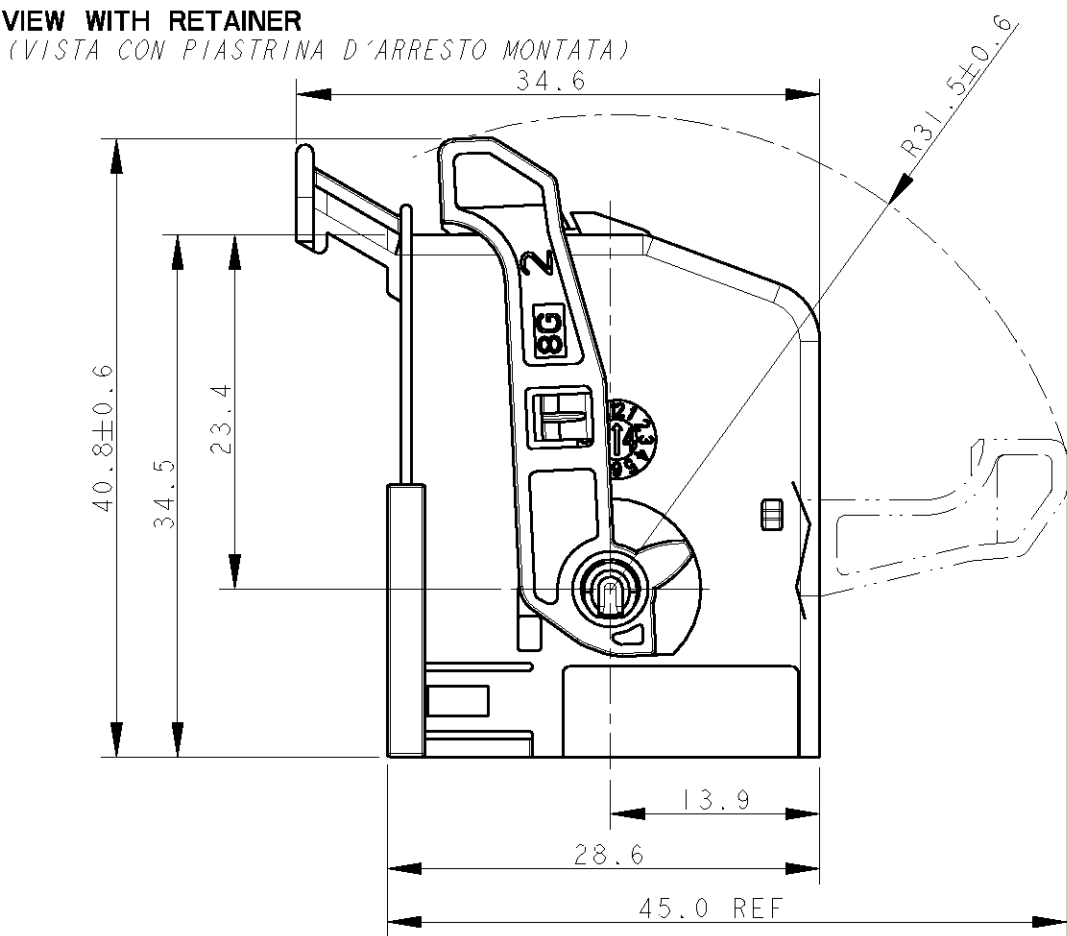
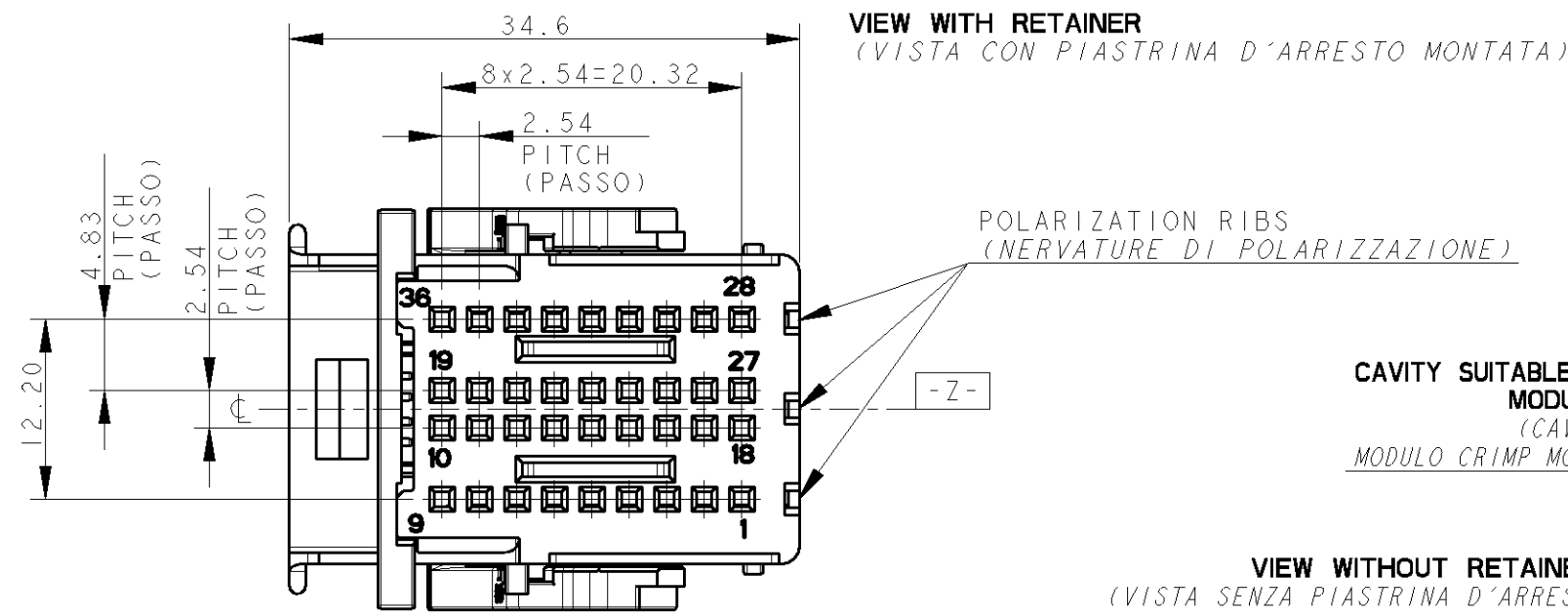


THIS DRAWING IS UNPUBLISHED. QUESTO DISEGNO NON DEVE ESSERE DIVULGATO O RIPRODOTTO. RELEASED FOR PUBLICATION. E' CONSENTITA LA DIVULGAZIONE. .19
 BY AMP INCORPORATED. ALL RIGHTS RESERVED. TUTTI I DIRITTI SONO RISERVATI.

LOC	DIST	REVISIONS			
P	LTR REV	DESCRIPTION DESCRIZIONE	DATE DATA	DWN DIS.	APVD APP.
		A	FIRST ISSUE ET00-0101-00	29MAR00	F.C. O.C.
		A1	RELEASED FOR PRODUCTION ET00-0187-01	25JUL01	F.A. O.C.
		A2	REVISED PER ET00-0238-01	08OCT01	M.G. O.C.
		A3	UPDATED (ET00-0061-04)	05APR04	F.A. O.C.
		B	IMPROVED LOCKING ECR-07-002234	30MAR2007	M.S. O.C.



- 1) THE FRAME IS SUPPLIED WITH LEVER IN CLOSED POSITION AND RETAINER NOT ASSEMBLED
(LA CORAZZA E' FORNITA CON LEVA IN POSIZIONE CHIUSA E PIASTRINA D'ARRESTO NON MONTATA)
- 2) SUITABLE FOR MATING WITH HEADERS P/Ns 284520-1, 284317-1 AND 284317-2 (ADATTO PER ACCOPPIAMENTO SU HEADERS P/N 284520-1, 284317-1 E 284317-2)

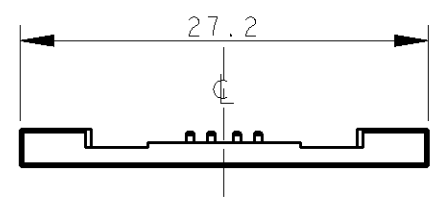
P/N 284438-1 AS SHOWN
(P/N 284438-1 COME INDICATO)

ITEM	DESCRIPTION (DESCRIZIONE)	MATERIAL (MATERIALE)	COLOUR (COLORE)	Q.TY (Q.TA')
1	SHELL 36 POS. (CORAZZA 36 VIE)	PA6.6-G.F.	BLUE (BLU)	1
2	LEVER (LEVA)	PA6.6-G.F.	RED (ROSSO)	1
3	RETAINER (PIASTRINA D'ARRESTO)	PA6.6-G.F.	BLACK (NERO)	1

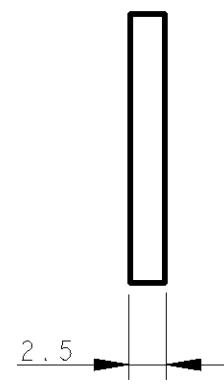
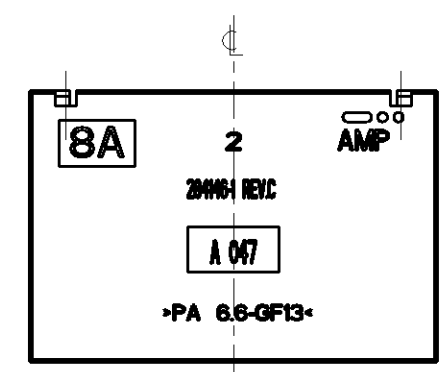
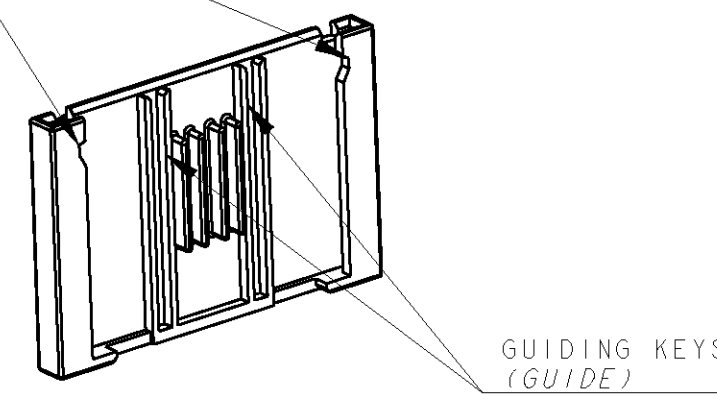
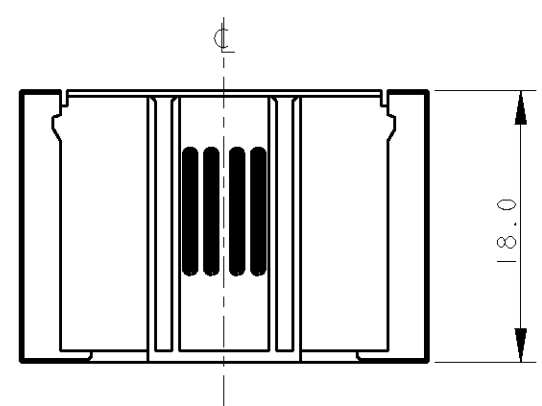
THIS DRAWING IS A CONTROLLED DOCUMENT FOR AMP INCORPORATED. IT IS SUBJECT TO CHANGE AND THE CONTROLLING ENGINEERING ORGANIZATION SHOULD BE CONTACTED FOR THE LATEST REVISION. QUESTO DISEGNO E' UN DOCUMENTO DI PROPRIETA' E RESPONSABILITA' DELL'AMP INCORPORATED. E' SOGGETTO A VARIAZIONI. PER OTTENERE L'ULTIMA REVISIONE DEL DISEGNO CONTATTARE L'UFFICIO TECNICO RESPONSABILE.		DWN/DIS. 29MAR2000 F. CRESSEVICH CHK/CONT. 29MAR2000 O. CANUTO APVD/APP. 29MAR2000 A. GENTA	AMP AMP Italia S.p.A. C.so F.lli Cervi 15 Collegno (TO)	
DIMENSIONS: DIMENSIONI: mm 	TOLERANCES UNLESS OTHERWISE SPECIFIED: TOLLERANZE: SE NON DIVERSAMENTE SPECIFICATO 0 PLC/DEC ±0.3 1 PLC/DEC ±0.3 2 PLC/DEC ±0.3 3 PLC/DEC ± 4 PLC/DEC ± ANGLES/ANGOLI ±2°	NAME: 36 POS. FRAME ASS'Y CRIMP 2.54 mm PITCH (CORAZZA) SIZE: A3 CAGE CODE: 00779 DRAWING NO: C-284438	PRODUCT SPEC SPEC DI PRODOTTO APPLICATION SPEC SPEC DI APPLICAZIONE	SCALE: 2:1 SHEET: 1 OF 2 REV: B
MATERIAL: SEE TABLE (VED. TABELLA) FINISH: SEE TABLE (VED. TABELLA)	WEIGHT: CUSTOMER DRAWING PESO: DISEGNO PER CLIENTE SOLO PER RIFERIMENTO			

THIS DRAWING IS UNPUBLISHED. RELEASED FOR PUBLICATION .19 .
 © COPYRIGHT 19 BY AMP INCORPORATED. ALL RIGHTS RESERVED.

LOC	DIST	REVISIONS					
		P	LTR	DESCRIPTION	DATE	DWN	APVD
1	-	-	-	SEE SHEET 1	-	-	-



SIDE WAY LOCKING LANCES
(CHIUSURE LATERALI)



<small>THIS DRAWING IS A CONTROLLED DOCUMENT FOR AMP INCORPORATED. IT IS SUBJECT TO CHANGE AND THE CONTROLLING ENGINEERING ORGANIZATION SHOULD BE CONTACTED FOR THE LATEST REVISION.</small>		DWN 29MAR2000 F. CRESSEVICH CHK 29MAR2000 O. CANUTO APVD 29MAR2000 A. GENTA	AMP AMP Italia S.p.A. C.so F.lli Cervi 15 Collegno (TO)
DIMENSIONS: mm 	TOLERANCES UNLESS OTHERWISE SPECIFIED: 0 PLC ±0.3 1 PLC ±0.3 2 PLC ±0.3 3 PLC ± 4 PLC ± ANGLES ±2°	PRODUCT SPEC SEE SHEET 1/2 - (VED. FOGLIO 1/2) APPLICATION SPEC SEE SHEET 1/2 - (VED. FOGLIO 1/2)	NAME 36 POS. FRAME ASS'Y CRIMP 2.54 mm PITCH - RETAINER (PIASTRINA D'ARRESTO)
MATERIAL SEE SHEET 1/2 (VED. FOGLIO 1/2)	FINISH SEE SHEET 1/2 (VED. FOGLIO 1/2)	WEIGHT - CUSTOMER DRAWING	SIZE A3 CAGE CODE 00779 DRAWING NO. C-284438 SCALE 2:1 SHEET 2 OF 2 REV B