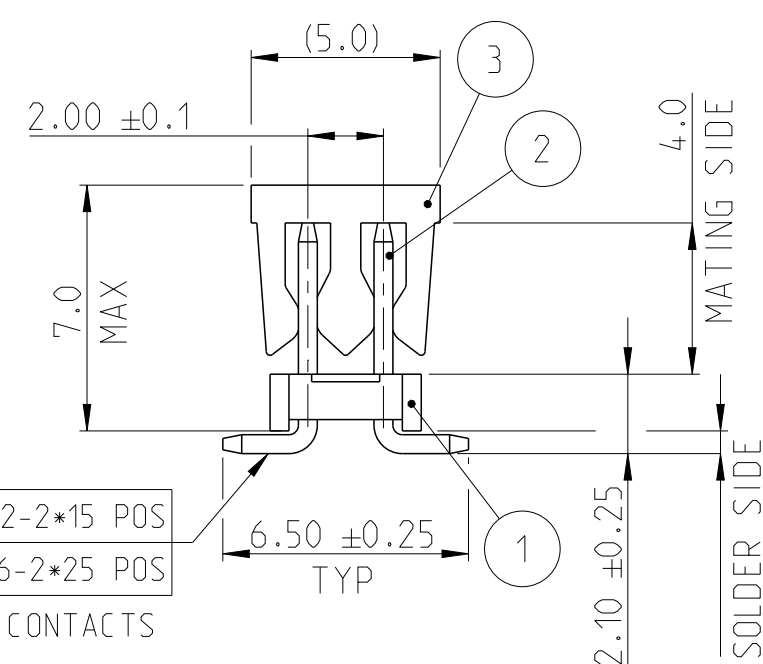
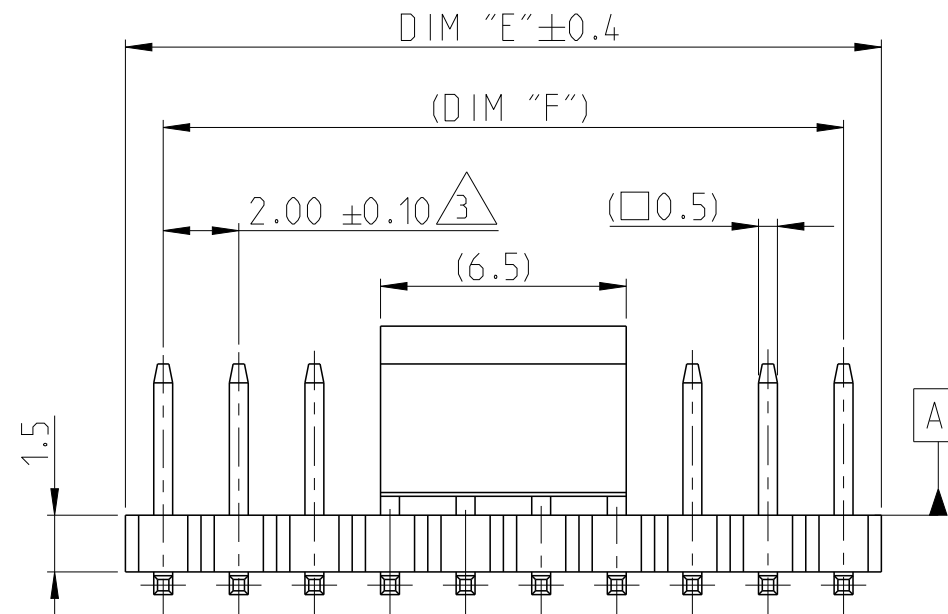


P	LTR	DESCRIPTION	DATE	DWN	APVD
A		PRODUCTION RELEASE	30AUG2019	SS	PS
A1		REMOVED TOLERANCE FROM DIM F	17DEC2019	AY	PS
A2		PARTS OBSOLESCENCE	22JUN2023	BGC	PS

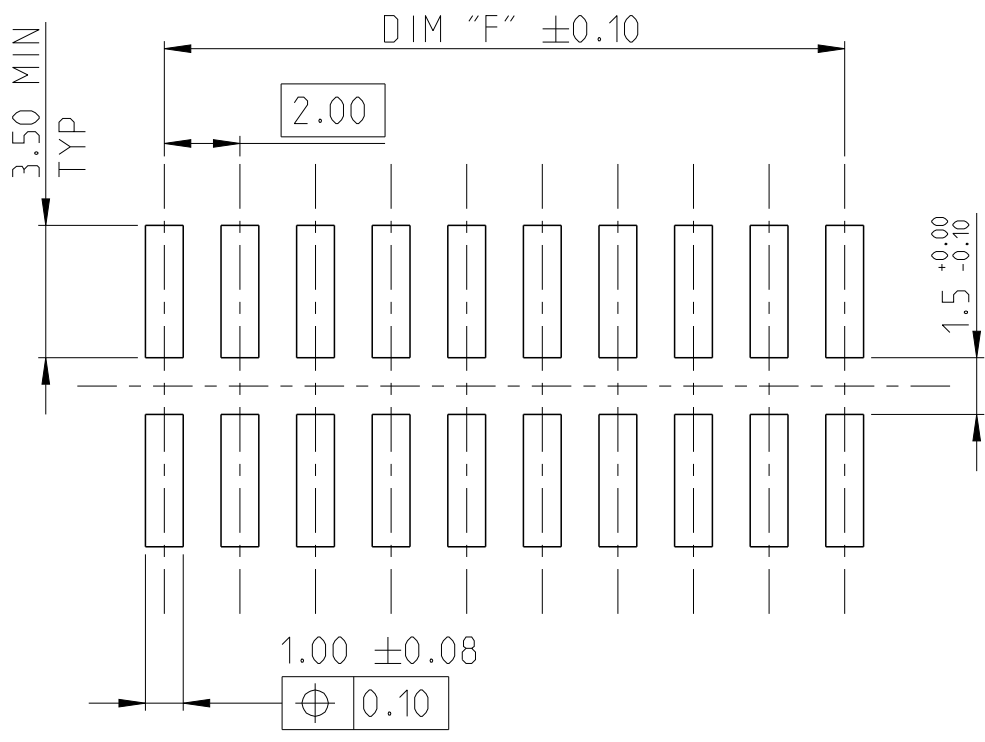
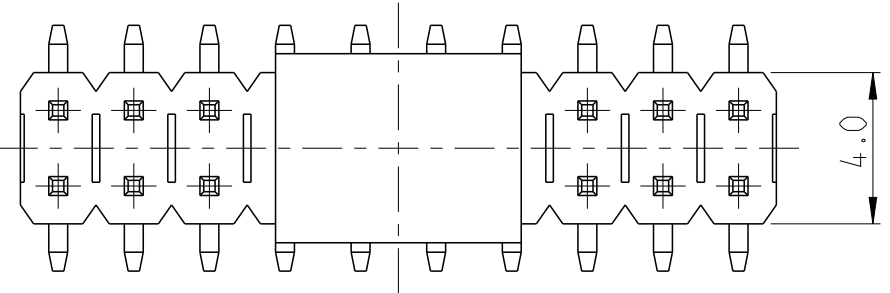


	0.10	A	2*02-2*15 POS
	0.15	A	2*16-2*25 POS

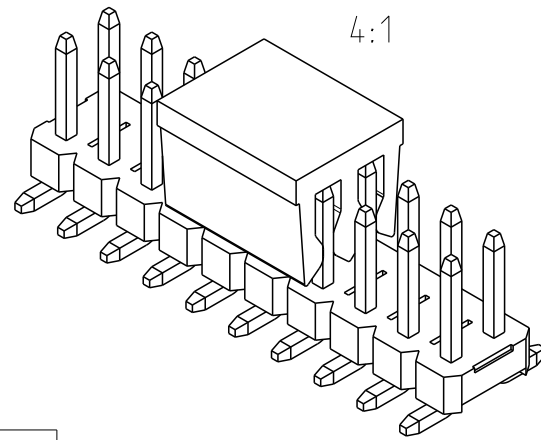
ALL CONTACTS

NOTES:

- MATERIAL  
HOUSING & P&P CAP : HIGH TEMPERATURE THERMOPLASTIC, UL94-V0; COLOR- BLACK  
CONTACT PIN : COPPER ALLOY  
FINISH :  
MATING SIDE : MIN. 0.76 μm GOLD OVER NICKEL UNDER PLATING.  
SOLDER SIDE : MIN. 2.0 μm BRIGHT TIN OVER NICKEL UNDER PLATING.
- PACKAGING: TAPE AND REEL (WITH PICK AND PLACE CAP).
- TOLERANCE NOT CUMULATIVE.
- CUTTING BURR MAX. 0.25 mm



RECOMMENDED PCB PATTERN



DIM "F"	DIM "E"	POS PER ROW	TE PN
46.0	48.0	24	2-2842144-4
44.0	46.0	23	2-2842144-3
42.0	44.0	22	2-2842144-2
40.0	42.0	21	2-2842144-1
38.0	40.0	20	2-2842144-0
36.0	38.0	19	1-2842144-9
34.0	36.0	18	1-2842144-8
32.0	34.0	17	1-2842144-7
30.0	32.0	16	1-2842144-6
28.0	30.0	15	1-2842144-5
26.0	28.0	14	1-2842144-4
24.0	26.0	13	1-2842144-3
22.0	24.0	12	1-2842144-2
20.0	22.0	11	1-2842144-1
18.0	20.0	10	1-2842144-0
16.0	18.0	9	2842144-9
14.0	16.0	8	2842144-8
12.0	14.0	7	2842144-7
10.0	12.0	6	2842144-6
8.0	10.0	5	2842144-5
6.0	8.0	4	2842144-4
4.0	6.0	3	2842144-3
2.0	4.0	2	2842144-2

1-2842144-0 AS SHOWN

PICK AND PLACE CAP	3
CONTACT PIN	2
HOUSING	1
DESCRIPTION	ITEM NO.

THIS DRAWING IS A CONTROLLED DOCUMENT.		DWN	09AUG2019
		CHK	13AUG2019
		APVD	14AUG2019
		PRODUCT SPEC	108-64040
		APPLICATION SPEC	114-32259
		WEIGHT	-
MATERIAL SEE NOTES		FINISH SEE NOTES	

TE Connectivity			
NAME AMPMODU 2mm BREAKAWAY HEADER, DUAL ROW, VERTICAL SMD, 0.76Au TR, WITH PICK AND PLACE CAP			
SIZE	CAGE CODE	DRAWING NO	RESTRICTED TO
A3	00779	C=2842144	-
CUSTOMER DRAWING		SCALE	SHEET
		5:1	1 OF 1
		REV A2	